

Harrier 56 - Parts List

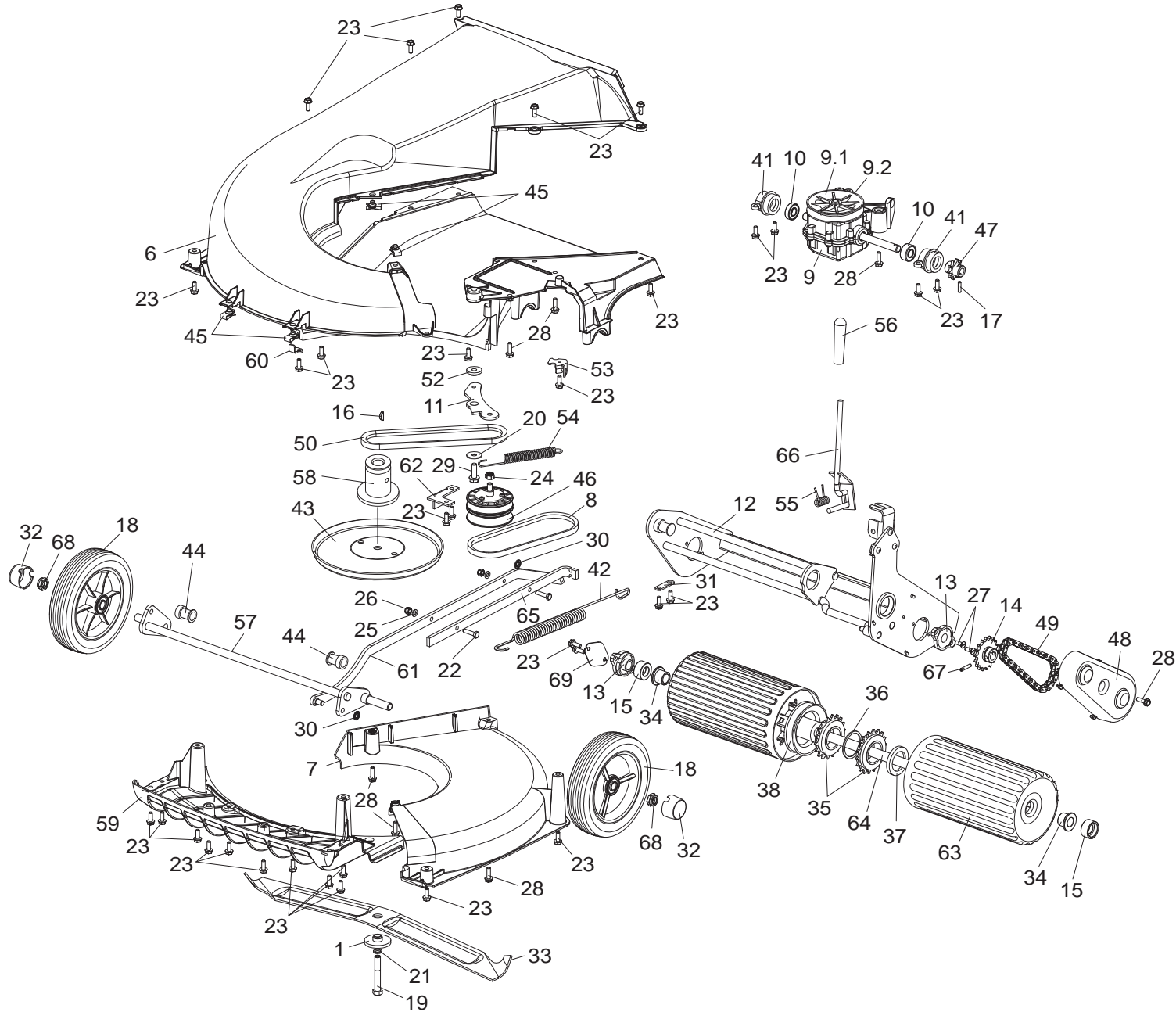
Original Version: EN

Issue : 02.10.13

Code: 561H

From Serial: 314000001 and up

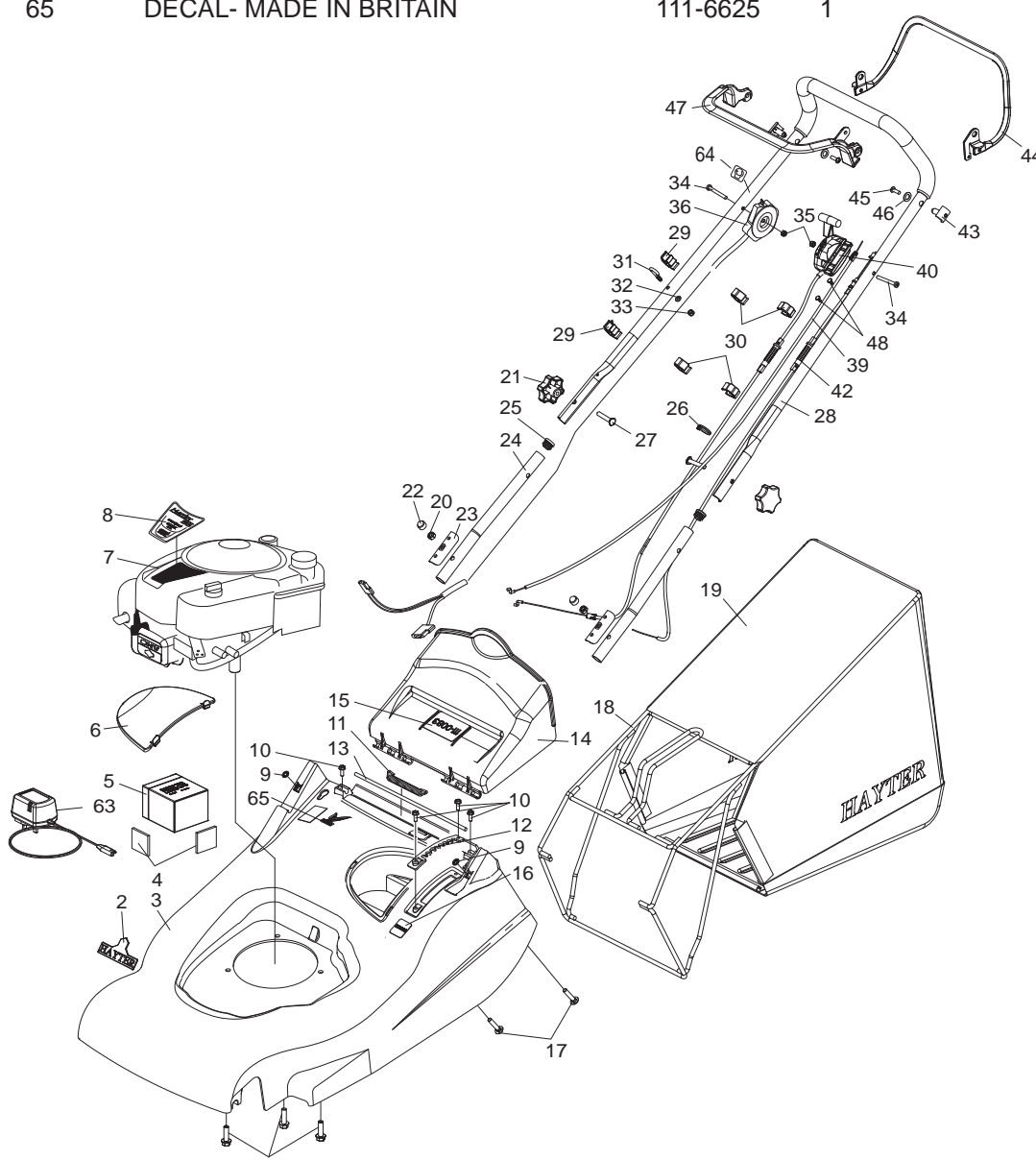
Lower Mainframe



Item No	Description	Part No.	QTY	Notes	Item No	Description	Part No.	QTY	Notes
01	DISTANCE PIECE CUTTERBAR	HY4014	1		35	ROLLER FREEWHEEL-ROCKET BRAND	340150	2	
06	UNDERDECK FIXED	560025	1		36	SPACER STEEL 49*41.5*2	340157	1	
07	UNDERDECK REMOVABLE	560026	1		37	LOCKNUT	340163	1	
08	V BELT Z502	111-1254	1		38	SHROUD - FREEWHEEL	340168	1	
09	GEARBOX VE4002	111-1273	1		41	HOUSING - PIVOT BEARING LH	410048	2	
9.1	GEARBOX PULLEY	111-1941	1		42	SPRING COUNTER BALANCE	410050	1	
9.2	GEARBOX PIN	411023	1		43	FRICITION DISC	410057W	1	
10	BEARING 63001-2RS	111-1276	2		44	BEARING FRONT AXLE	410069	2	
11	LEVER VARIABLE SPEED *H56*	111-1398	1		45	M6 LUG NUT	410076	4	
12	FRAME REAR ROLLER W/A *H56*	111-1485-03	1		46	PULLEY VARIATOR ASSEMBLY	411001	1	
13	ROLLER BEARING	111-1492	2		47	SPROCKET GEARBOX 10T*3/8"	411011	1	
14	18T SPROCKET	111-1552	1		48	COVER DRIVE	411013	1	
15	DUST COVER BUSH	111-1860	2		49	CHAIN 40 PITCHES 3/8" INC LINK	411016	1	
16	KEY WOODRUFF N DEG 505	1662	1		50	BELT VARIATOR 520	411024	1	
17	PIN ROLL DIA 3/16* 3/4	03997	1		52	BUSH PIVOT	411031	1	
18	WHEEL 180X45 RIBBED	111-1250	2		53	BRACKET CABLE	HY412003	1	
19	BOLT UNF 3/8*2.1/4	09122	1		54	SPRING VARIATOR	HY412004	1	
20	WASHER PLAIN 5/16*1*16G	09270	1		55	SPRING TORSION HOC GALVANISED	480132	1	
21	WASHER SPRING 3/8 SC	09273	1		56	KNOB HOC	480134	1	
22	SETSCREW M6*25	09364	2		57	FRONT AXLE W/A HARRIER 56	560008	1	
23	SCREW TAPTITE M6*16	09365	33		58	CARRIER BLADE BOSS MACHINED	560012	1	
24	NUT M8 NYL INSERT T TYPE	09441	1		59	FRONT FINS	560014	1	
25	WASHER PLAIN M6*12*1.6	09472	2		60	CLAMP UNDERDECK	560027	1	
26	NUT M6 NYLOC 'P' TYPE GD 8	09544	2		61	CONN ROD W/A	560028	1	
27	SCREW TAPTITE M6*16 C/SK POZI	09545	2		62	BRACKET CONN ROD	560029	1	
28	SCREW TAPTITE M6*20 WASHER	09575	7		63	ROLLER REAR W/A HARRIER 56	560031W	2	
29	SCREW TAPTITE M8*25 HEX W.HD	09787	1		64	ROLLER SHAFT WA *H56*	111-1717	1	
30	WASHER STARLOCK 5/16"	0201086	2		65	BAR SPRING TENSION	560037	1	
31	PLATE SECURING	219037	1		66	HOC LEVER W/A	560046	1	
32	HUB CAP	111-1251	2		67	PIN SELLOC SPRING 3/16**1 HD	HY03354	1	
33	CUTTERBAR	340015	1		68	NUT UNF 1/2"NYLOC EXT THIN5/16	HY4486	2	
34	OILITE BUSH ROLLER	340129	2		69	DUST COVER PLATE	111-1861	1	

Upper Mainframe

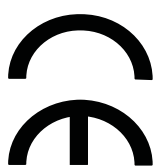
Item No	Description	Part No.	QTY	Notes	Item No	Description	Part No.	QTY	Notes
01	SCREW TAPTITE UNC 3/8**1 1/4"	09349	3		47	LEVER ENGINE	340179	1	
02	DECAL-HAYTER (LOGO (03))	410087	1		48	FASTENER DRIVE	300144	2	
03	DECK HARRIER **H56** (GREEN)	111-1723-08	1		57	LEAD, BATTERY	HY412014	1	NOT SHOWN
04	FOAM PAD TOP	HY412012	2		63	POWER SUPPLY ASM (TYPE FGHP5/H	HY412010	1	
05	BATTERY 12V	111-1926	1		64	DECAL - ENGINE START	111-5520	1	
06	COVER BATTERY	560015	1		65	DECAL- MADE IN BRITAIN	111-6625	1	
07	ENGINE B&S SERIES 850 PROFESSI	111-6620	1						
08	DECAL ENGINE HARRIER 56 (RS)	111-6656	1						
09	GRIP FIX EXT 5/16"	04020	2						
10	SCREW TAPTITE M6*16	09365	4						
11	SPRING DEFLECTOR	410030	1						
12	RATCHET HOC PLATE	560018	1						
13	ROD DEFLECTOR	560017	1						
14	REAR DEFLECTOR	111-1714	1						
15	DECAL - SAFETY PETROL	111-0083	1						
16	LABEL HEIGHT OF CUT	320006	1						
17	BOLT COACH M8*40 GRADE 8.8	09379	2						
18	FRAME GRASSBAG (BLACK)	111-1497-03	1						
19	GRASSBAG	111-1715	1						
20	NUT M8 NYL INSERT T TYPE	09441	2						
21	KNOB M8 HANDLEBAR 1515	480088	2						
22	CAP FOR M8 NUT BLACK	HY234051	2						
23	HANDLEBAR CLAMP PLATE	340028	2						
24	LOWER HANDLEBAR (BLACK)	111-1384-03	2						
25	PLUG TUBE 7/8**16g EP620/GL22	300160	2						
26	CABLE TIE	HY3966	1						
27	BOLT HANDLEBAR M8*45	HY226024	2						
28	HANDLEBAR UPPER MOULDED	111-0519	1						
29	GUIDE CABLE	HY412008	2						
30	GUIDE CABLE	410037	2						
31	GUIDE ROPE	305093	1						
32	WASHER PLAIN M6*12*1.6	09472	1						
33	NUT M6 NYLOC 'P' TYPE GD 8	09544	1						
34	SETSCREW M6*55 POSI PAN Z ANDP	09780	2						
35	NUT M6 NYLOC 'T' TYPE	09438	2						
36	SWITCH AND LOOM ASM H48/56 (RS	111-3155	1						
39	CABLE ENGINE BRAKE	111-0997	1						
39	CABLE ENGINE BRAKE - VS	560041	1						
40	CABLE VARIATOR	111-1194	1						
42	CABLE CLUTCH	111-1469	1						
43	PIN PIVOT	340182	2						
44	LEVER CLUTCH (BLACK)	111-1921-03	1						
45	SCREW DIA 6*20 PT PAN FLANGE	09687	2						
46	WASHER NYLON 19*11*1.6	09688	2						



Harrier 56 - Declaration Of Conformity

EC DECLARATION OF CONFORMITY

Manufactured by: HAYTER LIMITED,
 Address: Spellbrook, Bishop's Stortford, Herts. CM23 4BU. ENGLAND
 declare that the lawnmower :



Model name: **Harrier 56**
 Autodrive E/S V/S
 Type: Pedestrian rotary
 Model No: CODE 561
 Cutting width: 56 cm
 Speed of rotation of the cutting device: 2750 rpm
 Engine manufacturer: Briggs and Stratton
 Speed of rotation of engine: 2750 rpm
 Serial No. Range: 314000001 and up

Complies with the provisions of Directive: 2006/42/EC Essential Health & Safety Requirements Relating to the Design & Construction of Machinery and Safety Components and the regulations transposed into national law.

Also Directive 2004/108/EEC Electromagnetic Compatibility and the regulations transposed into national law.

Also Directive 2000/14/EC Noise emission in the environment by equipment for use outdoors, as amended and the regulations transposed into national law.

Procedure applied for the conformity assessment: ANNEX VI, procedure 1.

Notified Body: Sound Research Laboratories Ltd, Holbrook House, Little Waldingfield,

Sudbury, Suffolk. CO10 0TH. ENGLAND

Notified body identification No: 1088

Measured sound power level: 98 dB(A)

Guaranteed sound power level: 98 dB(A)

Signed

S.A. Maryniak
 (Technical Director)

Date: 18.09.13
 Declaration done and technical documentation kept at:
 HAYTER LIMITED
 Spellbrook, Bishop's Stortford,
 Herts. CM23 4BU ENGLAND

VIBRATION INFORMATION

Hand / Arm Vibration Level at the Operator Position measured in accordance with European Standard EN 836:

Measured Vibration Level ahv = 3 ms⁻²
 Uncertainty of measurement K = 1.5 ms⁻²

SOUND PRESSURE INFORMATION

Sound Pressure Level at the Operator Position measured in accordance with European Standard EN 836:
 Measured Sound Pressure Level LPA = 88 dB(A)
 Uncertainty of measurement K = 2 dB(A)

Serial No.