

# CONDOR

---

**RATCHET DRIVE**  
CODE 511N

## SPARE PARTS LIST

FROM SERIAL NO: 511N001022  
ISSUE 14/06/96

MANUAL PART NO: 511131 REV(.0.)

*EC 24/6/96*

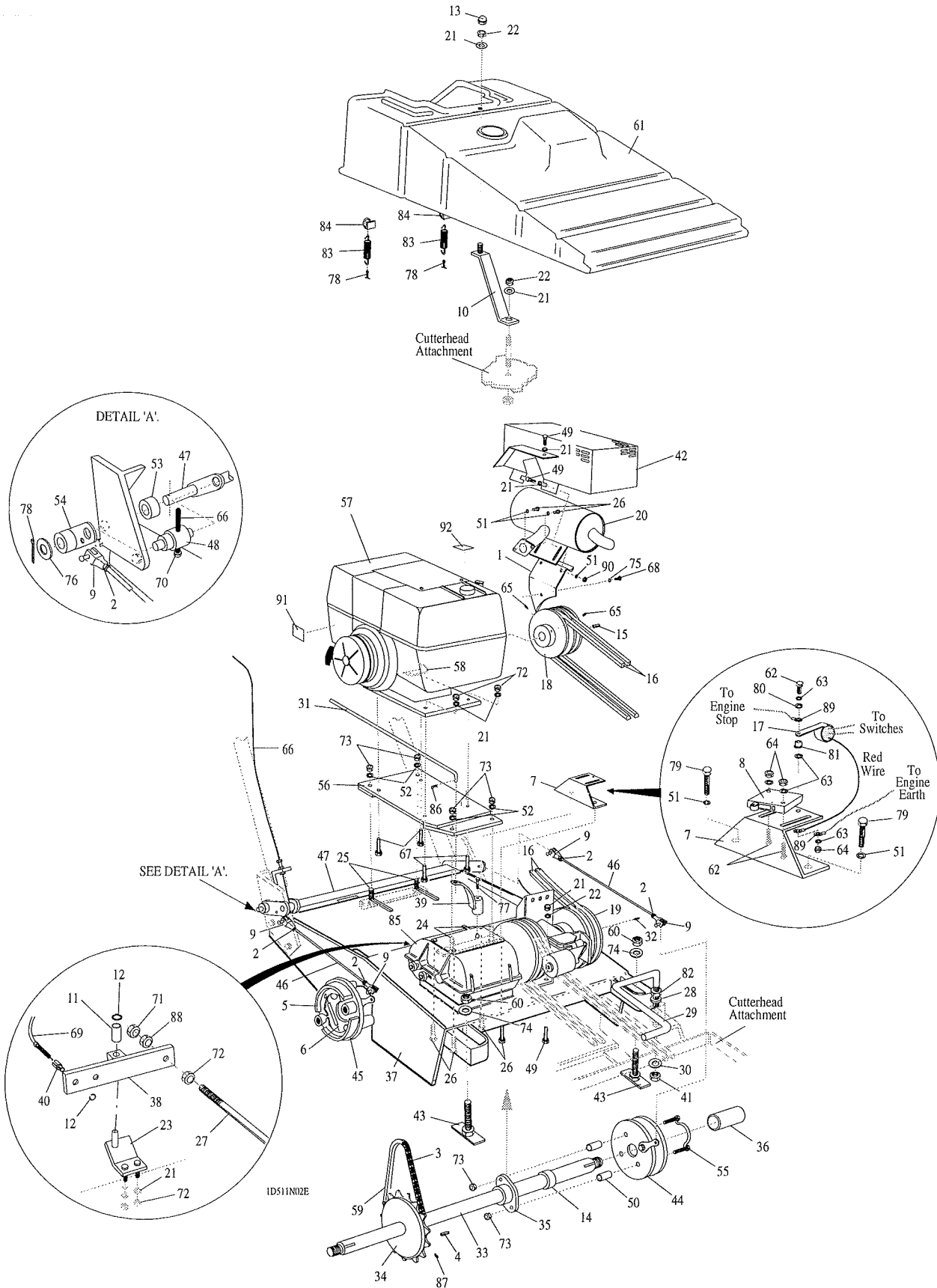
# CONTENTS

<b>Mainframe Assembly.</b>	1-2 - 1-5
<b>Controls.</b>	1-6 - 1-9
<b>Slipping Belt Clutch.</b>	1-10 - 1-11
<b>Transmission Assembly.</b>	1-12 - 1-13
<b>Wheel and Hub Assembly.</b>	1-14
<b>Bevel Gearbox Assembly.</b>	1.15
<b>Gearbox Assembly.</b>	1.16 - 1.17
<b>Rear Guarding.</b>	1.18

When ordering spare parts please give the following information.

PART NUMBER, DESCRIPTION AND QUANTITY REQUIRED.  
MACHINE TYPE, MODEL AND SERIAL NUMBER.

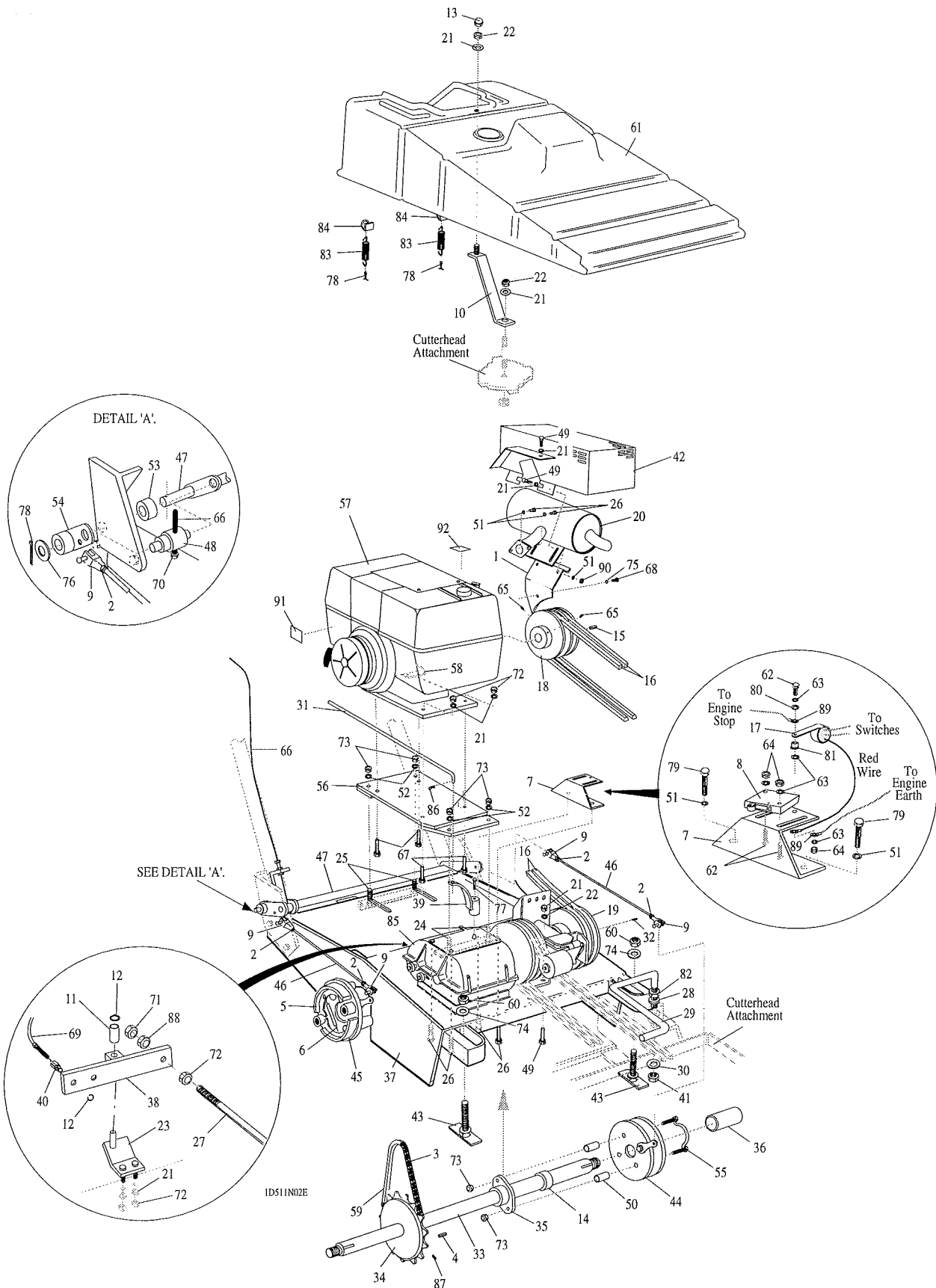
Use only HAYTER spare parts others may be dangerous and will invalidate the machine warranty.



see 206/96

ITEM NO	DESCRIPTION	PART NO.	QTY
1.	Silencer - Bracket.	251019	1
2.	Nut - 1/4" Plain.	09200	4
3.	Chain - 63 Link (includes item 59).	5865	1
4.	Key.	1652	1
5.	Shoe - Brake.	2160	4
6.	Spring.	2159	4
7.	Bracket - Microswitch.	511054	1
8.	Microswitch.	64-09-002	1
9.	Clevis and Pin.	2875	4
10.	Plate - Cover Securing.	511124	1
11.	Bush.	3064	2
12.	Circlip.	03096	2
13.	Cap - Nut.	234051	1
14.	Bearing.	3240	2
15.	Key.	3261	1
16.	Belt.	065065	1 Pair
17.	Control Module.	MU21361	1
18.	Pulley - Engine.	4230	1
19.	Pulley.	511030P	1
20.	Silencer.	208155	1
21.	Washer - M8 plain.	09475	11
22.	Nut - M8 Nyloc.	09442	6
23.	Bracket - Pivot.	4266	1
24.	Plate - Engine Securing ( Front ).	4269	1
25.	Plate - Engine Securing ( Rear ).	4270	1
26.	Setscrew - 5/16" UNC x 3/4" Lg Hex Hd.	101175	6
27.	Rod - Clutch Return.	511051	1
28.	Washer - M10 Lock.	09480	1
29.	Guide - Belt.	212228	1
30.	Washer - M10 Plain	09479	1
31.	Rod - Gear Shift.	5791	1
32.	Key.	4295	1
33.	Axle.	4655	1
34.	Sprocket - 48T.	4656	1
35.	Bearing Housing - Axle.	4657	2
36.	Spacer - Axle.	4661	2
37.	Frame - Engine Unit.	511010V	1
38.	Lever - Intermediate Clutch.	4664	1
39.	Shift - Gear.	511060	1
40.	Connector - Cable.	4666	1
41.	Nut - M10 Nyloc.	09447	1
42.	Guard - Exhaust W/A.	511075W	1
43.	Bolt - Securing.	4314	2
44.	Plate - Brake Back L.H.	4934	1
45.	Plate - Brake Back R.H.	4935	1
46.	Rod - Brake.	4936	2
47.	Countershaft - Brake.	4937	1
48.	Trunnion - Compensating.	4938	1
49.	Setscrew - M8 X 25 Lg Hex.Hd.	03162	4
50.	Spacer - Black Plate.	4940	4

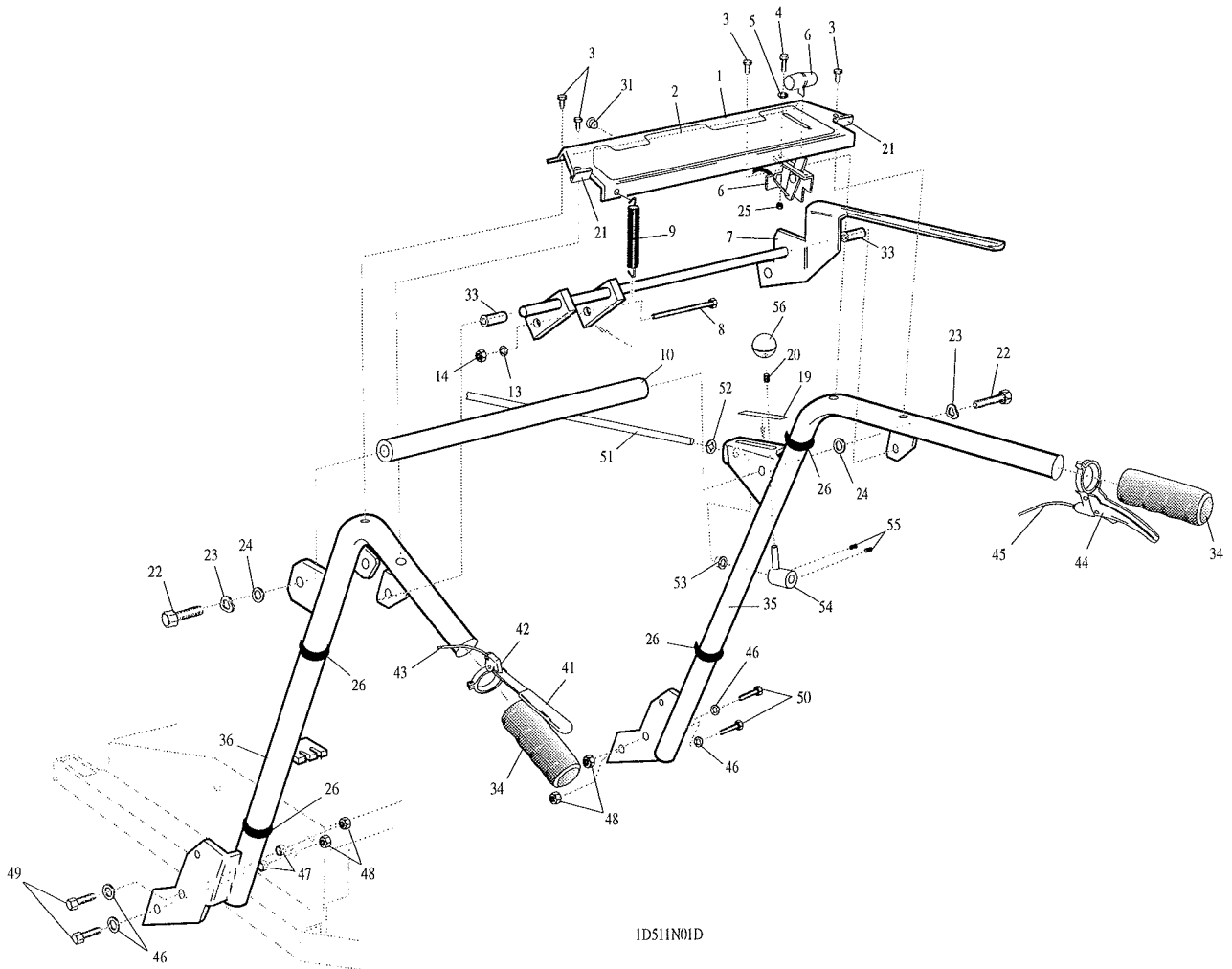
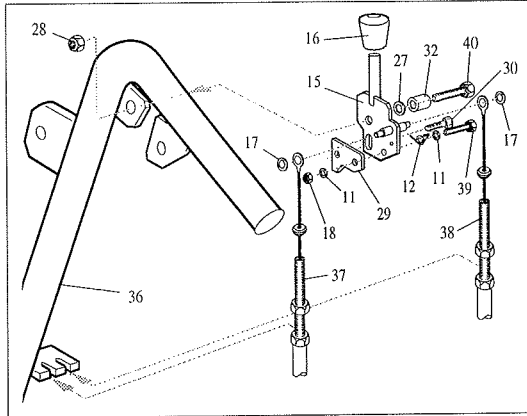
sc 2/6/96



see 20/6/96

ITEM NO	DESCRIPTION	PART NO.	QTY
51.	Washer - M8 Spring.	03469	6
52.	Washer - 3/8" Plain.	09271	8
53.	Spacer - Countershaft.	4943	1
54.	Lever - Brake Operating R.H.	4944	1
55.	Strap - Securing.	6368	2
56.	Plate - Engine Mounting.	232003	1
57.	Engine - Kohler Magnum 8 H.P.	251002	1
58.	Bracket - Clutch Cable Securing.	4956	2
59.	Connector - Chain.	5996	1
60.	Nut - 5/8" UNF Nyloc.	09240	2
61.	Cover - Power Unit.	511123	1
62.	Setscrew - M3 x 20 Hex. Hd.	09696	3
63.	Washer - M3 Plain.	09697	4
64.	Nut - M3 Nyloc.	09698	3
65.	Screw - 1/4" UNF x 1/4" Socket Hd.	09034	2
66.	Cable - Brake.	511109	1
67.	Setscrew - 5/16" UNF x 1 1/4".	09075	4
68.	Screw - 3/8" UNC x 3/4".	09101	2
69.	Cable - Drive Clutch.	4273	1
70.	Nut - 1/4" UNF Selflock.	09201	1
71.	Nut - 5/16" UNF Plain.	09207	2
72.	Nut - 5/16" UNF Selflock.	09209	7
73.	Nut - 3/8" UNF Thin Nyloc.	09216	10
74.	Washer - 5/8" x 1 3/8" x 11G.	09287	2
75.	Washer - 3/8" Spring	09273	2
76.	Washer - 5/8" Plain.	09286	3
77.	Bolt - 1/4" UNF x 1 1/2".	09046	1
78.	Pin - Split 1/8" x 1".	09306	3
79.	Setscrew - M8 x 20.	09377	2
80.	Washer - M4 Nylon.	09733	1
81.	Spacer - Nylon.	511121	1
82.	Nut - M10 Plain.	09449	1
83.	Spring.	5490	2
84.	Toggle.	5489	2
85.	Gearbox - (see 1.17 for service parts)	5793	1
86.	Pin - Spring.	5268	2
87.	Setscrew - 5/16" UNF x 3/8" Socket.	09064	2
88.	Nut - Adjuster 5/16" UNF.	4258	1
89.	Wire Assembly - Stop/Earth.	511126	1
90.	Nut - M8 Plain.	09443	2
91.	Decal - Choke.	511062	1
92.	Decal - Oil.	511063	1

20/6/96 sel



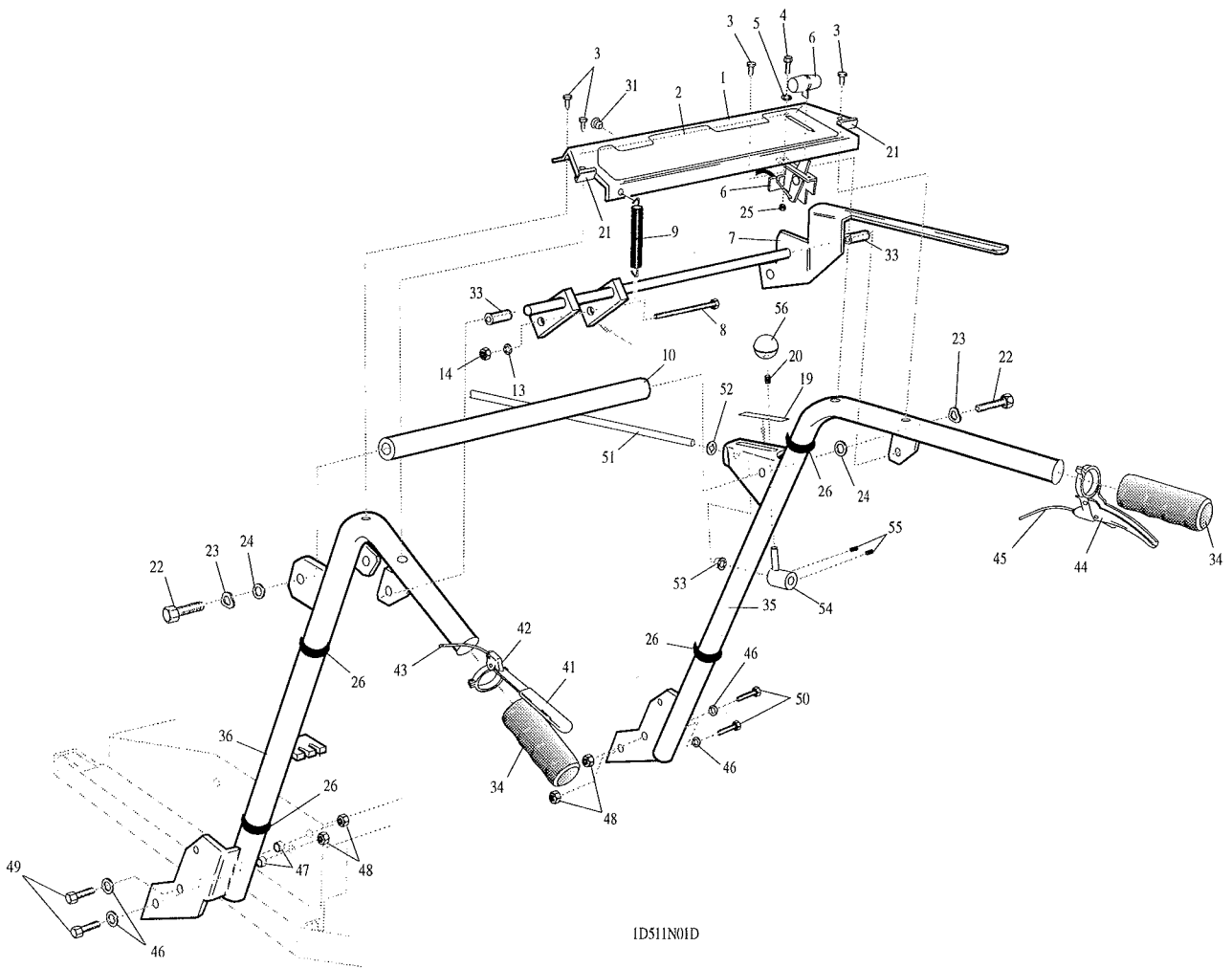
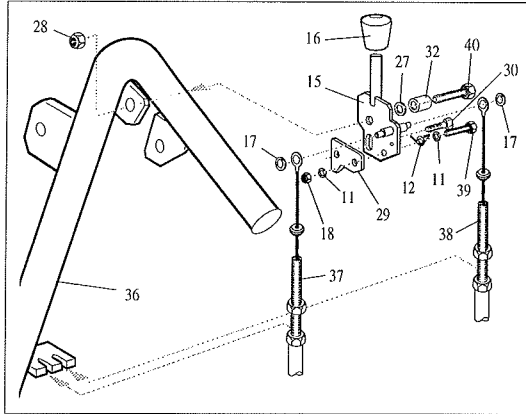
IDS11N01D

see 20/6/86

ITEM NO	DESCRIPTION	PART NO.	QTY
1.	Cover - Handlebar.	510168W	1
2.	Decal - Controls.	511112	1
3.	Screw - M6 x 16 Taptite.	09365	4
4.	Setscrew - M3 x 20 hex. head.	09696	2
5.	Washer - M3 Plain.	09697	4
6.	Throttle control.	511053	1
7.	Lever - O.P.C assembly.	511114W	1
8.	Bolt - M8 x 90.	ZBH1H090U	1
9.	Spring - Extension.	200462	1
10.	Crossbar.	510142W	1
11.	Washer - M6 x Plain.	09472	2
12.	Spring - Torsion.	510167	1
13.	Washer - M8 Plain.	09475	1
14.	Nut - M8 Nyloc.	09441	1
15.	Lever - Cutter Clutch W/A.	510163	1
16.	Knob - Cutter Clutch Lever.	70-07-019	1
17.	Gripfix - 6mm.	0239095	2
18.	Nut - M6 Nyloc.	09611	2
19.	Decal - Gears	511113	1
20.	Ring - Fixing	4298	1
21.	Edging Strip.	50-08-001	-
22.	Bolt - M12 x 30.	09415	2
23.	Washer - M12 Spring.	09599	2
24.	Washer - M12 Plain.	09485	2
25.	Nut M3 Nyloc.	09698	2
26.	Tie - Cable.	3966	4
27.	Washer - M10 Plain.	09479	1
28.	Nut - M10 Nyloc.	09448	1
29.	Pawl - Cutter Clutch Lever.	510166	1
30.	Screw - M6 x 20 Taptite.	09575	1
31.	Grommet.	6289	1
32.	Spacer.	510156	1
33.	Spacer - OPC Lever.	510151	2
34.	Grip - Handlebar.	72-07-058	2
35.	Handlebar R.H.	511103W	1
36.	Handlebar L.H.	511104W	1
37.	Cable - Cutter Clutch.	511110	1
38.	Cable - Cutter Brake.	212224	1
39.	Screw - M6 x 25.	09364	1
40.	Bolt - M10 x 60.	09397	1
41.	Sleeve - Handlever.	510048	1
42.	Lever - Clutch	511081	1
43.	Cable - Drive Clutch.	4273	1
44.	Lever - Parking Brake.	2448	1
45.	Cable - Brake.	511109	1
46.	Washer - 3/8" Plain.	09271	4
47.	Spacer.	4941	2
48.	Nut - 3/8" UNF Nyloc.	09215	4
49.	Setscrew - 3/8" UNF x 1" Lg Hex Hd.	09114	2
50.	Setscrew - 3/8" UNF x 1 1/4" Lg Hex Hd.	09116	2

see 2/6/96

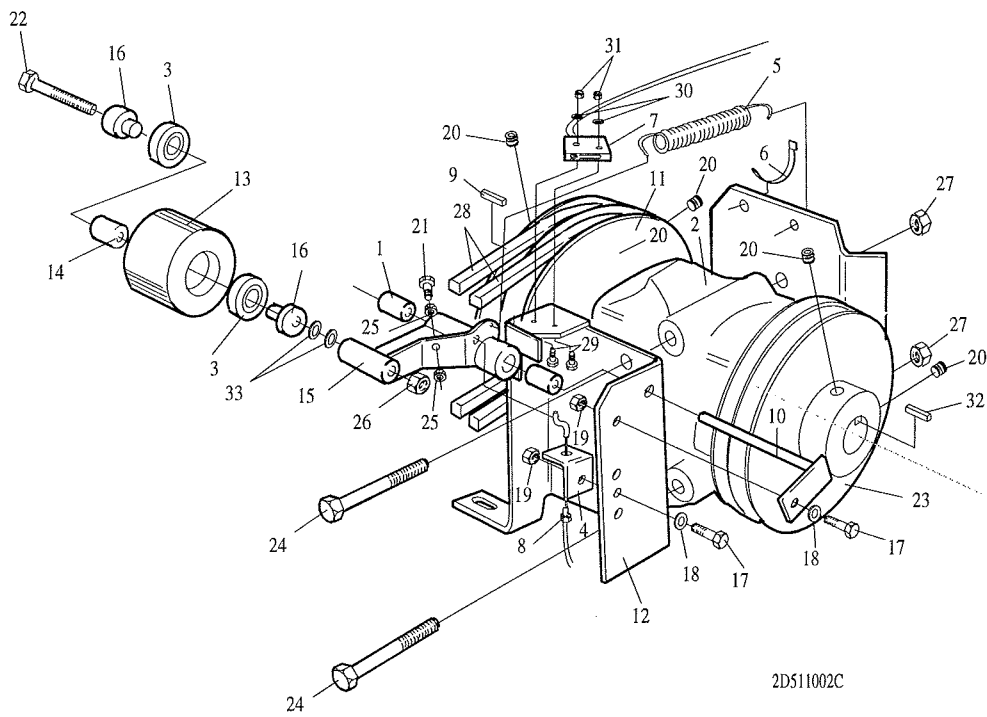




ID511N01D

sc 20/6/96

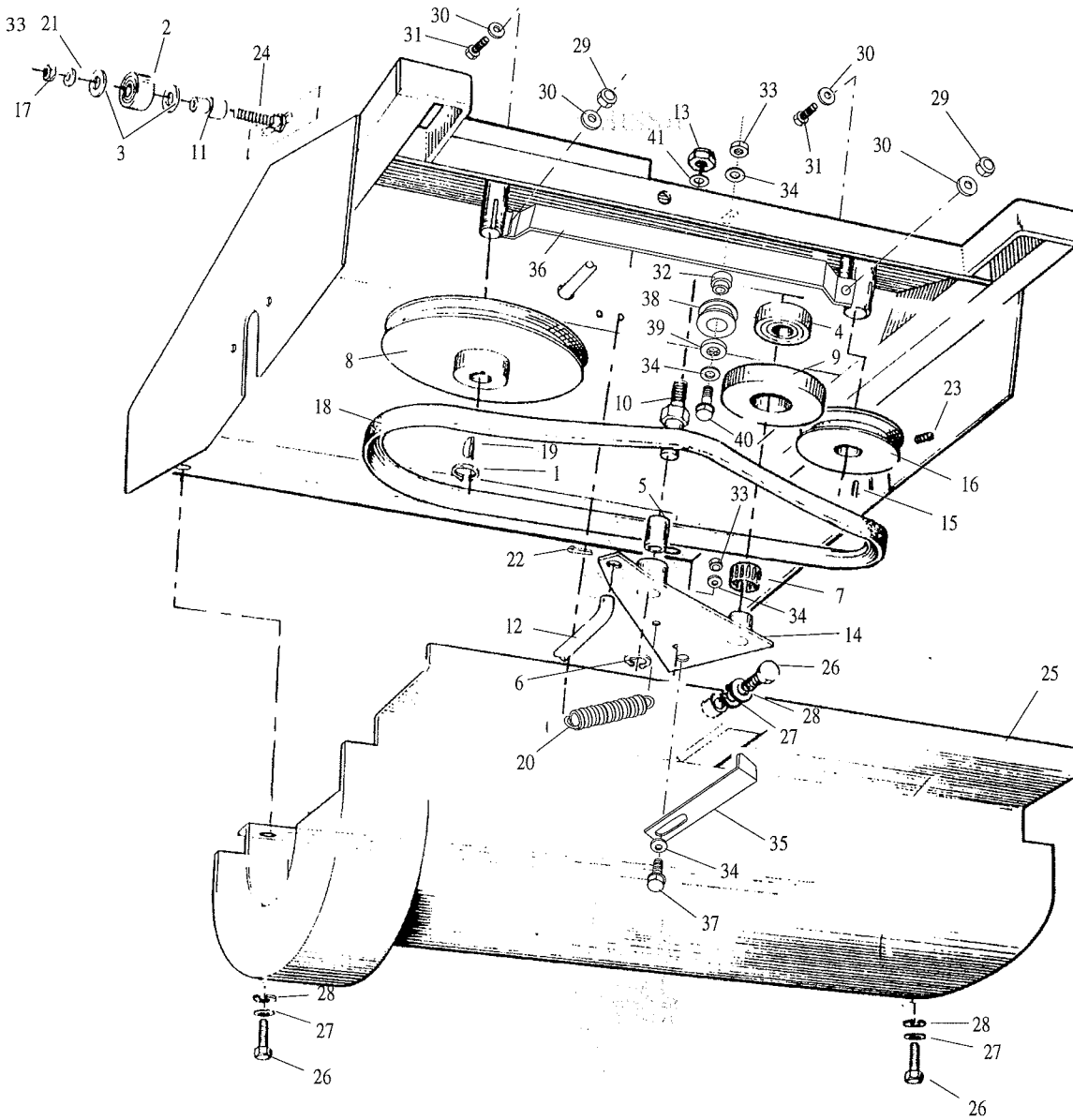
ITEM NO	DESCRIPTION	PART NO.	QTY
51.	Rod - Gear Shift.	5791	1
52.	Push - Fix.	04278	1
53.	Bush.	5866	1
54.	Lever - Gear Change.	511115	1
55.	Screw - 5/16" UNF x 3/8" Socket Hd.	09064	2
56.	Knob - Black.	4297	1



see 20/6/96

ITEM NO	DESCRIPTION	PART NO.	QTY
1.	Bush.	511047	2
2.	Gearbox ( See 1.15 for service parts).	4799	1
3.	Bearing.	3297	2
4.	Cable - Anchor	511118	1
5.	Spring.	511122	1
6.	Cable Tie.	3966	1
7.	Microswitch.	64-09-002	1
8.	Cable.	511110	1
9.	Key - 3/16 x 3/16 x 2.	4294	1
10.	Pin - Pivot.	4735	1
11.	Pulley.	511031P	1
12.	Mount - Jockey Wheel.	511117W	1
13.	Jockey Wheel.	4739	1
14.	Spacer.	4740	1
15.	Arm - Jockey Wheel c/w Bush.	511119W	1
16.	Bush - Jockey Locating.	4813	2
17.	Setscrew - M6 x 16.	09362	2
18.	Washer - M6 Plain.	09472	2
19.	Nut - M6 Nyloc.	09438	2
20.	Setscrew - M6 x 10 Hex. Socket Hd.	09619	4
21.	Screw - M5 x 16 posidrive Pan Hd.	09603	1
22.	Bolt - M8 x 90.	ZBH1H090U	1
23.	Pulley.	511030P	1
24.	Bolt - 3/8" UNF x 3 1/2".	09127	3
25.	Nut - M5 Plain.	ZNH1E000S	2
26.	Nut - M8 Nyloc.	09441	1
27.	Nut - 3/8" UNF Lock.	09216	3
28.	Belt - Matched Pair.	511140	1Pair
29.	Setscrew - M3 x 20 Hex. Hd.	09696	2
30.	Washer - M3 Plain.	09697	2
31.	Nut - M3 Nyloc.	09698	2
32.	Key - 3/16" x 3/16" x1.	4295	1
33.	Washer - M8 Plain.	09475	2

sc 20/6/96



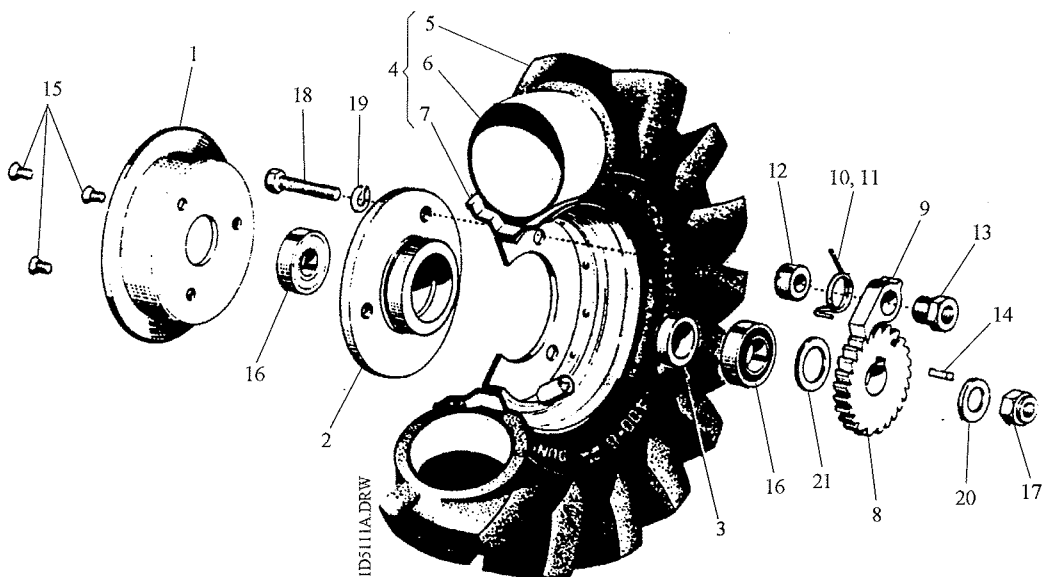
2D51103G

see 20/6/96

ITEM NO	DESCRIPTION	PART NO.	QTY
1.	Circlip.	1428	1
2.	Bearing.	2562	1
3.	Washer - 1/2" Plain.	02575	2
4.	Bearing.	3061	1
5.	Bush.	3064	1
6.	Circlip.	03096	1
7.	Ring - Tolerance.	3225	1
8.	Pulley - Gearbox.	4231	1
9.	Idler - Pulley.	4251	1
10.	Pin - Pivot.	4252	1
11.	Tensioner - Chain ( Main Body ).	4253	1
12.	Rod - Operating ( Clutch Return ).	511051	1
13.	Nut - Self Lock 3/8" UNF .	09216	1
14.	Tensioner - Belt.	4284	1
15.	Key.	4295	1
16.	Pulley.	4755	1
17.	Nut - Self Lock 5/16" UNF.	09209	1
18.	Belt.	511052	1
19.	Key for Part No. 4231.	4364	1
20.	Spring.	1246	1
21.	Washer - 5/16" Plain.	09266	1
22.	Pin - Split 3/32" x 1/2".	09303	1
23.	Setscrew - 1/4" UNF x 1/4" Long Hex. Socket.	09034	2
24.	Bolt - Coach M8 x 40.	09379	1
25.	Guard - Bottom.	4277	1
26.	Setscrew - 1/4" UNF x 3/4".	09039	3
27.	Washer - 1/4" Plain.	09262	3
28.	Washer - Spring 1/4".	09264	3
29.	Nut - M6 Nyloc.	09438	2
30.	Washer - M6 Plain.	09472	4
31.	Setscrew - M6 x 25.	09364	2
32.	Boss - Idler Pulley.	511128	1
33.	Nut - M8 Nyloc.	09442	3
34.	Washer - M8 Plain.	09475	4
35.	Guide Belt.	511058	1
36.	Guide Belt - Long.	511056	1
37.	Setscrew - M8 x 25 Hex. Hd.	03162	2
38.	Pulley - Idler.	511127	1
39.	Bearing.	284031	1
40.	Bolt - M8 x 35.	09631	1
41.	Washer - 3/8" Plain.	09271	1

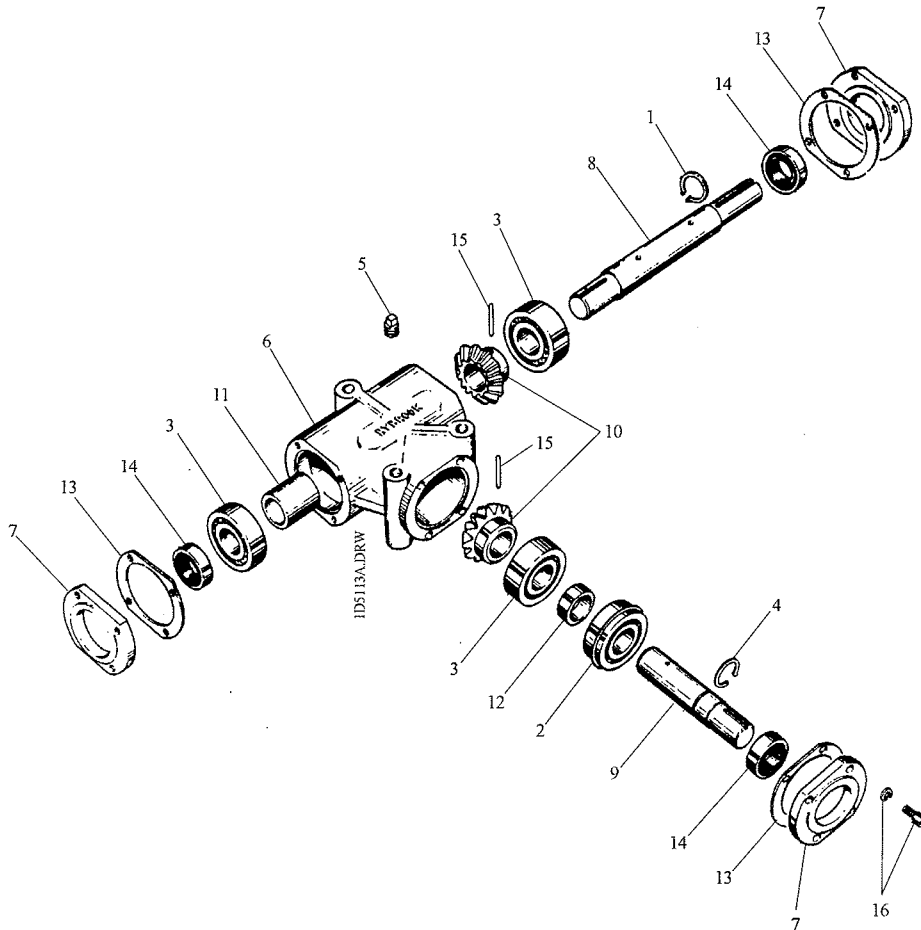
sc 20/6/96

ITEM NO	DESCRIPTION	PART NO.	QTY
1.	Brake Drum.	2144	2
2.	Wheel Hub.	2145	2
3.	Bearing Spacer.	2146	2
4.	Wheel complete with Tyre and Tube.	2178	2
5.	Tyre Only 4.00 x 8.	2179	2
6.	Tube Only 4.00 x 8.	2180	2
7.	Wheel Centre Only.	2181	2
8.	Drive Ratchet.	2207	2
9.	Pawl.	2208	6
10.	Pawl Spring O / S.	2209	3
11.	Pawl Spring N / S.	2210	3
12.	Pawl Spacer.	2212	6
13.	Pawl Securing Nut.	2213	6
14.	Ratchet Locating Key.	2214	2
15.	Setscrew - 5/16" UNF x 1/2" Lg Countersunk.	09066	6
16.	Bearing.	3240	4
17.	Nut - Selflock 3/4" UNF.	3302	2
18.	Setscrew - 1/2" UNF x 2 1/4" .	09164	6
19.	Washer - Spring 1/2".	09282	6
20.	Washer - Plain 3/4".	09289	2
21.	Washer - Plain 1".	09295	2

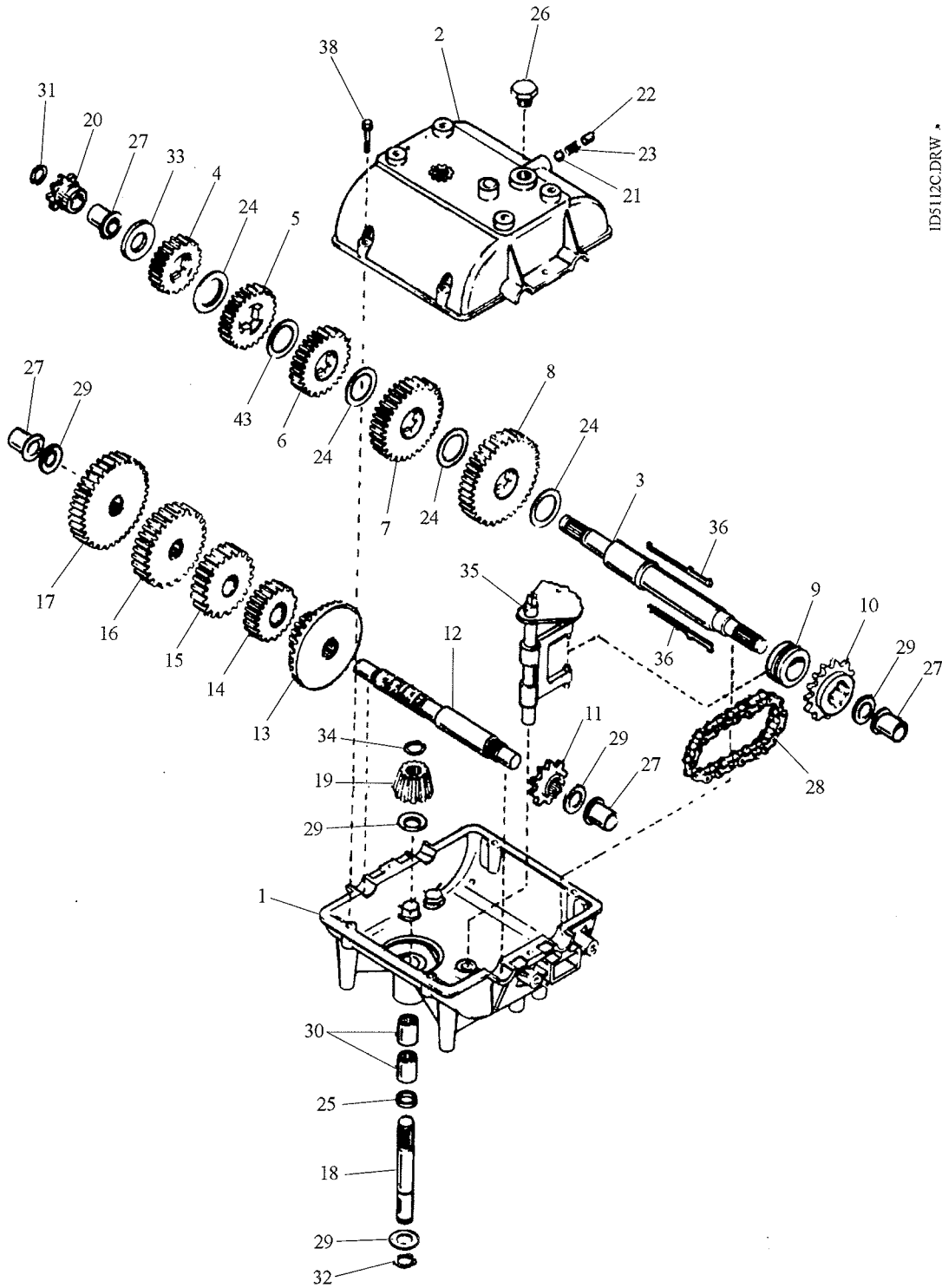


SE 20/6/26

ITEM NO	DESCRIPTION	PART NO.	QTY
1.	Circlip.	02382	1
2.	Bearing.	4399	1
3.	Bearing.	4400	3
4.	Circlip.	4402	1
5.	Plug.	2685	1
6.	Housing - Gearbox.	4788	1
7.	End Cap.	4789	3
8.	Shaft - Input.	4790	1
9.	Shaft - Output.	4791	1
10.	Gear - Mitre ( Pair ).	4792	2
11.	Spacer - Input.	4793	1
12.	Spacer - Output.	4794	1
13.	Shim - Packet of 5 Assorted.	4795	A/R
14.	Seal - Oil.	4796	3
15.	Pin - Sold in 10's.	04797	2
16.	Screw and Spring Washer.	04798	12
17.	Gearbox Complete.	4799	1







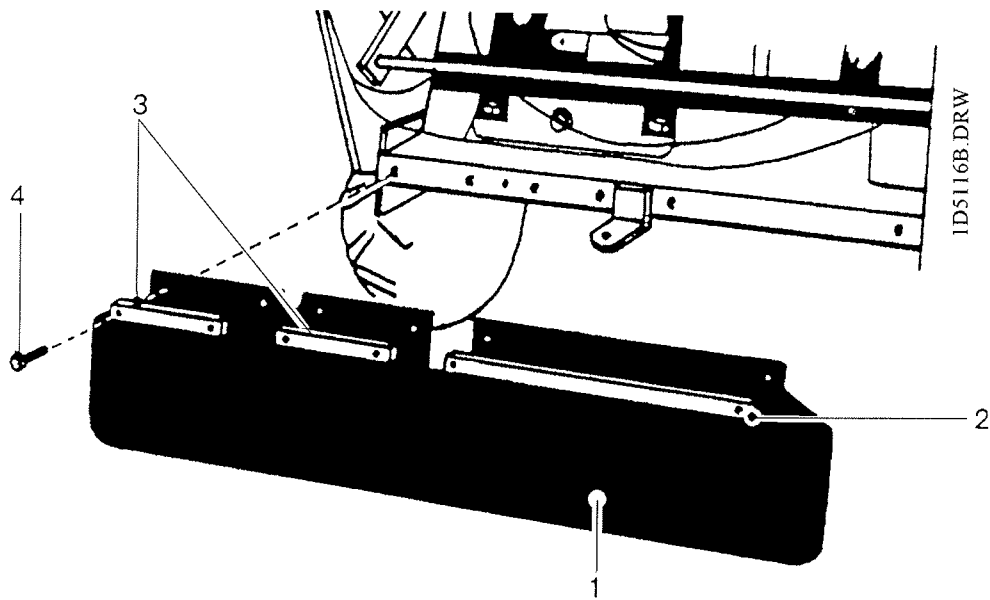
IDS112C.DRW

*se 20/6/20*

ITEM NO	DESCRIPTION	PART NO.	QTY
1.	Case - Transmission.	5826	1
2.	Cover - Transmission.	5827	1
3.	Shaft - Output and Brake.	5828	1
4.	Gear - 20T Spur.	5829	1
5.	Gear - 20T Spur.	5830	1
6.	Gear - 25T Spur.	5831	1
7.	Gear - 30T Spur.	5832	1
8.	Gear - 35T Spur.	5833	1
9.	Collar - Shift.	5834	1
10.	Sprocket - 18T.	5835	1
11.	Sprocket - 9T.	5836	1
12.	Countershaft.	5837	1
13.	Gear - 42T and 15T Bevel.	5838	1
14.	Gear - 20T Spur.	5839	1
15.	Gear - 25T Spur.	5840	1
16.	Gear - 28T Spur.	5841	1
17.	Gear - 20T Spur.	5842	1
18.	Shaft - Input.	5843	1
19.	Pinion - Input Bevel.	5844	1
20.	Sprocket - 8T.	5845	1
21.	Ball - Steel 5/16" ( Sold in 10's ).	02590	1
22.	Screw - Grub 3/8" UNC x 3/8".	9351	1
23.	Spring - Comp.	5861	1
24.	Washer - Thrust.	5862	4
25.	'O Ring.	5863	1
26.	Plug.	5864	1
27.	Bush - Flanged.	5852	4
28.	Chain - 24 Links.	5853	1
29.	Race - Thrust.	5854	5
30.	Bearing - Needle.	5855	2
31.	Circlip - External 9/16".	5856	1
32.	Circlip - External 5/8".	1428	1
33.	Washer - 5/8".	5857	1
34.	Circlip - External 9/16".	5858	1
35.	Shift Rod and Fork Assembly.	5859	1
36.	Key.	5860	6
37.	Gearbox - Complete.	5793	1
38.	Screw - Hex. Hd. 1/4" x 1 1/4".	09350	6

52 20/6/96

ITEM NO	DESCRIPTION	PART NO.	QTY
1.	Rubber Guard.	5691	1
2.	Flat - Guard Securing ( Long ).	5692	1
3.	Flat - Guard Securing ( Short ).	5693	2
4.	Screw - M6 x 16 Hex. Hd. Tapite.	09365	6



See 20/6/96