

M10/30H

Heritage Tractor
CODE 134E

ILLUSTRATED PARTS LIST

CODE SERIAL NO.
134E 290000001
ISSUE 12/16/2009
1742441

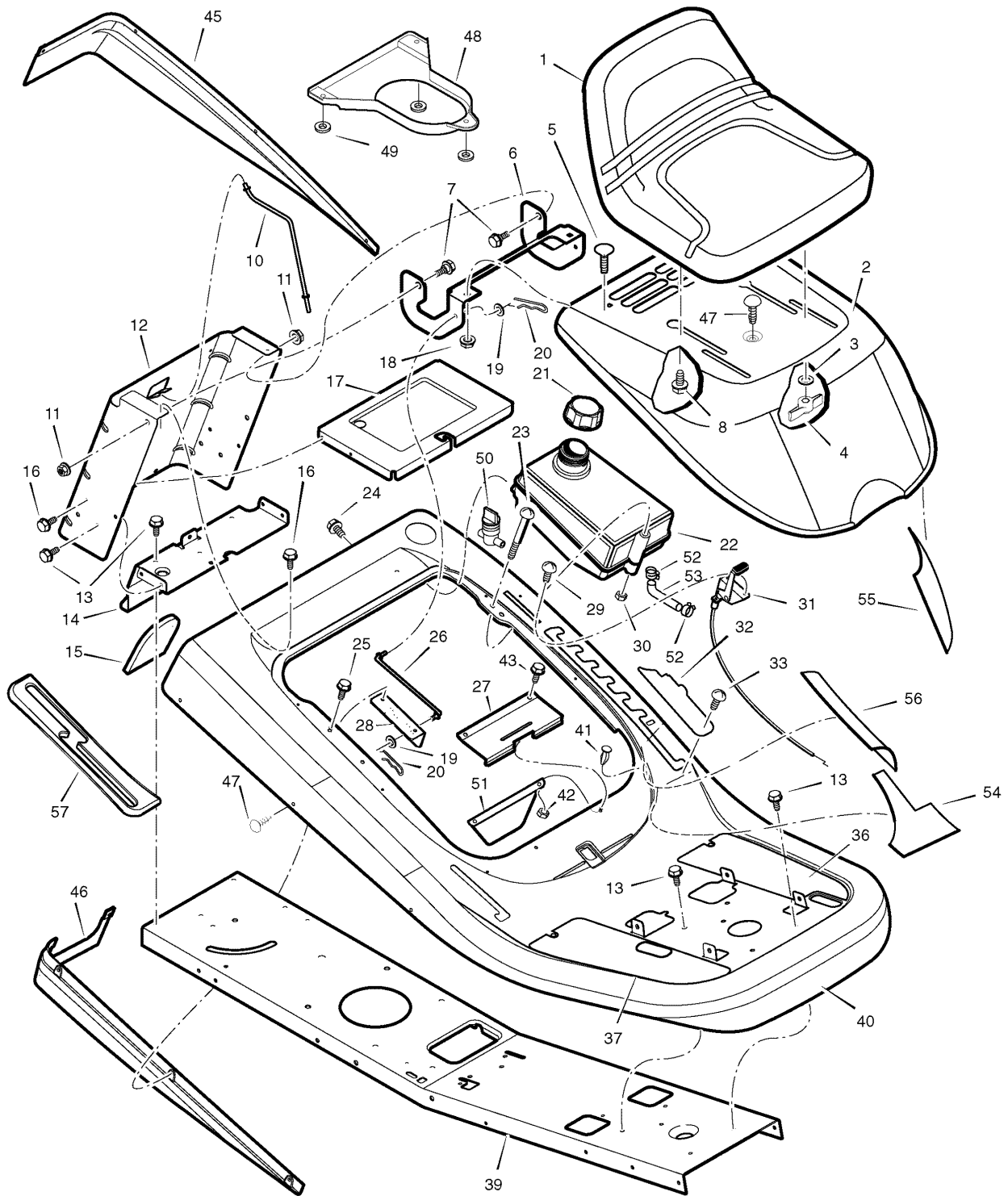
PART NO: 111-3048 (Rev. B)

PRODUCT COMPONENTS	PAGES
Chassis & Hood	4
Steering	8
Motion Drive	10
Decals	14
Electrical System	16
Mower Housing	18
Mower Housing Suspension	22
Torque Specification Chart	Inside Back Cover

Chassis & Hood

0003

NOTE: Unless noted otherwise,
use the standard hardware torque
specification chart.



The above parts group applies to the following Mfg. Nos.:

7800530 - 309029x11H - M10/30H

Chassis & Hood

REF NO	PART NO.		DESCRIPTION
1	MU690566MA	1	SEAT
2	MU1401379E549MA	1	HOOD
3	MU017X47MA	2	WASHER
4	MU1001054MA	2	BOLT, Wing
5	MU002X16MA	2	BOLT, Carriage
6	MU1401378E701MA	1	BRACKET, Hinge
7	MU009X29MA	2	BOLT, Shoulder
8	MU009X56MA	2	BOLT, Shoulder
10	MU1401113MA	1	ROD, Battery
11	MU015X84MA	2	NUT, Flange
12	MU885116ZYP	1	PLATE, Rear
13	MU26X249MA	11	SCREW
14	MU1401050E701MA	1	PLATE, Hitch
15	MU1401087MA	1	COVER
16	MU26X263MA	4	SCREW
17	MU1401076E701MA	1	TRAY, Battery
18	MU015X79MA	2	NUT, Flange
19	MU017X45MA	2	WASHER
20	MU0031X6MA	2	PIN, Cotter
21	MU1714020SM	1	CAP, Fuel Tank (Included with Ref. No. 22)
22	MU1401361MA	1	TANK, Fuel
23	MU06X111MA	1	SCREW (Included with Ref. No. 22)
24	MU26X253MA	2	SCREW
25	MU26X263MA	2	SCREW
26	MU1401110MA	1	ROD, Hood Prop
27	MU1401282MA	1	SPRING, Seat Deck
28	MU1401352E701MA	1	BRACKET, Prop Rod
29	MU26X201MA	2	SCREW
30	MU15X116MA	1	NUT, NY-Lock
31	MU1401248MA	1	CONTROL, Throttle
32	MU1401084MA	1	COVER, Detent (Black)
33	MU009X47MA	2	BOLT, Shoulder
36	MU1401229MA	1	FOOTMAT, Left (Black)
37	MU1401228MA	1	FOOTMAT, Right (Black)
39	MU885058ZYP	1	FRAME (Used Before S/N 2013477368)
39	MU885370ZYP	1	FRAME (Used After S/N 2013477368)
40	MU1742501LYP	1	DECK, Seat
41	MU094744MA	6	BUMPER
42	MU15X116MA	2	NUT (Included with Ref. No. 22)
43	MU0025X2MA	2	SCREW
44	MU7601036MA	--	KIT, Foil Heat Shield
45	MU1401073MA	1	TRIM, Left
46	MU1401072MA	1	TRIM, Right

Footnotes

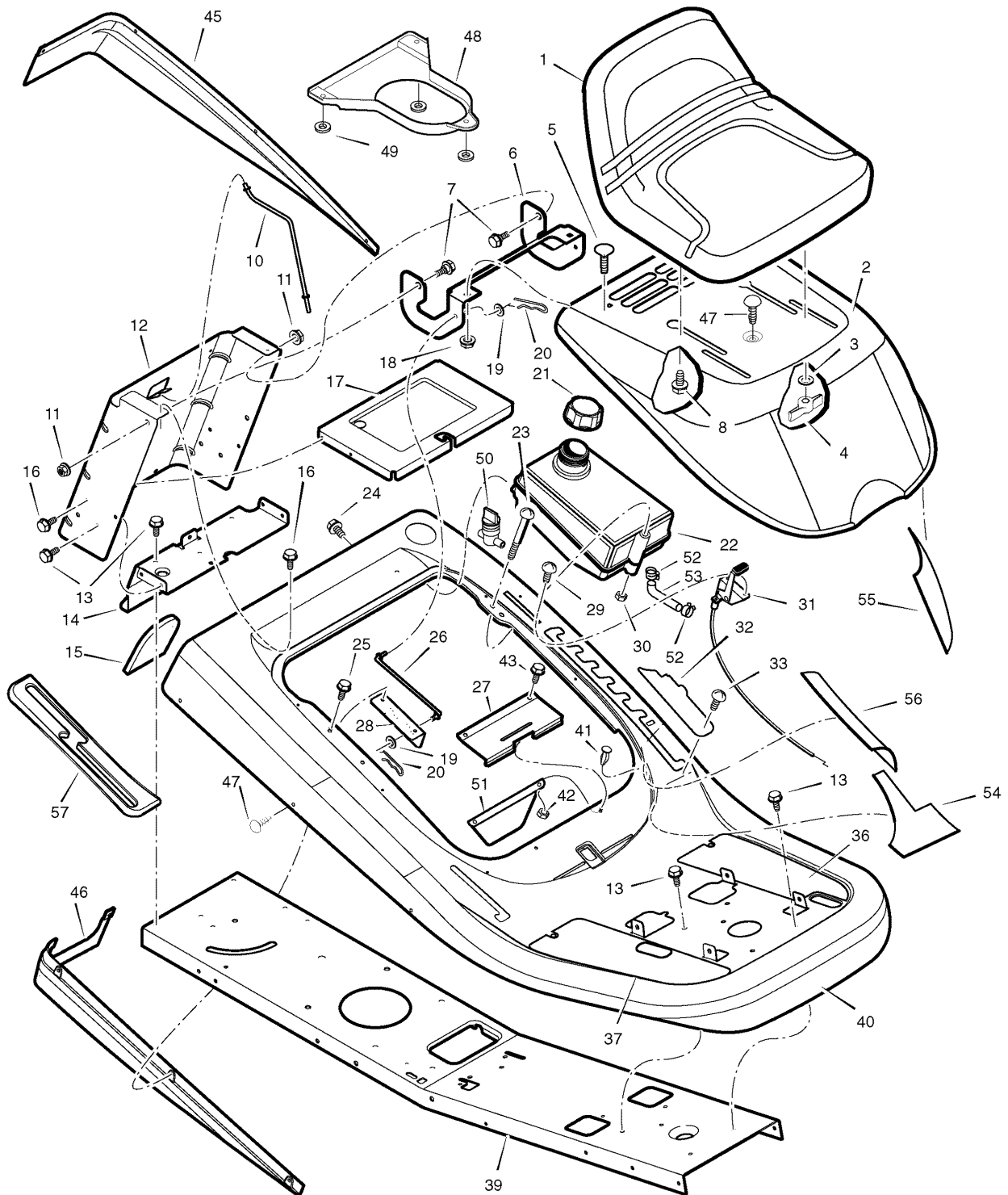
The above parts group applies to the following Mfg. Nos.:

7800530 - 309029x11H - M10/30H

Chassis & Hood

0003

NOTE: Unless noted otherwise,
use the standard hardware torque
specification chart.



The above parts group applies to the following Mfg. Nos.:

7800530 - 309029x11H - M10/30H

Chassis & Hood

REF NO	PART NO.		DESCRIPTION
47	MU0193X1MA	9	FASTENER, Panel
48	MU1401380MA	1	PLENUM
49	MU15X123MA	3	NUT, Hex 5/16-18
50	MU698183	1	VALVE, Fuel Shutoff
51	MU1401401MA	1	SHIELD, Heat
52	MU095197MA	2	HOSE, Clamp
53	MU791766	1	FUEL, Hose
54	MU1401385MA	2	HEAT SHIELD, Hood
55	MU1401208MA	1	REFLECTOR TAPE, Heat Shield Hood
56	MU1401209MA	1	REFLECTOR TAPE, Heat Shield Upper
57	MU1742502YP	1	Cover, Long Black
--	MU1002079MA	--	BAG, Parts
--	111-3047	--	BOOK, Instruction
--	111-3048	--	MANUAL, Parts List

Footnotes

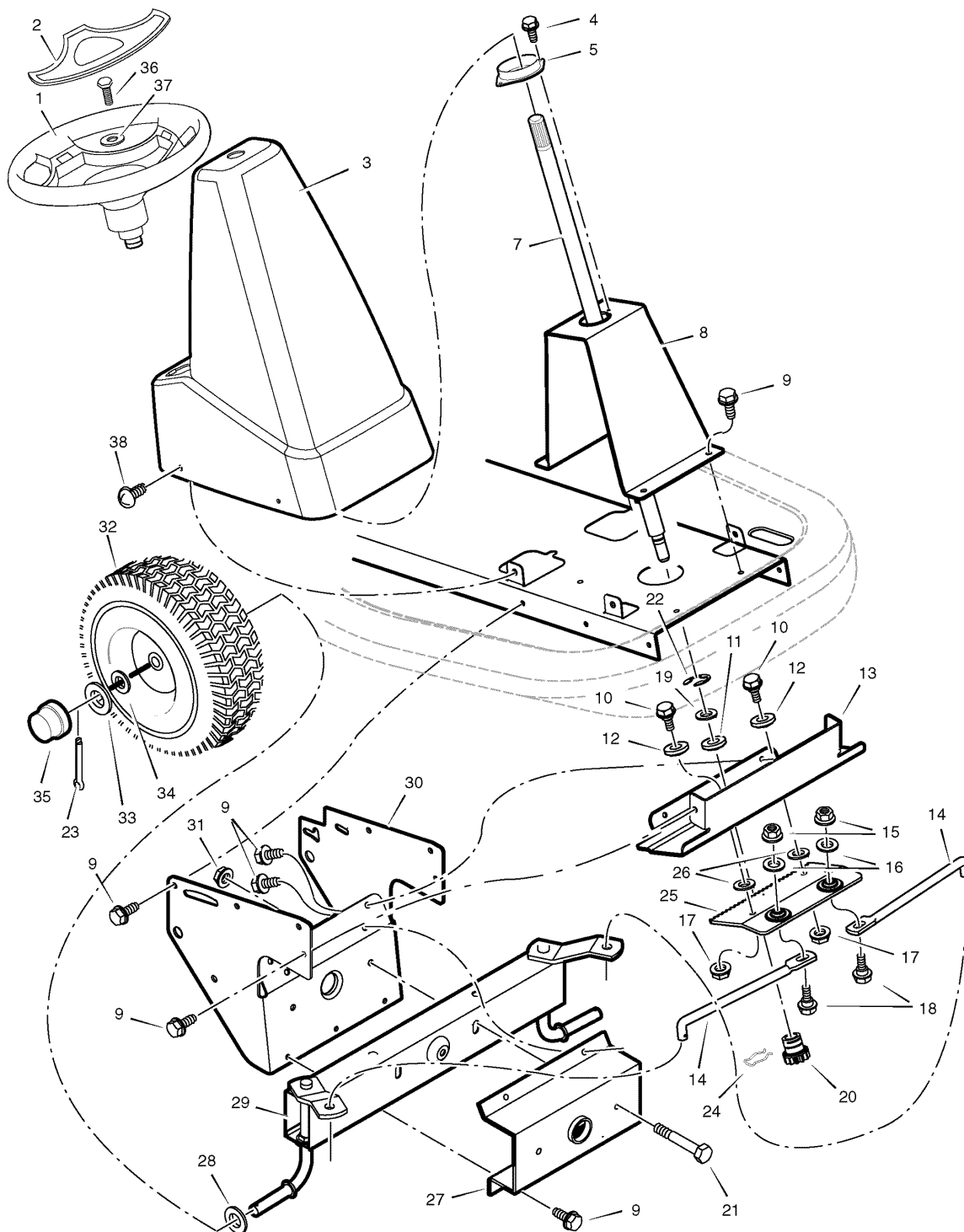
The above parts group applies to the following Mfg. Nos.:

7800530 - 309029x11H - M10/30H

Steering

NOTE: Unless noted otherwise,
use the standard hardware torque
specification chart.

0007



The above parts group applies to the following Mfg. Nos.:

7800530 - 309029x11H - M10/30H

Steering

REF NO	PART NO.		DESCRIPTION
1	MU1001980MA	1	WHEEL, Steering
2	MU1001982MA	1	CAP, Steering
3	MU1401067MA	1	CONSOLE, High -Black
4	MU26X250MA	2	SCREW
5	MU1401090MA	1	BEARING, Upper Steering
7	MU1401100MA	1	SHAFT, Steering
8	MU1401055E701MA	1	SUPPORT, Steering
9	MU26X249MA	2	SCREW
10	MU009X67MA	2	BOLT, Shoulder
11	MU1401098MA	1	BEARING, Lower Steering
12	MU1401102MA	2	ROLLER
13	MU1401058E701MA	1	PLATE, Gear Mounting
14	MU1401123E701MA	2	LINK, Drag
15	MU015X84MA	2	NUT, Flange
16	MU710083MA	2	WASHER
17	MU015X88MA	2	NUT, Flange
18	MU01X111MA	2	BOLT, Hex
19	MU17X118ZMA	1	WASHER
20	MU1401099MA	1	GEAR, Pinion
21	MU01X146MA	2	BOLT, Hex
22	MU011X23MA	1	E-RING, Retainer
23	MU030X35MA	2	PIN, Cotter
24	MU094131MA	1	RETAINER, Spring
25	MU1401046E701MA	1	RACK, Steering
26	MU17X201MA	2	WASHER
27	MU1401376E701MA	1	BRACKET, Axle Front
28	MU17X157MA	2	WASHER
29	MU1401250E701MA	1	AXLE & SPINDLE ASSEMBLY
30	MU885036ZYP	1	BRACKET, Support
31	MU15X118MA	2	NUT, Flange
32	MU1401381601MA	2	WHEEL, Front
33	MU17X197MA	2	WASHER
34	MU17X157MA	2	WASHER
35	MU094618MA	2	CAP, Hub
36	MU0025X3MA	1	BOLT
37	MU17X146MA	1	WASHER
38	MU26X270MA	4	SCREW

Footnotes

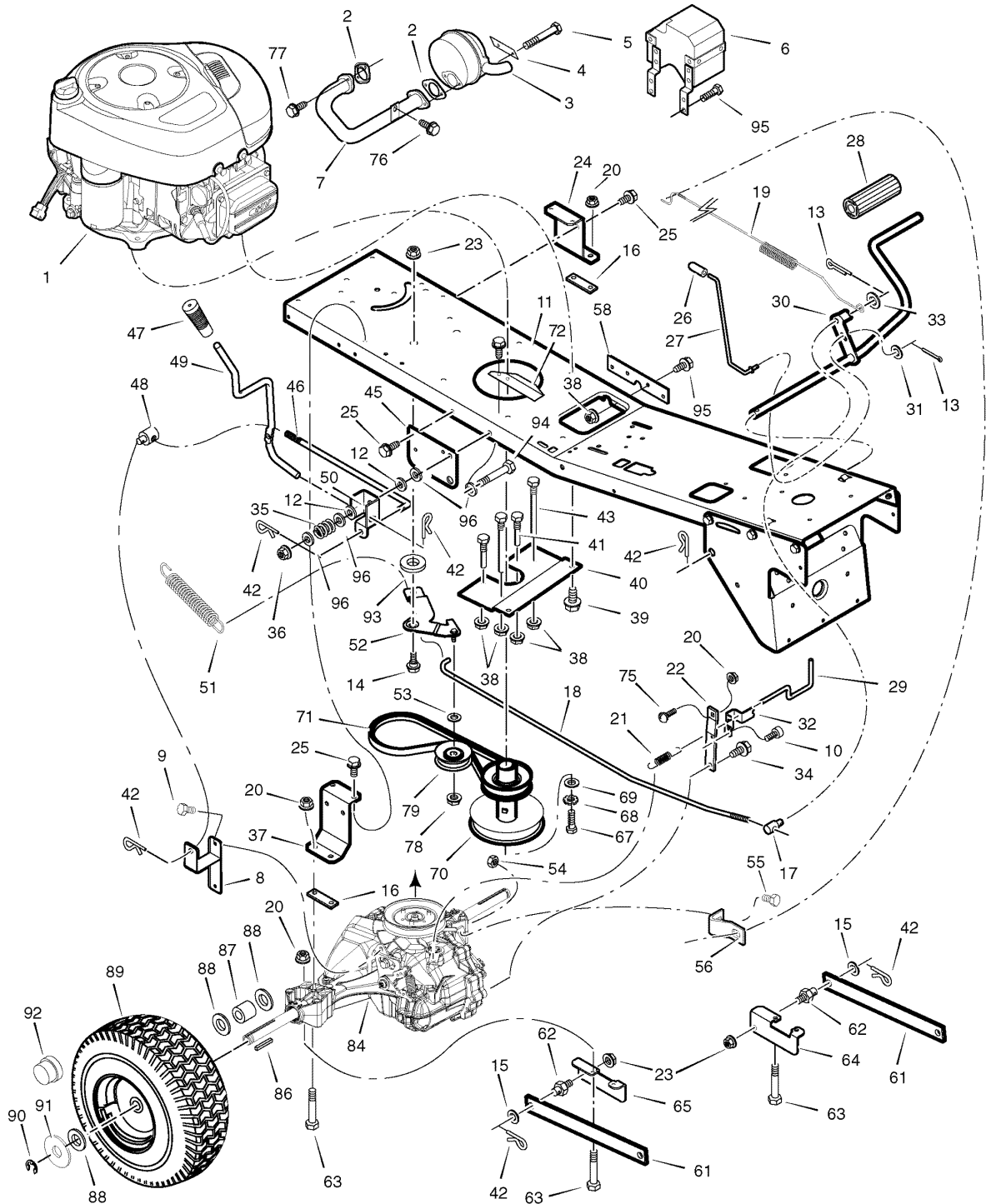
The above parts group applies to the following Mfg. Nos.:

7800530 - 309029x11H - M10/30H

Motion Drive

0005

NOTE: Unless noted otherwise, use the standard hardware torque specification chart.



The above parts group applies to the following Mfg. Nos.:
7800530 - 309029x11H - M10/30H

Motion Drive

REF NO	PART NO.	DESCRIPTION
1	215807-0135-B1	ENGINE, Briggs & Stratton *
2	MU692236	GASKET, Muffler
3	MU1401358MA	MUFFLER
4	MU092378MA	LOCK, Muffler Screw
5	MU01X134MA	BOLT, Hex
6	MU1401375MA	SHIELD, Heat
7	MU1401357MA	TUBE, Exhaust
8	MU1741784ZYP	BRACKET, Shift Lever Weldment
9	MU001x75MA	BOLT, Hex
10	MU01x121MA	SCREW
11	MU885058ZYP	FRAME (Used Before S/N 2013477368)
11	MU885370ZYP	FRAME (Used After S/N 2013477368)
12	MU17X217MA	WASHER
13	MU030X20MA	PIN, Cotter
14	MU009X39MA	BOLT, Shoulder
15	MU017X91MA	WASHER
16	MU1742526ZYP	PLATE, Transaxle
17	MU094815ZMA	NUT, Adjusting
18	MU1401305ZMA	ROD, Clutch Hydro
19	MU165X165MA	SPRING, Brake
20	MU015X88MA	NUT
21	MU1742524YP	SPRING, Roll Release
22	MU1742527ZYP	BRACKET, Torque
23	MU015X84MA	NUT
24	MU1401268E701MA	BRACKET, Left Transaxle
25	MU26X249MA	SCREW
26	MU1401337MA	GRIP
27	MU1401112MA	ROD, Parking Brake
28	MU021544MA	PEDAL
29	MU1401304ZMA	ROD, Roll Release
30	MU1401127E701MA	ROD, Clutch/Brake
31	MU017X38MA	WASHER
32	MU1401303E701MA	BRACKET, Roll Release
33	MU017X53MA	WASHER
34	MU26X216MA	SCREW
35	MU164X39MA	SPRING, Compression
36	MU15X119MA	NUT
37	MU1401042E701MA	BRACKET, Right Transaxle
38	MU015X79MA	NUT
39	MU0025X7MA	SCREW
40	MU1401057E701MA	PLATE, Belt Guide
41	MU1401105MA	GUIDE, Belt, Long
42	MU0031X4MA	PIN, Hair

Footnotes

Note* See your local Briggs & Stratton distributor for parts and service.

Note** For information on Replacement Parts for this transaxle contact the manufacturer.

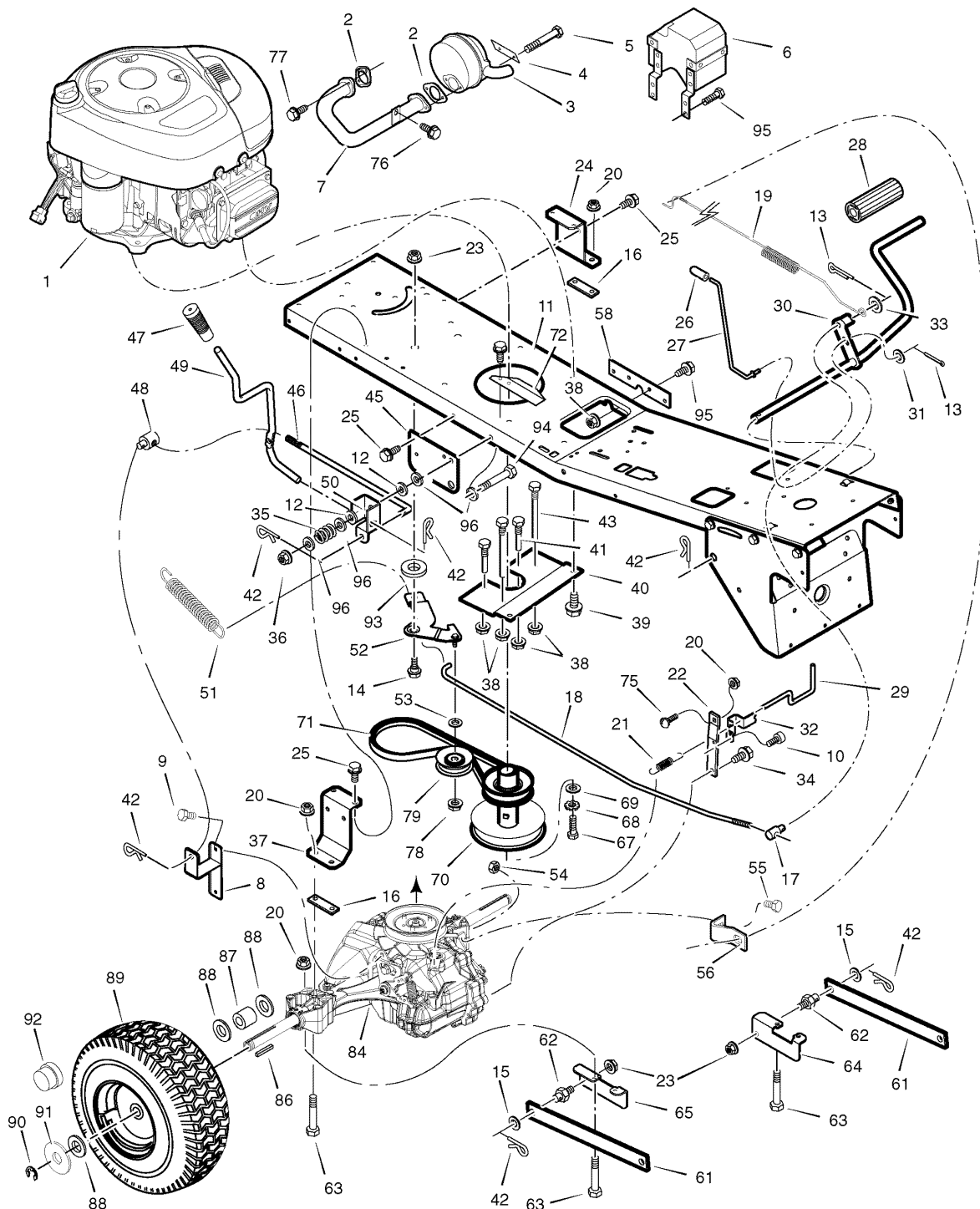
The above parts group applies to the following Mfg. Nos.:

7800530 - 309029x11H - M10/30H

Motion Drive

NOTE: Unless noted otherwise,
use the standard hardware torque
specification chart.

0005



The above parts group applies to the following Mfg. Nos.:
7800530 - 309029x11H - M10/30H

Motion Drive

REF NO	PART NO.	DESCRIPTION
43	MU1401104MA	GUIDE, Belt, Short
45	MU1401032E701MA	BRACKET, Lift Pivot
46	MU1401307ZMA	ROD, Shift Link
47	MU094497MA	GRIP
48	MU1401148ZMA	NIUT, Adjusting
49	MU1401356MA	LEVER, Shift
50	MU1401340ZMA	BRACKET, Pivot
51	MU165X147MA	SPRING, Variator Drive
52	MU1741785ZYP	ARM, Idler (Used Before S/N 2013477368)
52	MU885372ZYP	ARM, Idler (Used After S/N 2013477368)
53	MU017X91MA	WASHER
54	MU015x88MA	NUT, 5/16-18
55	MU0025x3MA	SCREW, Hex
56	MU1742528ZYP	BRACKET, Brake Spring Extension (Used Before S/N 2013477368)
56	MU885373ZYP	BRACKET, Brake Spring Extension (Used After S/N 2013477368)
58	MU1401260E701MA	PLATE, Reinforcement
61	MU1401031E701MA	ARM, Rear
62	MU094067MA	PIN, Threaded
63	MU01X156MA	BOLT, Hex
64	MU1401301E701MA	BRACKET, Left Rear Hanger
65	MU1401302E701MA	BRACKET, Right Rear Hanger
67	MU01X140MA	BOLT, Hex
68	MU019X35MA	LOCKWASHER
69	MU17X170MA	WASHER
70	MU1401308MA	PULLEY STACK
71	MU1742461YP	BELT, Drive, 4L
72	MU1401396MA	HEAT SHIELD
75	MU002X53MA	BOLT, Carriage
76	MU26X263MA	SCREW
77	MU06X103MA	SCREW
78	MU015X98MA	LOCKNUT
79	MU1401309MA	PULLEY, Idler
84	----	TRANSAXLE **
86	MU056534MA	KEY, Square
87	MU1401103MA	SPACER, Rear Wheel
88	MU17X160MA	WASHER
89	MU1401120MA	WHEEL & TIRE ASSEMBLY
90	MU0011X3MA	E-RING
91	MU17X195MA	WASHER
92	MU094618MA	HUB CAP
93	MU17X174ZMA	WASHER
94	MU01X143MA	BOLT, Hex
--	----	TUBE (ONLY)
--	----	TIRE (ONLY)

Footnotes

Note* See your local Briggs & Stratton distributor for parts and service.

Note** For information on Replacement Parts for this transaxle contact the manufacturer.

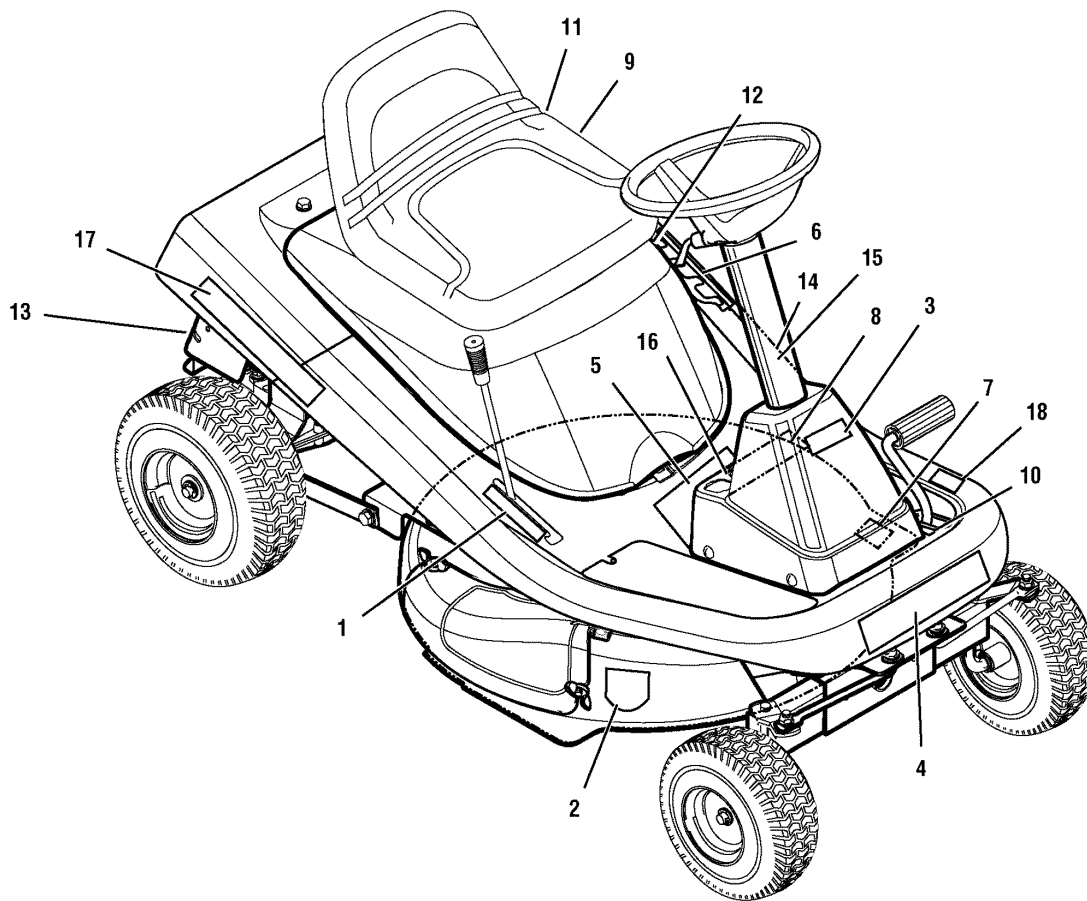
The above parts group applies to the following Mfg. Nos.:

7800530 - 309029x11H - M10/30H

Decals

0015

NOTE: Unless noted otherwise,
use the standard hardware torque
specification chart.



The above parts group applies to the following Mfg. Nos.:

7800530 - 309029x11H - M10/30H

Decals

REF NO	PART NO.		DESCRIPTION
1	MU48X724MA	1	DECAL, Engagement
2	MU48X4033MA	1	DECAL, Cut Finger Symbols
3	MU1740531MA	1	DECAL, Hayter Emblem
4	MU1740533MA	1	DECAL, M10/30
5	MU48X4032MA	1	DECAL, Warning, Export
6	MU48X727MA	1	DECAL, Height Adjust, 6 Positions
7	MU48X4034MA	1	DECAL, No Step, Export
8	MU48X726MA	1	DECAL, Park Brake Symbol
9	MU48X728MA	1	DECAL, Throttle Control
10	MU48X736MA	1	DECAL, Clutch/Brake XPT
11	MU48X729MA	1	DECAL, Gas Gauge
12	MU44X5936MA	1	DECAL, Heat Shield Warning
13	MU48X511MA	1	DECAL, Warning Load Limit, Export
14	MU44X6828MA	1	DECAL, Warning Pinch Point
15	MU44X7027MA	1	DECAL, Deck Level
16	MU48X5182MA	1	DECAL, Decal Auto Disconnect
17	MU1740532MA	2	DECAL, Hayter Heritage
18	MU48X5911MA	1	DECAL, 100db, Export

Footnotes

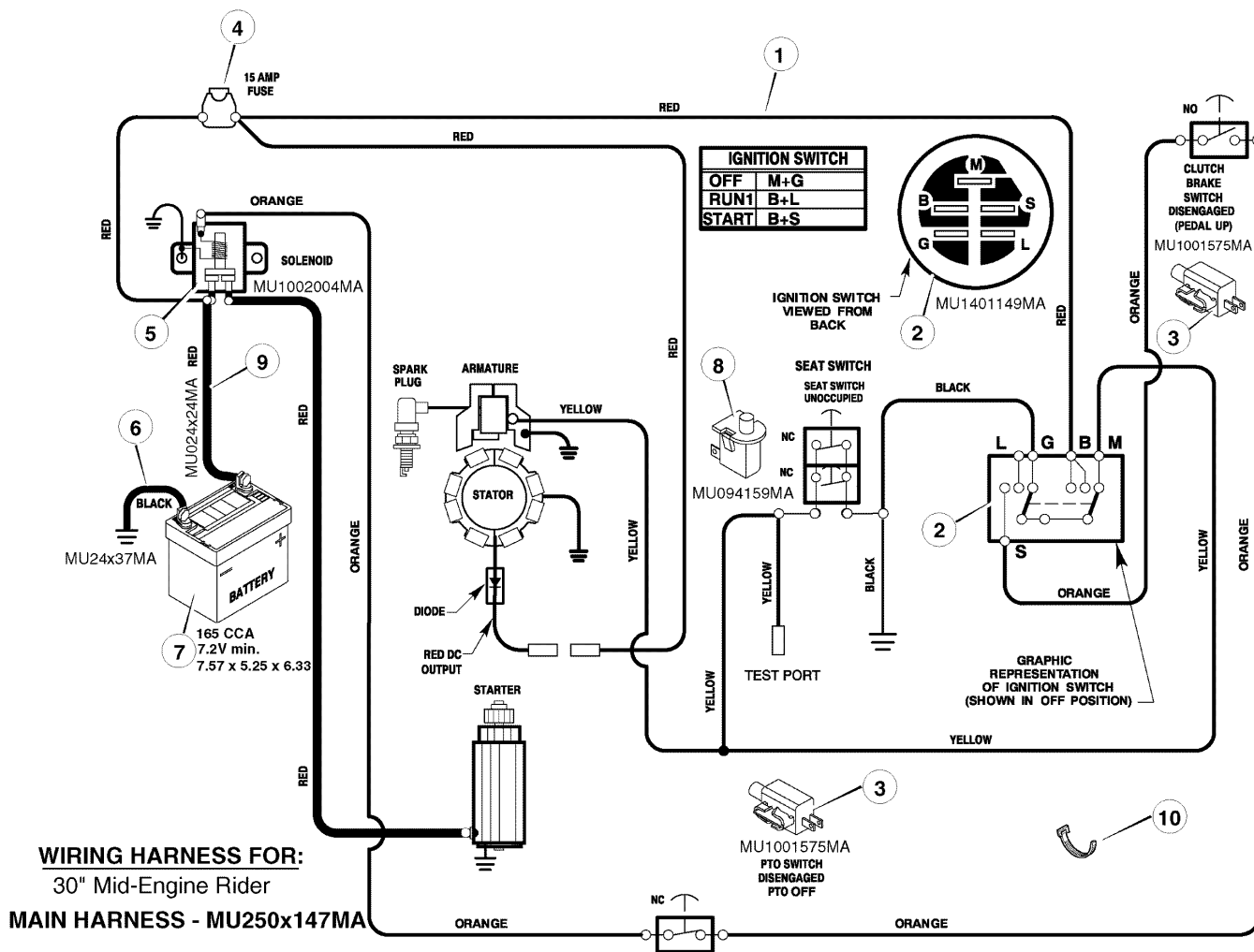
The above parts group applies to the following Mfg. Nos.:

7800530 - 309029x11H - M10/30H

Electrical System

0013

NOTE: Unless noted otherwise, use the standard hardware torque specification chart.



The above parts group applies to the following Mfg. Nos.:
7800530 - 309029x11H - M10/30H

Electrical System

REF NO	PART NO.		DESCRIPTION
1	MU250X147MA	1	HARNESS, Chassis Wire
2	MU1401149MA	1	SWITCH, Ignition
--	MU327349MA	2	KEY, Ignition
3	MU1001575MA	2	SWITCH, Limit
4	MU054212MA	1	FUSE
--	MU407078MA	1	HOLDER, Fuse
5	MU1002004MA	1	SOLENOID
--	MU26X229MA	2	SCREW, Mounting
--	MU15X116MA	2	LOCKNUT
6	MU24X37MA	1	CABLE, Battery Ground
7	----	1	BATTERY
--	MU002X82MA	2	BOLT, Carriage
--	MU014X79MA	2	WINGNUT
8	MU094159MA	1	SWITCH, Seat Sensor
9	MU024X24MA	1	CABLE, Red Battery
--	MU690604MA	1	BOOT, Positive Terminal
10	MU032618MA	4	STRAP, Tie

Footnotes

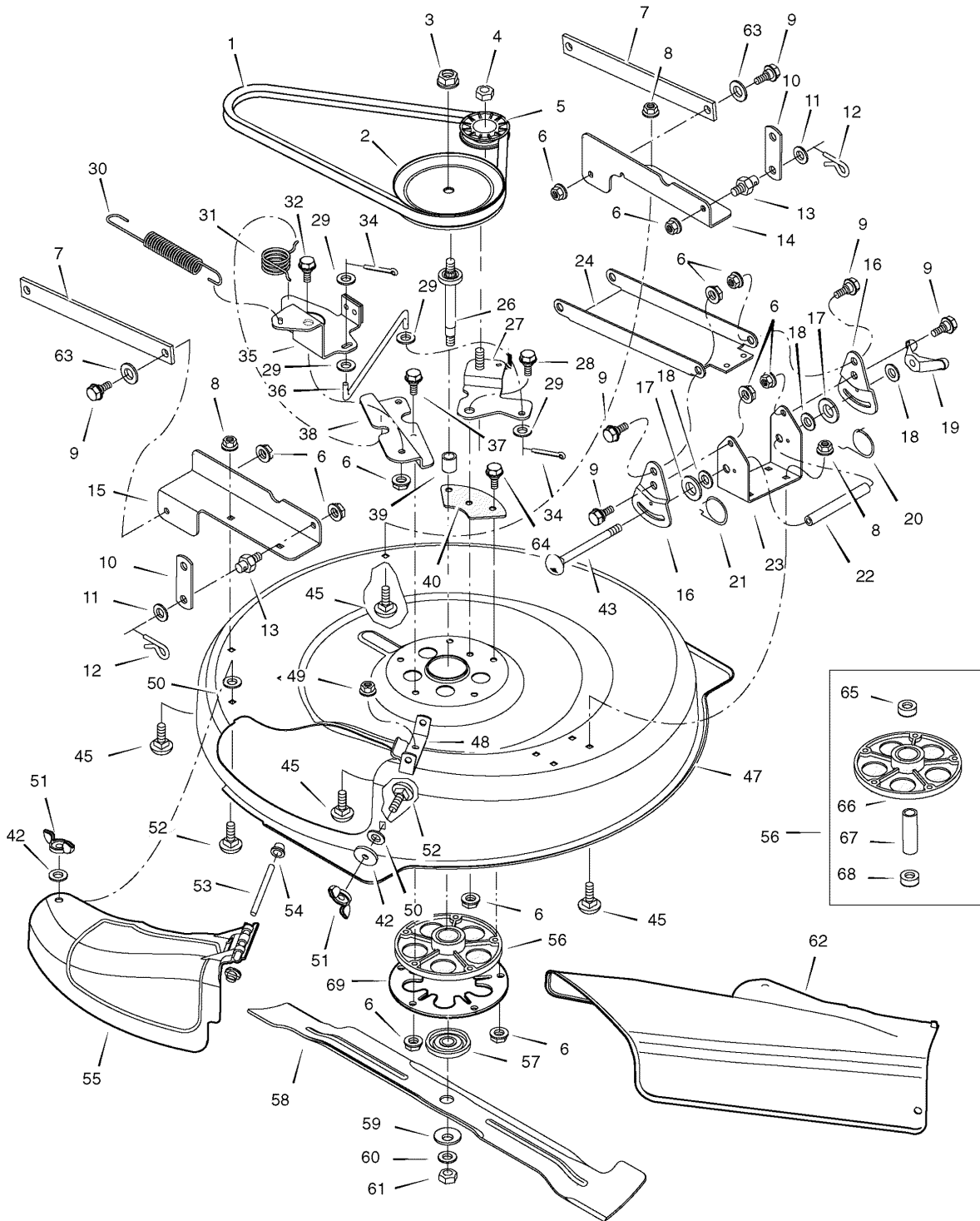
The above parts group applies to the following Mfg. Nos.:

7800530 - 309029x11H - M10/30H

Mower Housing

0011

NOTE: Unless noted otherwise,
use the standard hardware torque
specification chart.



The above parts group applies to the following Mfg. Nos.:
7800530 - 309029x11H - M10/30H

Mower Housing

REF NO	PART NO.		DESCRIPTION
1	MU37X111MA	1	BELT, Blade Drive
2	MU1401092MA	1	PULLEY, Input
3	MU15X140MA	1	LOCKNUT
4	MU015X98MA	1	NUT, Flange
5	MU1401252MA	1	PULLEY, Idler
6	MU015X84MA	4	NUT, Flange
7	MU1401031E701MA	2	ARM, Rear
8	MU015X79MA	4	NUT, Flange
9	MU009X58MA	4	BOLT, Shoulder
10	MU1401033E701MA	2	LINK, Lift
11	MU017X91MA	2	WASHER
12	MU0031X4MA	2	PIN, Hair
13	MU094067MA	2	PIN, Threaded Shoulder
14	MU1401047E701MA	1	BRACKET, Left Rear
15	MU1401296E701MA	1	BRACKET, Right Rear
16	MU1401038E701MA	2	PLATE, Adjustment
17	MU094137MA	2	PAD, Friction
18	MU017X45MA	2	WASHER
19	MU095004MA	2	WINGNUT
20	MU166X43MA	1	SPRING, Left Torsion
21	MU166X42MA	1	SPRING, Right Torsion
22	MU1401095MA	1	TUBE, Spacer
23	MU1401037E701MA	1	BRACKET, Deck
24	MU1401040E701MA	1	HANGER, Front
26	MU1401065MA	1	SHAFT, Splined
27	MU1401258E701MA	1	IDLER ARM, Assembly
28	MU009X39MA	1	BOLT, Shoulder
29	MU017X47MA	4	WASHER
30	MU165X157MA	1	SPRING, Extension
31	MU166X46MA	1	SPRING, Torsion
32	MU009X42MA	1	BOLT, Shoulder
34	MU030X20MA	2	PIN, Cotter
35	MU1401185E701MA	1	BRAKE ARM, Assembly
36	MU1401119MA	1	LINK, Idler Arm
37	MU0025X7MA	1	BOLT
38	MU1401052E701MA	1	BRACKET, Brake Mounting
39	MU1401094MA	1	SPACER, Jackshaft
40	MU1401259ZMA	1	PLATE, Idler Mounting
42	MU019X45MA	2	WASHER
43	MU002X94MA	1	BOLT, Carriage
45	MU002X53MA	10	BOLT, Carriage
47	MU1401028E701MA	1	HOUSING, Blade
48	MU1401106E701MA	1	HINGE, Mulching Cover

Footnotes

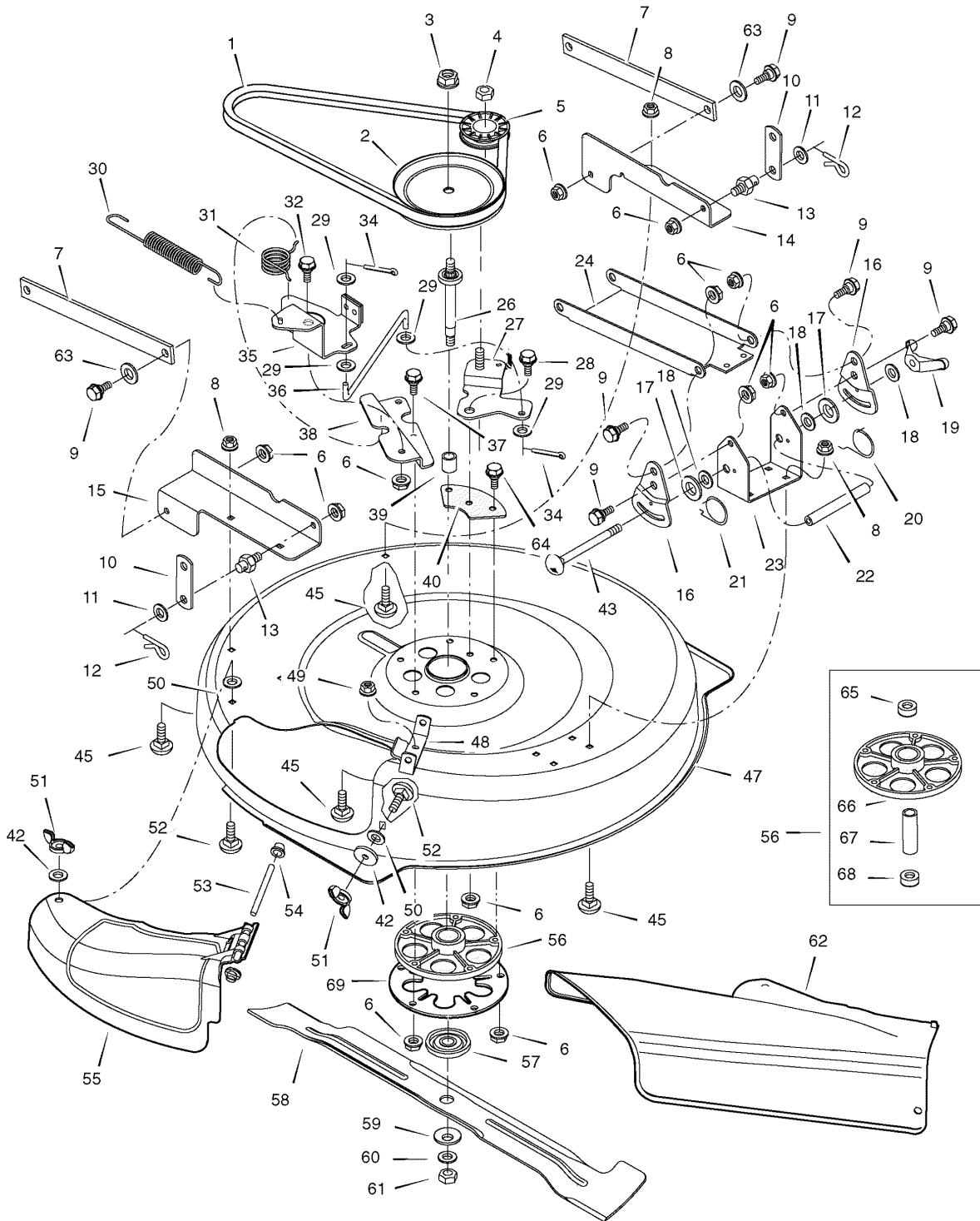
The above parts group applies to the following Mfg. Nos.:

7800530 - 309029x11H - M10/30H

Mower Housing

0011

NOTE: Unless noted otherwise,
use the standard hardware torque
specification chart.



The above parts group applies to the following Mfg. Nos.:
7800530 - 309029x11H - M10/30H

Mower Housing

REF NO	PART NO.		DESCRIPTION
49	MU015X88MA	2	NUT, Flange
50	MU028X76MA	2	NUT, Speed
51	MU014X86MA	2	NUT, Wing
52	MU002X74MA	2	BOLT, Carriage
53	MU091767ZMA	1	ROD, Chute Deflector
54	MU028X23MA	2	CAP, Push
55	MU1401080MA	1	COVER, Mulch
56	MU094305MA	1	MANDREL, Housing
57	MU1001035MA	1	ADAPTER, Blade
58	MU1401079E701MA	1	BLADE
59	MU17X166MA	1	WASHER, Cup
60	MU17X165MA	1	WASHER
61	MU15X100MA	1	NUT, Blade Mount
62	MU1401081MA	1	DEFLECTOR, Chute
63	MU17X120MA	2	WASHER
64	MU025X23MA	5	BOLT
65	MU092281MA	1	BEARING, Upper Jackshaft
66	MU94282MA	1	JACKSHAFT, Housing
67	MU090904MA	1	BEARING, Spacer
68	MU092282MA	1	BEARING, Lower Jackshaft
69	MU7300836ZMA	1	PLATE, Jackshaft Support

Footnotes

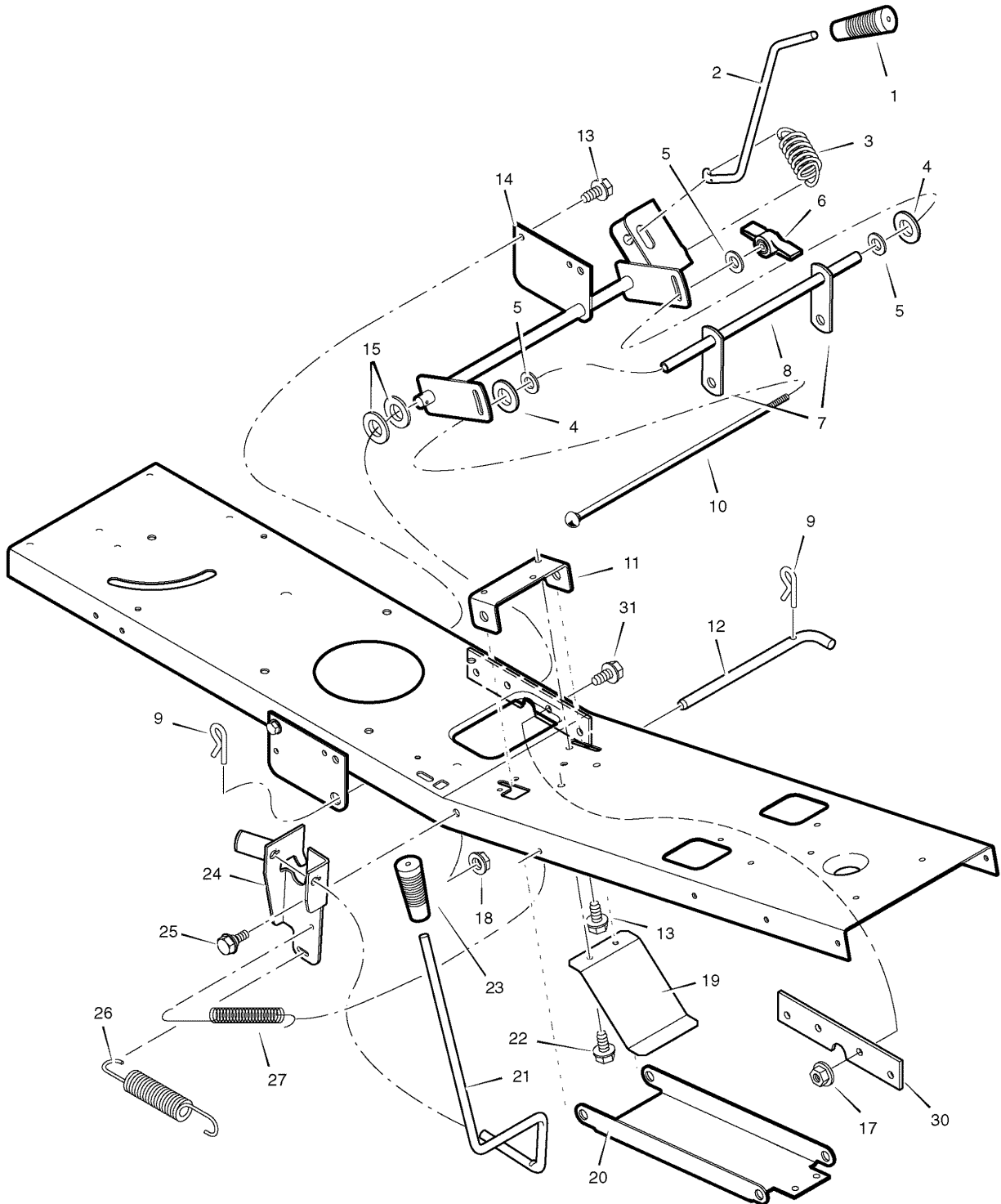
The above parts group applies to the following Mfg. Nos.:

7800530 - 309029x11H - M10/30H

Mower Housing Suspension

0009

NOTE: Unless noted otherwise,
use the standard hardware torque
specification chart.



The above parts group applies to the following Mfg. Nos.:

7800530 - 309029x11H - M10/30H

Mower Housing Suspension

REF NO	PART NO.		DESCRIPTION
1	MU092697MA	1	GRIP, Lift Lever
2	MU1401117MA	1	LEVER, Lift
3	MU165X154MA	1	SPRING, Extension
4	MU094137MA	2	PAD, Friction
5	MU017X45MA	2	WASHER
6	MU095004MA	1	NUT, Wing
7	MU1401033E701MA	2	LINK, Lift
8	MU1401096MA	1	TUBE, Spacer
9	MU0031X4MA	1	PIN, Hair
10	MU002X93MA	1	BOLT, Carriage
11	MU1401030E701MA	1	BRACKET, Front Hanger Pivot
12	MU1401118MA	1	PIN, Front Hanger
13	MU26X249MA	4	SCREW
14	MU1401129E701MA	1	ARM ASSEMBLY, Lifter
15	MU17X206MA	2	WASHER
17	MU015X79MA	2	NUT, Flange
18	MU015X84MA	1	NUT, Flange
19	MU1401147MA	1	SPRING, Leaf
20	MU1401040E701MA	1	HANGER, Front
21	MU1401116MA	1	LEVER, PTO
22	MU26X263MA	2	SCREW
23	MU094198MA	1	GRIP, PTO
24	MU1401369E701MA	1	BRACKET, PTO
25	MU009X42MA	1	BOLT, Shoulder
26	MU165X157MA	1	SPRING, Extension
27	MU165X92MA	1	SPRING, Extension
30	MU1401260E701MA	1	PLATE, Reinforcement
31	MU26X249MA	2	SCREW

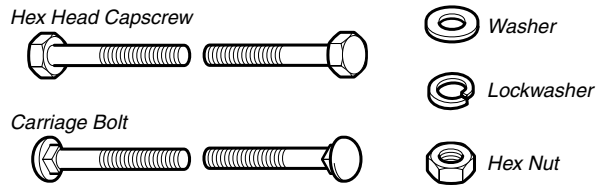
Footnotes

The above parts group applies to the following Mfg. Nos.:

7800530 - 309029x11H - M10/30H

Hardware Identification & Torque Specifications

Common Hardware Types

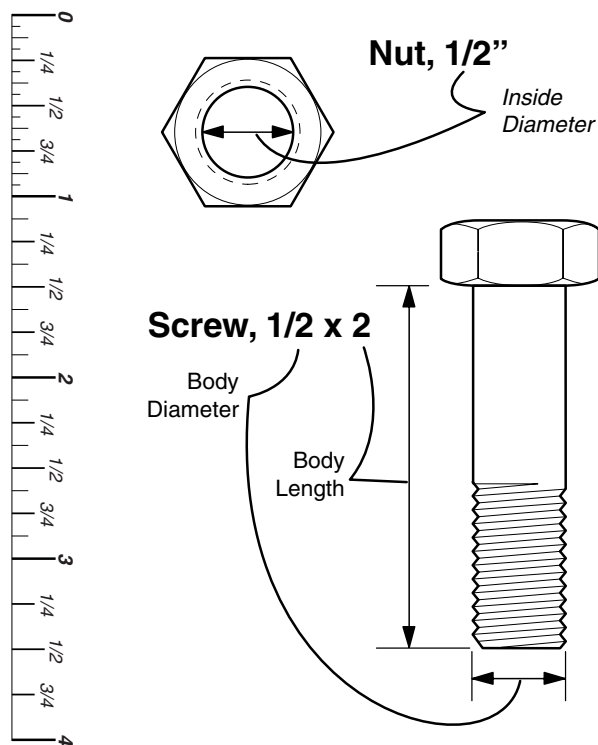


Standard Hardware Sizing

When a washer or nut is identified as 1/2", this is the *Nominal size*, meaning the *inside diameter* is 1/2 inch; if a second number is present it represents the *threads per inch*

When bolt or capscrew is identified as 1/2 - 16 x 2", this means the *Nominal size*, or *body diameter* is 1/2 inch; the second number represents the *threads per inch* (16 in this example, and the final number is the *body length* of the bolt or screw (in this example 2 inches long).

The guides and ruler furnished below are designed to help you select the appropriate hardware and tools.



Torque Specification Chart

FOR STANDARD MACHINE HARDWARE (Tolerance ± 20%)

Hardware Grade	No Marks SAE Grade 2		SAE Grade 5		SAE Grade 8	
	in/lbs ft/lbs	Nm.	in/lbs ft/lbs	Nm.	in/lbs ft/lbs	Nm.
8-32	19	2.1	30	3.4	41	4.6
8-36	20	2.3	31	3.5	43	4.9
10-24	27	3.1	43	4.9	60	6.8
10-32	31	3.5	49	5.5	68	7.7
1/4-20	66	7.6	8	10.9	12	16.3
1/4-28	76	8.6	10	13.6	14	19.0
5/16-18	11	15.0	17	23.1	25	34.0
5/16-24	12	16.3	19	25.8	27	34.0
3/8-16	20	27.2	30	40.8	45	61.2
3/8-24	23	31.3	35	47.6	50	68.0
7/16-14	30	40.8	50	68.0	70	95.2
7/16-20	35	47.6	55	74.8	80	108.8
1/2-13	50	68.0	75	102.0	110	149.6
1/2-20	55	74.8	90	122.4	120	163.2
9/16-12	65	88.4	110	149.6	150	204.0
9/16-18	75	102.0	120	163.2	170	231.2
5/8-11	90	122.4	150	204.0	220	299.2
5/8-18	100	136	180	244.8	240	326.4
3/4-10	160	217.6	260	353.6	386	525.0
3/4-16	180	244.8	300	408.0	420	571.2
7/8-9	140	190.4	400	544.0	600	816.0
7/8-14	155	210.8	440	598.4	660	897.6
1-8	220	299.2	580	788.8	900	1,244.0
1-12	240	326.4	640	870.4	1,000	1,360.0

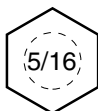
NOTES

- These torque values are to be used for all hardware excluding: locknuts, self-tapping screws, thread forming screws, sheet metal screws and socket head setscrews.
- Recommended seating torque values for locknuts:
 - for prevailing torque locknuts - use 65% of grade 5 torques.
 - for flange whizlock nuts and screws - use 135% of grade 5 torques.
- Unless otherwise noted on assembly drawings, all torque values must meet this specification.

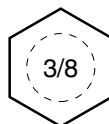
Wrench & Fastener Size Guide



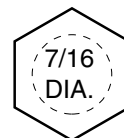
1/4" Bolt or Nut
Wrench—7/16"



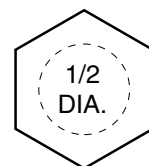
5/16" Bolt or Nut
Wrench—1/2"



3/8" Bolt or Nut
Wrench—9/16"



7/16" Bolt or Nut
Wrench (Bolt)—5/8"
Wrench (Nut)—11/16"



1/2" Bolt or Nut
Wrench—3/4"

