

**13/30**

---

**HERITAGE TRACTOR  
CODE 131E**

**ILLUSTRATED PARTS LIST**

**CODE SERIAL NO.**  
**131E 470000001**  
ISSUE 01/22/2007  
1740521

**PART NO: 111-1181 (Rev A)**

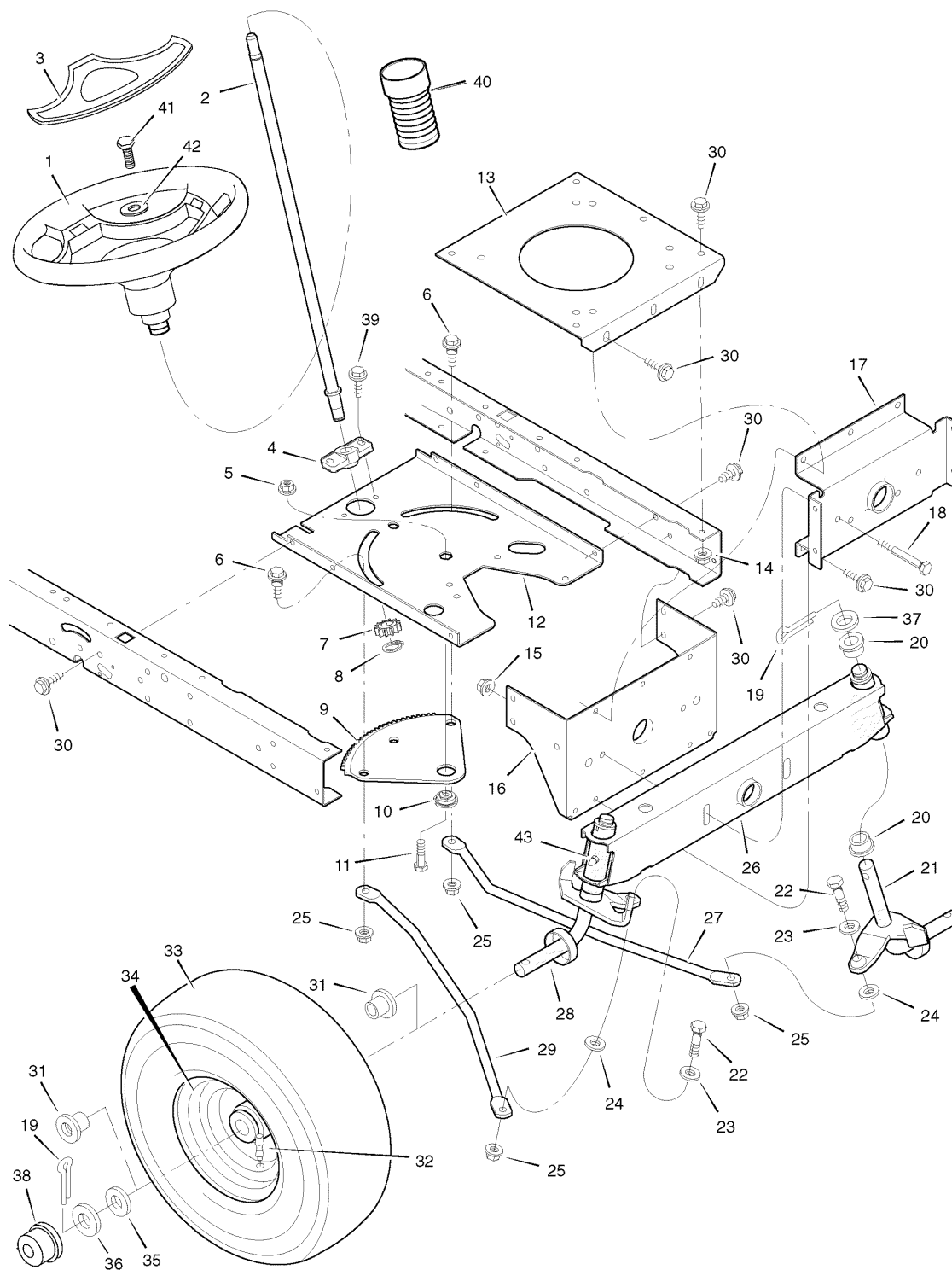


<b>PRODUCT COMPONENTS</b>	<b>PAGES</b>
Steering .....	4
Engine Mount .....	6
Motion Drive .....	8
Electrical System .....	12
Chassis & Hood .....	14
Decals .....	18
Grass Bagger .....	20
Mower Housing .....	22
Mower Housing Suspension .....	26
<b>Torque Specification Chart .....</b>	<b>Inside Back Cover</b>

# Steering

0007

**NOTE: Unless noted otherwise, use the standard hardware torque specification chart.**



**The above parts group applies to the following Mfg. Nos.:**  
312002x11E - 13/30, Heritage Tractor (2007)

## Steering

REF NO	PART NO.	DESCRIPTION
1	MU1001980MA	Wheel, Steering
2	MU690625MA	Post, Steering
3	MU1001982MA	Insert, Steering Wheel
4	MU094124MA	Bearing, Lower
5	MU15x111MA	Nut, Flange
6	MU009x57MA	Bolt, Shoulder
7	MU1001893MA	Gear, Pinion
8	MU011x25MA	Ring, Snap
9	MU094121MA	Gear, Sector
10	MU094123MA	Bearing
11	MU001x84MA	Bolt
12	MU1001121E701MA	Plate, Steering
13	MU094006E701MA	Plate, Engine
14	MU015x88MA	Nut, Flange
15	MU15x118MA	Nut, Flange
16	MU1001270E701MA	Bracket, Hanger
17	MU094007E701MA	Axle, Hanger
18	MU01x146MA	Bolt
19	MU030x49MA	Pin, Cotter
20	MU690150MA	Bearing
21	MU1001299E701MA	Spindle Assembly, Left
22	MU01x111MA	Bolt
23	MU17x104MA	Washer
24	MU017x53MA	Washer
25	MU015x84MA	Nut, Flange
26	MU690210MA	Axle Assembly
27	MU095329E701MA	Drag Link, Left
28	MU1001298E701MA	Spindle Assembly, Right
29	MU095328E701MA	Drag Link, Right
30	MU26x249MA	Screw
31	MU091334MA	Bearing, Wheel
32	MU024373MA	Stem, Valve
33	MU090594MA	* Tire
--	MU407046MA	Tube
34	MU690377601MA	* Wheel and Tire Assembly
35	MU17x195MA	Washer
36	MU17x192MA	Washer
37	MU17x113MA	Washer
38	MU094618MA	Hub Cap
39	MU26x267MA	Screw
40	MU092059MA	Bellows
41	MU0025x3MA	Bolt
42	MU17x146MA	Washer
43	MU092530MA	Fitting, Grease

### Footnotes

NOTE\* When you order a tire, make sure to give the brand name of the tire so that the tread pattern on the tire will match.

---

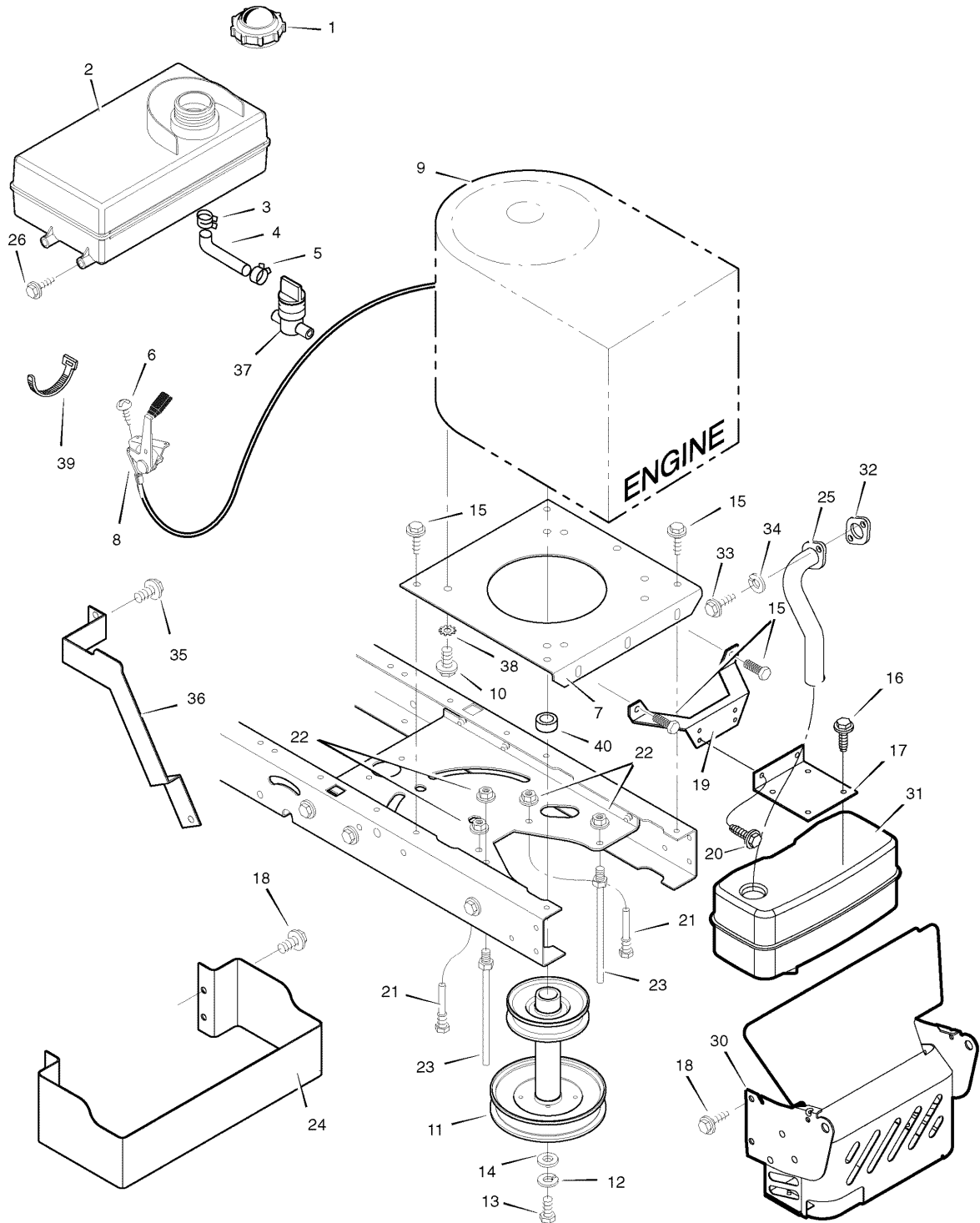
**The above parts group applies to the following Mfg. Nos.:**

312002x11E - 13/30, Heritage Tractor (2007)

# Engine Mount

0013

**NOTE:** Unless noted otherwise,  
use the standard hardware torque  
specification chart.



**The above parts group applies to the following Mfg. Nos.:**  
312002x11E - 13/30, Heritage Tractor (2007)

## Engine Mount

REF NO	PART NO.	DESCRIPTION
1	MU092317MA	Fuel Cap (Included with Ref. No. 2)
2	MU1002081MA	Fuel Tank
3	MU095197MA	Hose Clamp (Included with Ref. No. 2)
4	MU7601033MA	Fuel Line (Cut to length) (Included with Ref. No. 2)
5	MU095197MA	Hose Clamp (Included with Ref. No. 2)
6	MU26x201MA	Screw
7	MU094006E701MA	Plate, Engine
8	MU092371MA	Throttle Control
9	-----	* Engine, Briggs & Stratton (Model: 2198070146E1)
10	MU0025x7MA	Bolt, Engine Mount
11	MU690439MA	Stack Pulley Assembly
12	MU019x35MA	Lockwasher
13	MU01x140MA	Bolt, Hex
14	MU17x170MA	Washer
15	MU26x249MA	Screw
16	MU26x229MA	Screw
17	MU690538E701MA	Bracket, Muffler
18	MU26x277MA	Screw
19	MU690537E701MA	Bracket, Muffler Mount
20	MU26x213MA	Screw
21	MU094384MA	Guide, Belt
22	MU015x79MA	Nut, Flange
23	MU094066MA	Guide, Belt
24	MU1001620E701MA	Guard, Heat Shield
25	MU1001747MA	Exhaust Tube, Single
26	MU26x253MA	Screw
30	MU1001619E701MA	Shield, Heat
31	MUMU094654MA	Muffler
32	MU692236	Gasket
33	MU06x103MA	Screw
34	MU018x15MA	Washer
35	MU06x104MA	Bolt, Washer Hex Head
36	MU1001880MA	Guard, Exhaust Pipe
37	MU698183	Valve, Fuel Shut-Off
38	MU0019x8MA	Washer, 3/8-5/8 Star
39	MU032618MA	Strap, Tie
40	MU093077MA	Spacer, Engine

### Footnotes

NOTE\* For information on Replacement Parts for this engine contact the manufacturer.

---

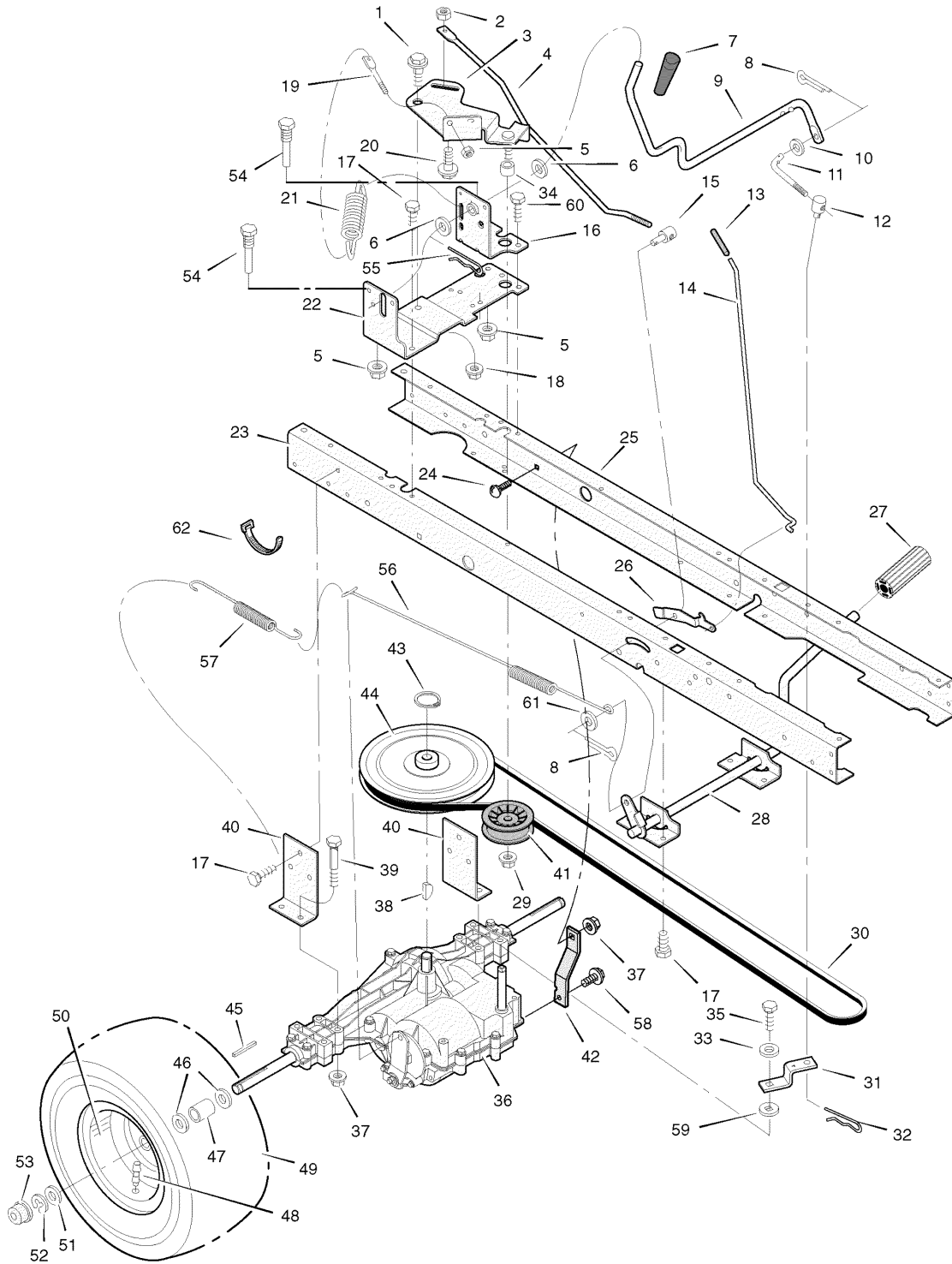
**The above parts group applies to the following Mfg. Nos.:**

312002x11E - 13/30, Heritage Tractor (2007)

# Motion Drive

0005

**NOTE: Unless noted otherwise, use the standard hardware torque specification chart.**



**The above parts group applies to the following Mfg. Nos.:**  
312002x11E - 13/30, Heritage Tractor (2007)



## Motion Drive

REF NO	PART NO.	DESCRIPTION
1	MU009x39MA	Bolt, Shoulder
2	MU015x89MA	Nut, Hex
3	MU690173ZMA	Arm, Idler
4	MU094041ZMA	Rod, Clutch
5	MU015x79MA	Nut
6	MU17x102MA	Washer
7	MU092697MA	Grip
8	MU030x20MA	Pin, Cotter
9	MU094043ZMA	Lever, Shift
10	MU017X47MA	Washer
11	MU094044ZMA	Link, Shift
12	MU021920ZMA	Nut, Adjuster
13	MU091079MA	Grip
14	MU1001245ZMA	Rod, Parking Brake
15	MU094815ZMA	Nut, Adjuster
16	MU1001303ZMA	Bracket, Shift Pivot
17	MU26x249MA	Screw
18	MU015x84MA	Nut
19	MU094042ZMA	Mount, Stud Spring
20	MU009x54MA	Bolt, Shoulder
21	MU165x116MA	Spring, Extension
22	MU1001978E701MA	Bracket, Right Shifter
23	MU1001928E701MA	Frame, Right
24	MU002x53MA	Bolt, Carriage
25	MU1001927E701MA	Frame, Left
26	MU094045ZMA	Latch, Parking Brake
27	MU021544MA	Pedal
28	MU094038E701MA	Lever, Brake/Clutch
29	MU015x98MA	Nut
30	MU037x87MA	Belt, Motion Drive
31	MU094031ZMA	Yoke, Shift
32	MU0031x6MA	Pin, Hair
33	MU017x38MA	Washer
34	MU690369MA	Spacer
35	MU06x105MA	Bolt
36	----	** Transaxle, Peerless
37	MU015x88MA	Nut
38	MU020697MA	Key, Woodruff
39	MU01x155MA	Bolt
40	MU094008E701MA	Bracket, Transaxle
41	MU690409MA	Pulley
42	MU094433E701MA	Bracket, Transaxle Support
43	MU0011x7MA	Ring, Snap
44	MU095094MA	Pulley, Drive

### Footnotes

NOTE\* When you order a tire, make sure to give the brand name of the tire so that the tread pattern on the tire will match.

NOTE\*\* For information on Replacement Parts for this transaxle contact the manufacturer.

---

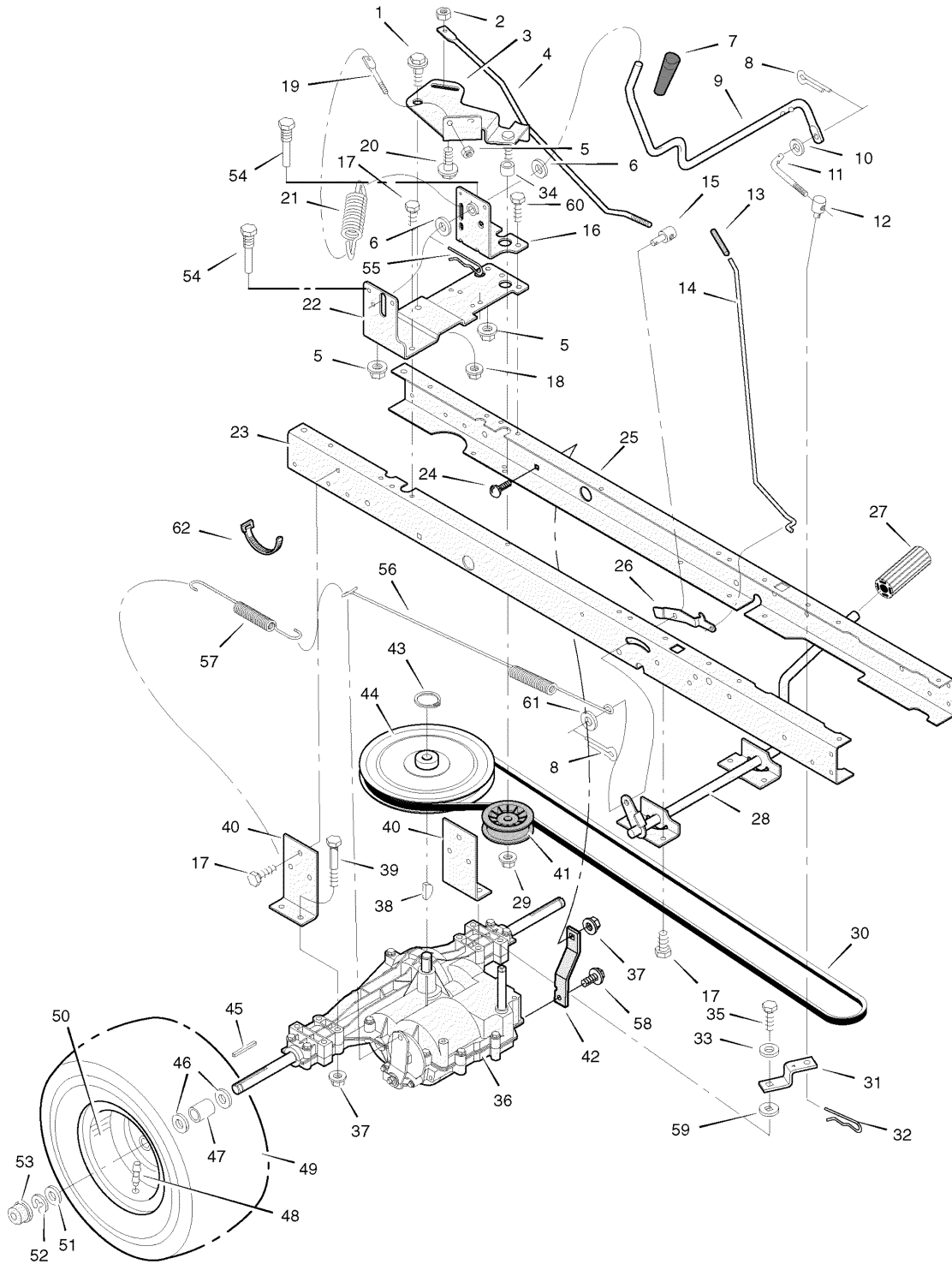
### The above parts group applies to the following Mfg. Nos.:

312002x11E - 13/30, Heritage Tractor (2007)

# Motion Drive

0005

**NOTE:** Unless noted otherwise, use the standard hardware torque specification chart.



**The above parts group applies to the following Mfg. Nos.:**  
312002x11E - 13/30, Heritage Tractor (2007)

## **Motion Drive**

---

<b>REF NO</b>	<b>PART NO.</b>	<b>DESCRIPTION</b>
45	MU021553MA	Key, Square
46	MU17x160MA	Washer
47	MU690554ZMA	Spacer, Transaxle
48	MU024373MA	Stem, Valve
49	-----	Tire
--	MU407049MA	Tube
50	MU1740470601MA	* Wheel & Tire Assembly
51	MU17x195MA	Washer
52	MU0011x3MA	E-Ring
53	MU094618MA	Hub Cap
54	MU093349MA	Guide, Belt
55	MU0031x4MA	Pin, Hair
56	MU165x141MA	Spring, Extension
57	MU165x92MA	Spring, Extension
58	MU26x216MA	Screw
59	MU17x148MA	Washer
60	MU26x267MA	Screw
61	MU17x169MA	Washer
62	MU032618MA	Tie, Strap

### **Footnotes**

NOTE\* When you order a tire, make sure to give the brand name of the tire so that the tread pattern on the tire will match.

NOTE\*\* For information on Replacement Parts for this transaxle contact the manufacturer.

---

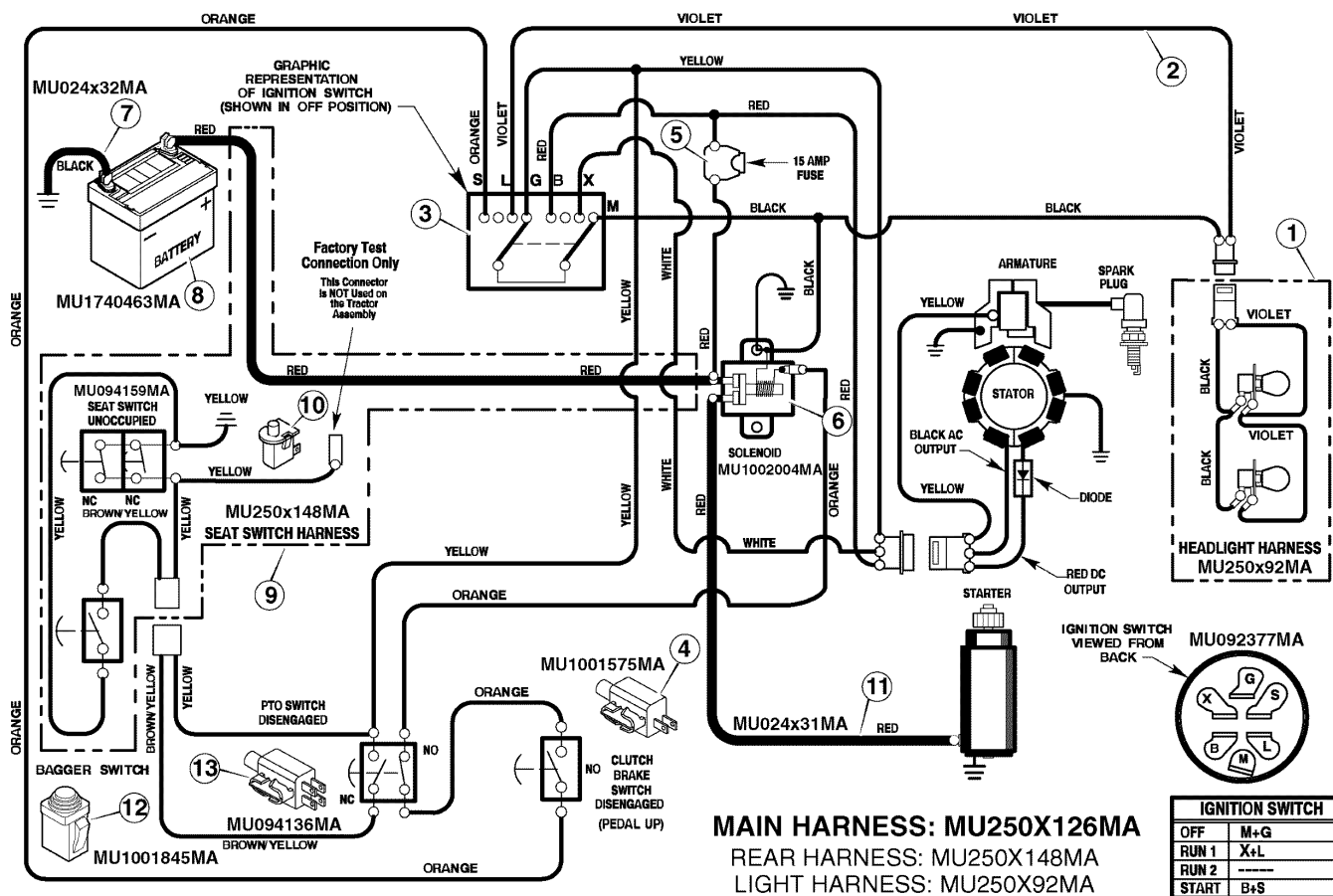
### **The above parts group applies to the following Mfg. Nos.:**

312002x11E - 13/30, Heritage Tractor (2007)

# Electrical System

0015

**NOTE:** Unless noted otherwise, use the standard hardware torque specification chart.



The above parts group applies to the following Mfg. Nos.:  
 312002x11E - 13/30, Heritage Tractor (2007)

## Electrical System

REF NO	PART NO.	DESCRIPTION
1	MU250x92MA	Harness, Light Wire
--	MU1001716MA	Socket, Light
--	MU090084MA	Bulb, Light
2	MU250x126MA	Harness, Chassis Wire
3	MU092377MA	Switch, Ignition
--	MU020729MA	Key, Ignition
--	MU091489MA	Nut, Hex
--	MU091488MA	Cap, Ignition
4	MU1001575MA	Switch, Limit
5	MU302031MA	Fuse
--	MU407078MA	Holder, Fuse
6	MU1002004MA	Solenoid
--	MU26x229MA	Screw, Mounting
--	MU15x116MA	Locknut
7	MU024x32MA	Cable, Battery Ground
--	MU26x229MA	Screw, Ground Cable
8	MU1740463MA	Battery
--	MU002x82MA	Bolt, Carriage
--	MU014x79MA	Wingnut
--	MU690604MA	Boot, Battery -Positive (RED)
9	MU250x130MA	Harness, Seat Switch Wire
10	MU094159MA	Switch, Seat Sensor
11	MU024x31MA	Cable
12	MU1001845MA	Switch, Bag Sensor
13	MU094136MA	Switch, Limit

## Footnotes

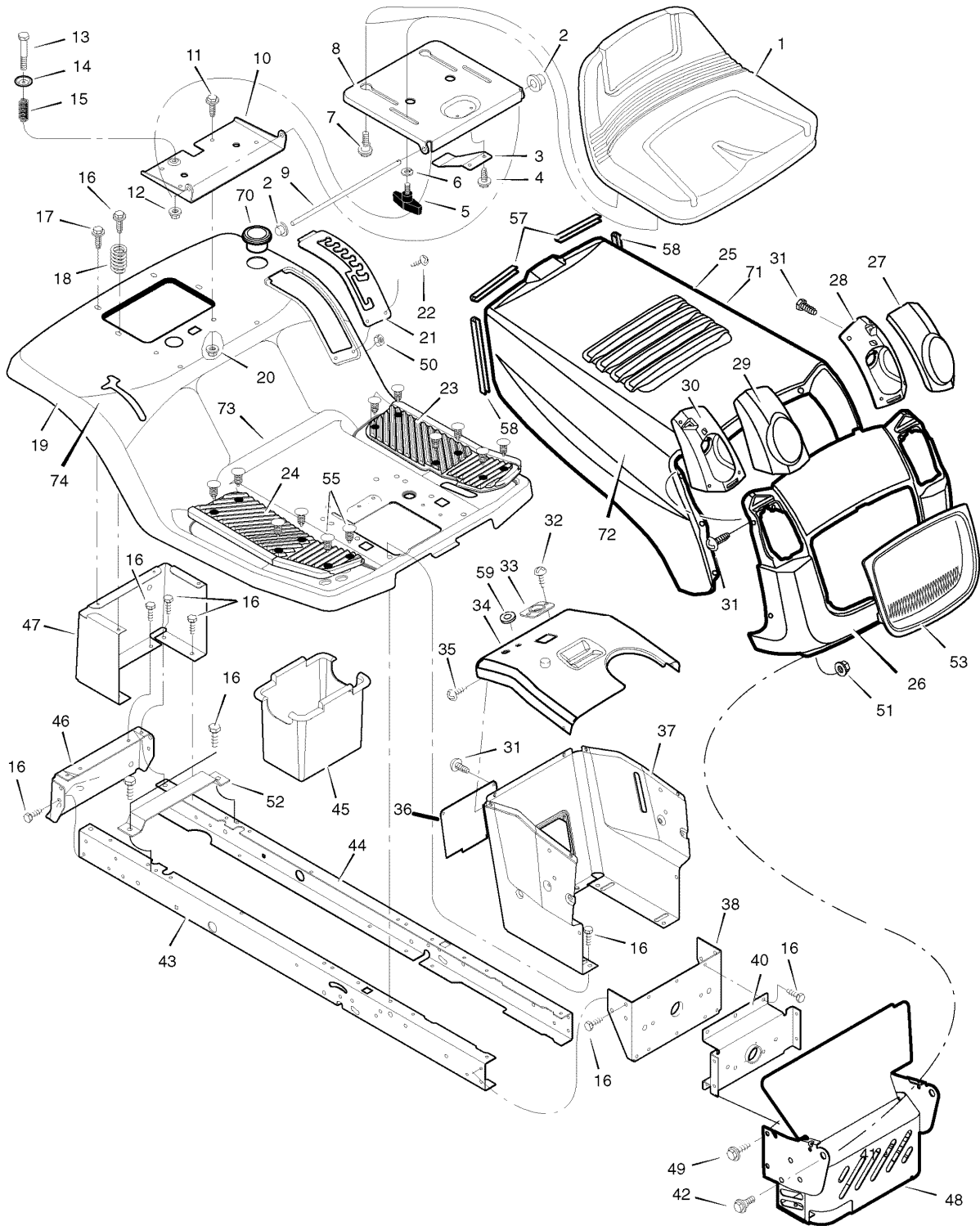
**The above parts group applies to the following Mfg. Nos.:**

312002x11E - 13/30, Heritage Tractor (2007)

## Chassis & Hood

0003

**NOTE:** Unless noted otherwise,  
use the standard hardware torque  
specification chart.



**The above parts group applies to the following Mfg. Nos.:**  
312002x11E - 13/30, Heritage Tractor (2007)

## Chassis & Hood

REF NO	PART NO.	DESCRIPTION
1	MU1001028MA	Seat
2	MU028x23MA	Cap, Push On
3	MU094057MA	Spring
4	MU26x229MA	Screw
5	MU1001054MA	Bolt, Wing
6	MU017X47MA	Washer
7	MU009x56MA	Bolt, Shoulder
8	MU094154E701MA	Support, Seat
9	MU094156ZMA	Rod, Pivot
10	MU1001648E701MA	Bracket, Pivot
11	MU001x45MA	Bolt
12	MU015x89MA	Nut
13	MU009x55MA	Bolt, Shoulder
14	MU094155ZMA	Washer
15	MU164x31MA	Spring
16	MU26x249MA	Screw
17	MU26x263MA	Screw
18	MU164x30MA	Spring
19	MU1001987E549MA	Deck, Seat
20	MU15x123MA	Nut
21	MU094829E701MA	Plate, Index
22	MU009x49MA	Screw
23	MU1001582MA	Mat, Left
24	MU1001578MA	Mat, Right
25	MU1001538E549MA	Hood
26	MU1001531E549MA	Grille
27	MU1001546MA	Lens, Left
28	MU1001544MA	Housing, Left Headlamp
29	MU1001545MA	Lens, Right
30	MU1001543MA	Housing, Right Headlamp
31	MU26x270MA	Screw
32	MU26x238MA	Screw
33	MU1001491MA	Bearing, Steering
34	MU1001584E701MA	Dash
35	MU26x201MA	Screw
36	MU093007E701MA	Panel, Access
37	MU095318E701MA	Support, Dash
38	MU1001270E701MA	Bracket, Rear Hanger
40	MU094007E701MA	Axle, Hanger
42	MU009x58MA	Bolt, Shoulder
43	MU1001928E701MA	Frame, Right
44	MU1001927E701MA	Frame, Left
45	MU690424MA	Container, Battery
46	MU1001002E701MA	Plate, Hitch

### Footnotes

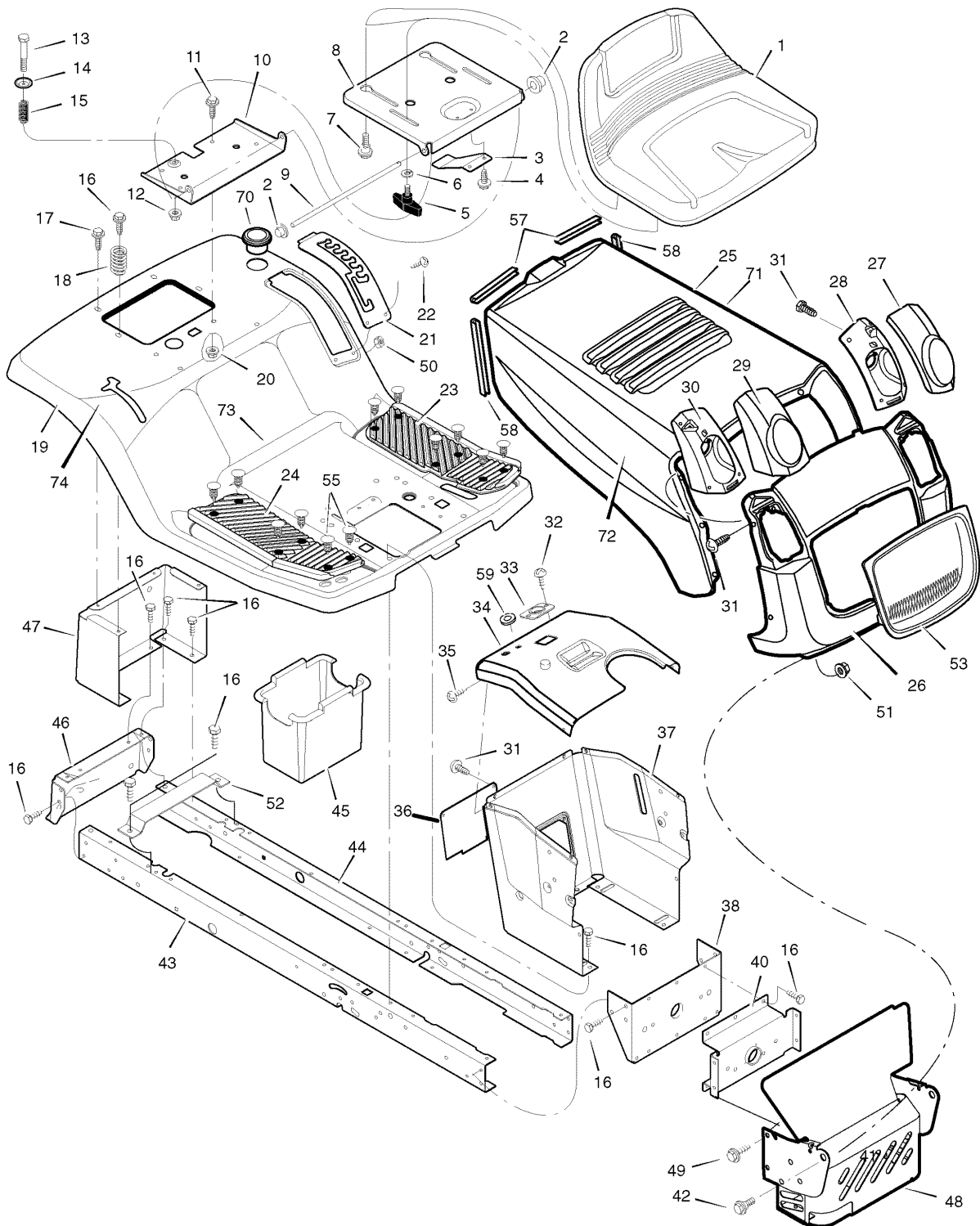
The above parts group applies to the following Mfg. Nos.:

312002x11E - 13/30, Heritage Tractor (2007)

## Chassis & Hood

0003

**NOTE:** Unless noted otherwise,  
use the standard hardware torque  
specification chart.



**The above parts group applies to the following Mfg. Nos.:**  
312002x11E - 13/30, Heritage Tractor (2007)



## **Chassis & Hood**

<b>REF NO</b>	<b>PART NO.</b>	<b>DESCRIPTION</b>
47	MU690434E701MA	Panel, Rear
48	MU1001619E701MA	Shield, Heat
49	MU26x277MA	Screw
50	MU015x81MA	Nut
51	MU015x84MA	Nut
52	MU690482E701MA	Support, Battery
53	MU1001540MA	Insert, Grille
55	MU0193x1MA	Fastener, Panel
57	MU1001652MA	Trim, Hood (3.75")
58	MU1001653MA	Trim, Hood (6.5")
59	MU1001755MA	Grommet, Parking Brake
70	MU1001542MA	Holder, Cup
71	MU131006MA	Decal, Left Hood
72	MU131007MA	Decal, Right Hood
73	MU48x4032MA	Decal, Warning
74	MU48x5451MA	Decal, Shifter
--	MU1002079	Bag, Parts
--	111-1013	Instruction Book
--	111-1181	Manual, Parts List

## **Footnotes**

---

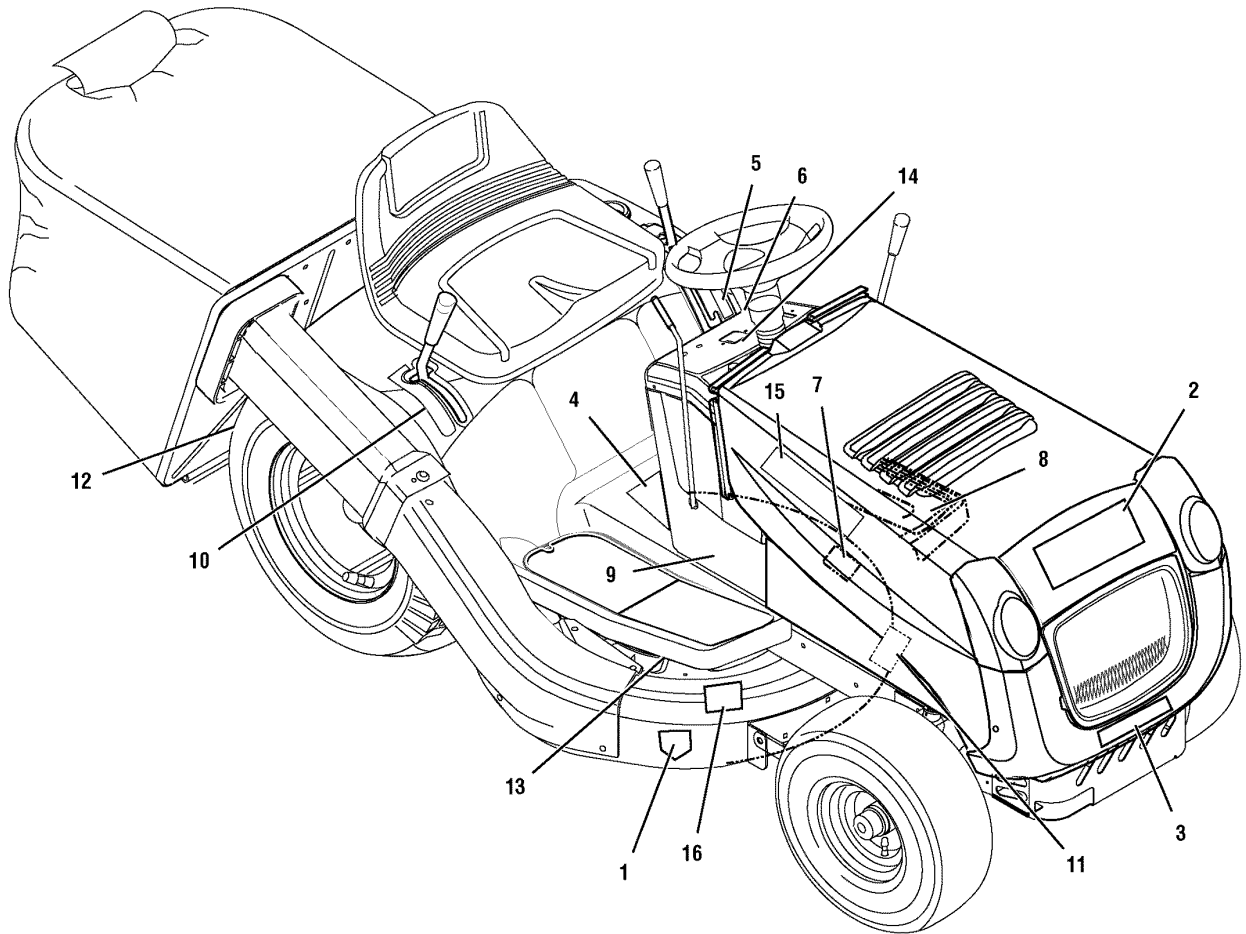
**The above parts group applies to the following Mfg. Nos.:**

312002x11E - 13/30, Heritage Tractor (2007)

## Decals

0023

**NOTE:** Unless noted otherwise,  
use the standard hardware torque  
specification chart.



**The above parts group applies to the following Mfg. Nos.:**

312002x11E - 13/30, Heritage Tractor (2007)

## Decals

REF NO	PART NO.	DESCRIPTION
1	MU48X4033MA	DECAL, Cut Fingers Signal
2	410087	DECAL, Hayter Emblem
3	111-1139	DECAL, 13/30
4	MU48X4032MA	DECAL, Warning Export
5	MU44X7026MA	DECAL, 7 Position Cut Height
6	MU44X7027MA	DECAL, Deck Level
7	MU48X4034MA	DECAL, No Step Export
8	MU44X5437MA	DECAL, Brake/Clutch Export
9	MU44X6466MA	DECAL, B&S Logo
10	MU48X5451MA	DECAL, 5 Speed
11	MU44X5936MA	DECAL, Heat Shield Warning
12	MU48X511MA	DECAL, Warning Load Limit Export
13	MU44X6828MA	DECAL, Warning Pinch Point
14	MU44X6817MA	DECAL, Dash Symbols W1
15	111-1137	DECAL, Hayter Heritage
16	MU48X5911MA	DECAL, 100db Export

## Footnotes

---

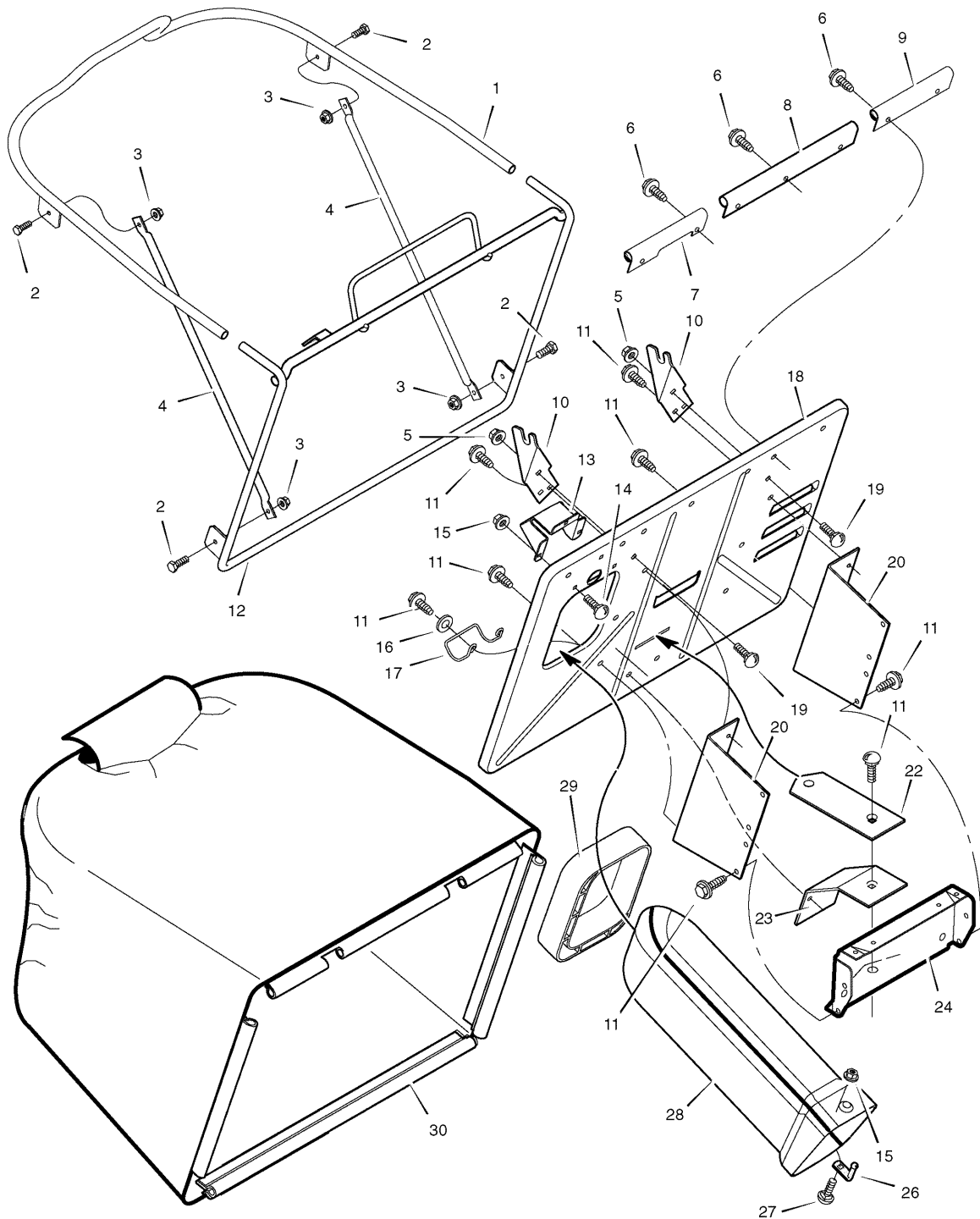
**The above parts group applies to the following Mfg. Nos.:**

312002x11E - 13/30, Heritage Tractor (2007)

# Grass Bagger

0017

**NOTE:** Unless noted otherwise,  
use the standard hardware torque  
specification chart.



**The above parts group applies to the following Mfg. Nos.:**  
312002x11E - 13/30, Heritage Tractor (2007)

## Grass Bagger

REF NO	PART NO.	DESCRIPTION
1	MU690404MA	Tube, Top
2	MU01x121MA	Bolt
3	MU15x116MA	Nut
4	MU690433MA	Strut, Bag
5	MU015x79MA	Nut, Flange
6	MU0193x2MA	Fastener, Panel
7	MU690491MA	Seal, Bag (Right End)
8	MU690492MA	Seal, Bag (Center)
9	MU690493MA	Seal, Bag (Left End)
10	MU690356E701MA	Hinge
11	MU26x249MA	Screw
12	MU690403MA	Assembly, Bag Frame
13	MU690400E701MA	Bracket, Switch
14	MU002x82MA	Bolt, Carriage
15	MU015x89MA	Nut, Flange
16	MU17x185MA	Washer
17	MU690402MA	Latch, Spring
18	MU690362E701MA	Pan, Rear
19	MU002x53MA	Bolt, Carriage
20	MU690355E701MA	Bracket, Bagger Mounting
22	MU1001000E701MA	Plate, Hitch
23	MU1001001E701MA	Bracket, Lower Mounting
24	MU1001002E701MA	Plate, Hitch
26	MU054563MA	Pin, Latch
27	MU002x39MA	Bolt, Carriage
28	MU690368MA	Tube, Connecting
29	MU690429MA	Grommet, Extension Tube
30	MU690438MA	Bag, Grass

### Footnotes

---

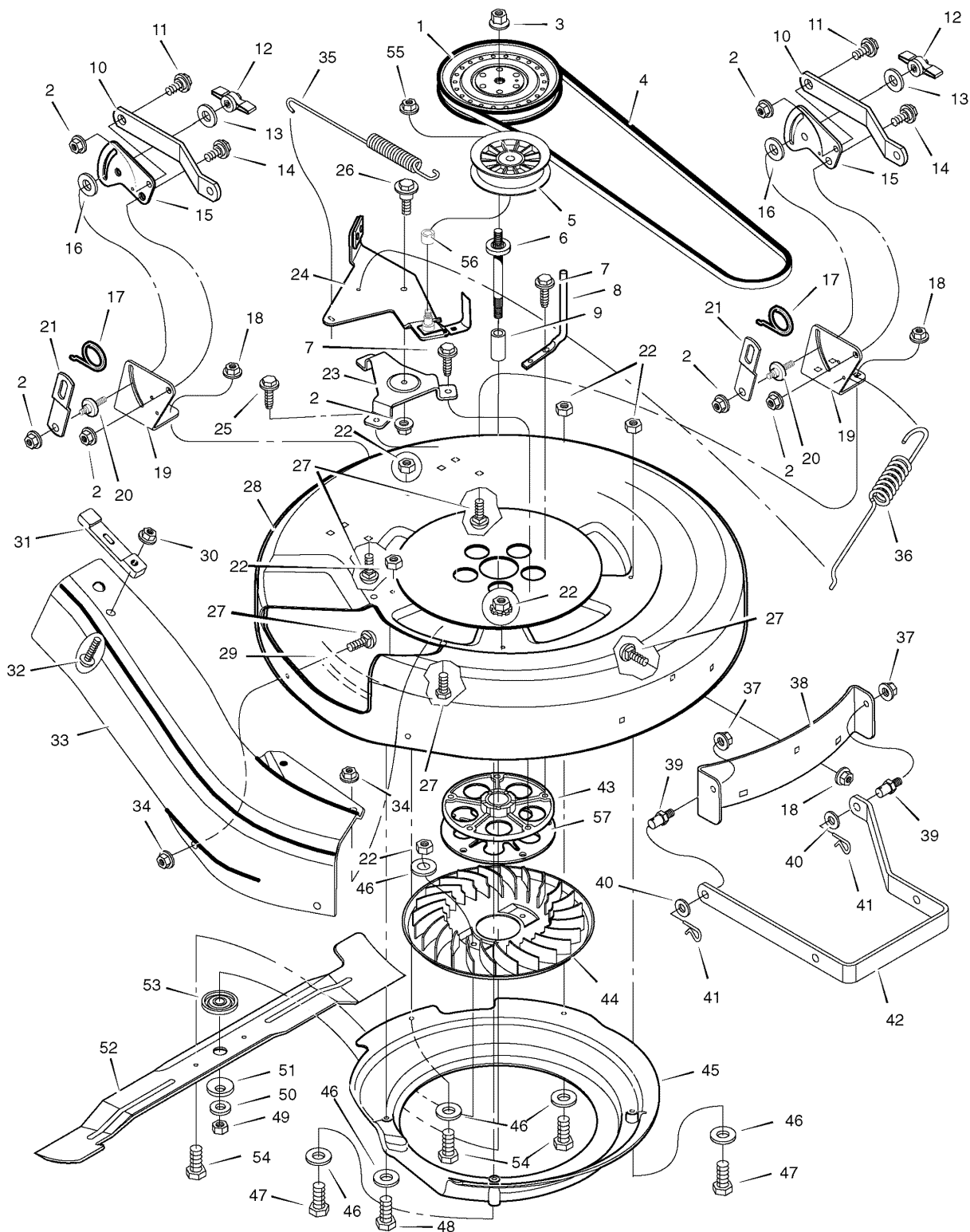
**The above parts group applies to the following Mfg. Nos.:**

312002x11E - 13/30, Heritage Tractor (2007)

# Mower Housing

NOTE: Unless noted otherwise, use the standard hardware torque specification chart.

0011



The above parts group applies to the following Mfg. Nos.:  
312002x11E - 13/30, Heritage Tractor (2007)

## Mower Housing

REF NO	PART NO.	DESCRIPTION
1	MU690432MA	Pulley
2	MU015x84MA	Nut, Flange
3	MU15x140MA	Nut
4	MU037x74MA	Belt, Blade
5	MU091801MA	Pulley, Idler
6	MU094129MA	Mandrel
7	MU025x23MA	Screw
8	MU092424MA	Guide, Belt
9	MU094130MA	Spacer
10	MU094055E701MA	Bracket, Rear Suspension
11	MU009x52MA	Bolt, Shoulder
12	MU094068MA	Knob
13	MU017x45MA	Washer
14	MU009x51MA	Bolt, Shoulder
15	MU690379E701MA	Plate, Suspension
16	MU094137MA	Pad, Friction
17	MU166x43MA	Spring
18	MU015x79MA	Nut, Flange
19	MU690378E701MA	Bracket, Rear Deck
20	MU095194MA	Pin, Hanger
21	MU094053E701MA	Link, Lift
22	MU15x116MA	Nut
23	MU690427E701MA	Bracket, Idler Arm
24	MU1002076MA	Assembly, Idler Arm & Pad
25	MU26x249MA	Screw
26	MU009x39MA	Bolt, Shoulder
27	MU002x64MA	Bolt, Carriage
28	MU690530E701MA	Housing, Blade
29	MU690399E701MA	Baffle
30	MU015x89MA	Nut, Flange
31	MU054695MA	Strap, Rubber
32	MU01x139MA	Screw
33	MU690367MA	Chute
34	MU015x79MA	Nut
35	MU165x118MA	Spring, PTO
36	MU165x140MA	Spring, Extension
37	MU015x84MA	Nut, Flange
38	MU690380E701MA	Bracket, Front Deck
39	MU094067MA	Pin, Threaded Shoulder
40	MU017x91MA	Washer
41	MU0031x4MA	Pin, Hair
42	MU1002067E701MA	Hanger, Front
43	MU1401275MA	Housing, Jackshaft
44	MU690359MA	Fan, Assist

### Footnotes

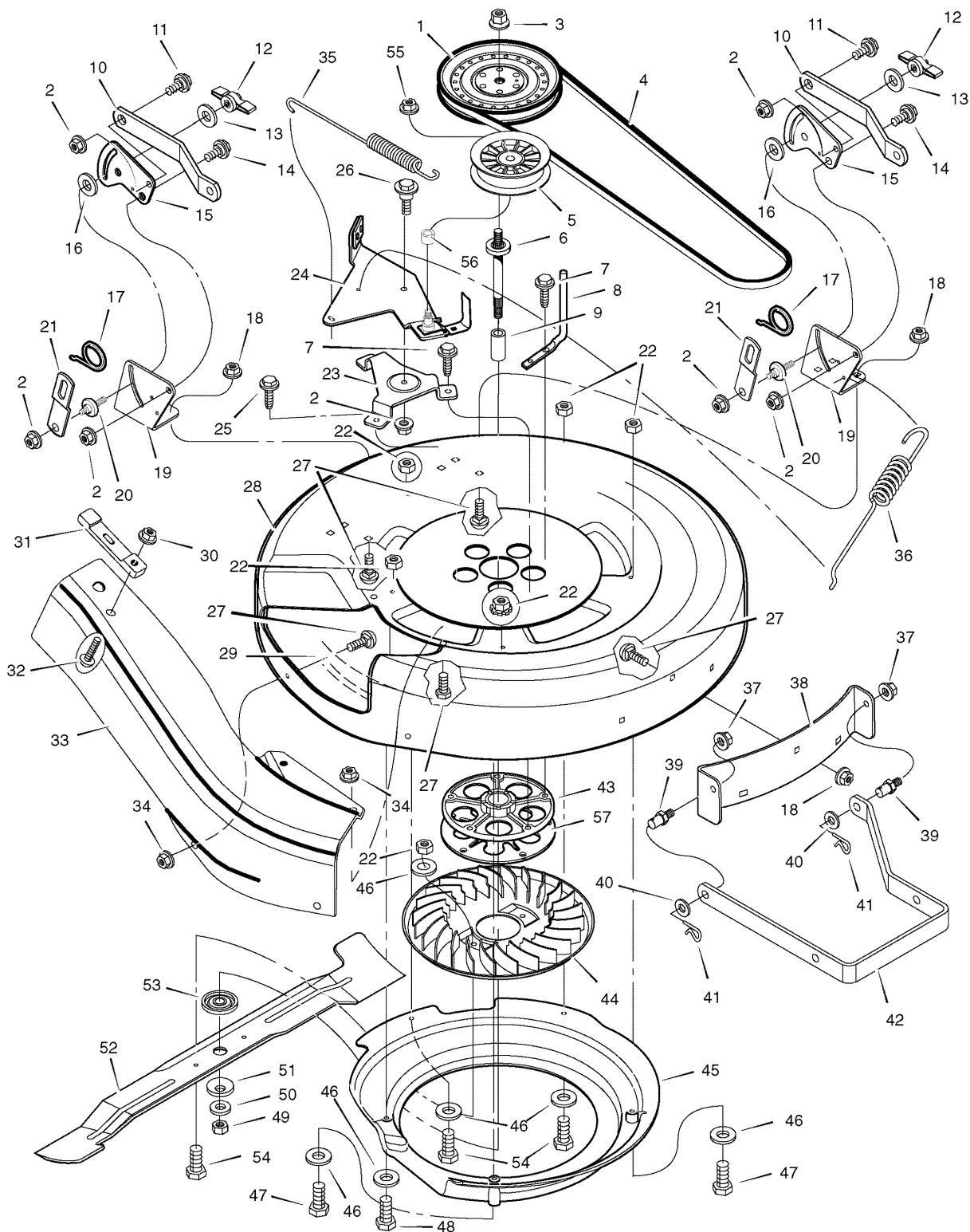
The above parts group applies to the following Mfg. Nos.:

312002x11E - 13/30, Heritage Tractor (2007)

# Mower Housing

0011

**NOTE:** Unless noted otherwise, use the standard hardware torque specification chart.



**The above parts group applies to the following Mfg. Nos.:**  
312002x11E - 13/30, Heritage Tractor (2007)



## **Mower Housing**

---

<b>REF NO</b>	<b>PART NO.</b>	<b>DESCRIPTION</b>
45	MU1001237MA	Housing, Fan
46	MU017x37MA	Washer
47	MU001x71MA	Bolt
48	MU01x106MA	Bolt
49	MU15x100MA	Nut
50	MU17x165MA	Washer
51	MU17x166MA	Washer, Belleville
52	MU1002068E701MA	Blade
53	MU092466MA	Adapter, Blade
54	MU01x121MA	Bolt
55	MU015x98MA	Nut, Flange
56	MU690369MA	Spacer
57	MU1001952E701MA	Plate, Jackshaft Support

## **Footnotes**

---

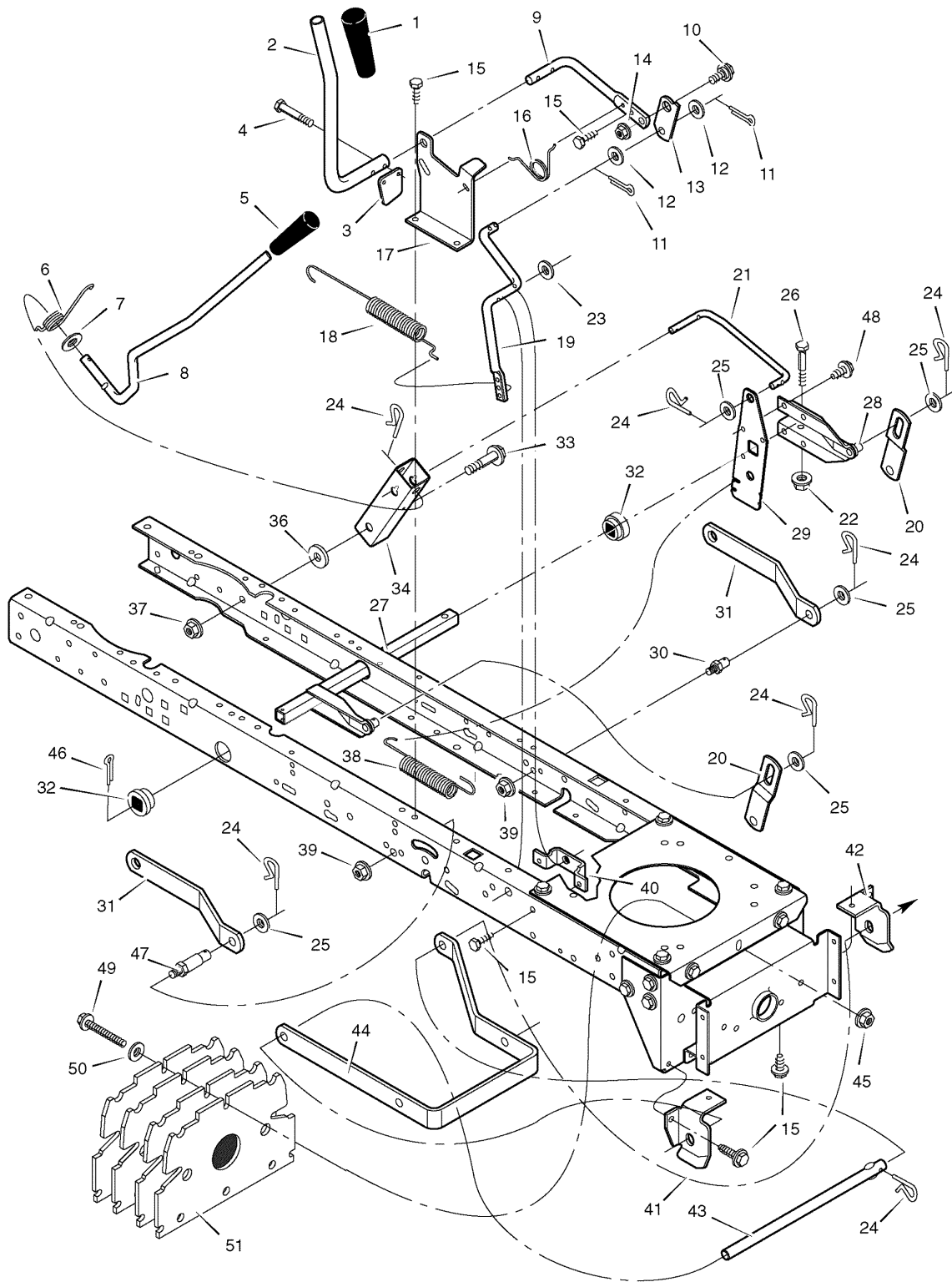
**The above parts group applies to the following Mfg. Nos.:**

312002x11E - 13/30, Heritage Tractor (2007)

# Mower Housing Suspension

0009

**NOTE:** Unless noted otherwise,  
use the standard hardware torque  
specification chart.



**The above parts group applies to the following Mfg. Nos.:**  
312002x11E - 13/30, Heritage Tractor (2007)

## Mower Housing Suspension

REF NO	PART NO.	DESCRIPTION
1	MU092698MA	Grip
2	MU094157ZMA	Handle, PTO
3	MU094022ZMA	Pad, Switch
4	MU0025x3MA	Bolt
5	MU092697MA	Grip
6	MU166x40MA	Spring
7	MU17x103MA	Washer
8	MU690533MA	Handle, Lift
9	MU094017ZMA	Lever, PTO
10	MU009x39MA	Bolt, Shoulder
11	MU030x20MA	Pin, Cotter
12	MU017x57MA	Washer
13	MU094004ZMA	Link, PTO
14	MU015x84MA	Nut, Flange
15	MU26x249MA	Screw
16	MU166x39MA	Spring
17	MU094018E701MA	Bracket, PTO
18	MU165x116MA	Spring
19	MU690394E701MA	Crank, PTO
20	MU094053E701MA	Link, Lift
21	MU95285MA	Link, Lift Handle
22	MU15x118MA	Nut, Flange
23	MU017x57MA	Washer
24	MU0031x4MA	Pin, Hair
25	MU017x91MA	Washer
26	MU001x74MA	Bolt, Hex
27	MU690386E701MA	Arm Assembly, Right Lift
28	MU094180E701MA	Arm, Right Lift
29	MU094030E701MA	Plate, Lift Arm
30	MU094067MA	Pin
31	MU094055E701MA	Bracket, Rear Suspension
32	MU094065MA	Bushing, Lift Tube
33	MU009x53MA	Bolt, Shoulder
34	MU094015E701MA	Bracket, Pivot
36	MU17x191MA	Washer
37	MU015x84MA	Nut, Flange
38	MU165x117MA	Spring
39	MU015x68MA	Nut, Flange
40	MU094005E701MA	Bracket, PTO
41	MU094026E701MA	Hanger, Right Deck
42	MU094027E701MA	Hanger, Left Deck
43	MU094158ZMA	Rod, Hanger
44	MU1002067E701MA	Hanger, Front
45	MU015x89MA	Nut, Flange

### Footnotes

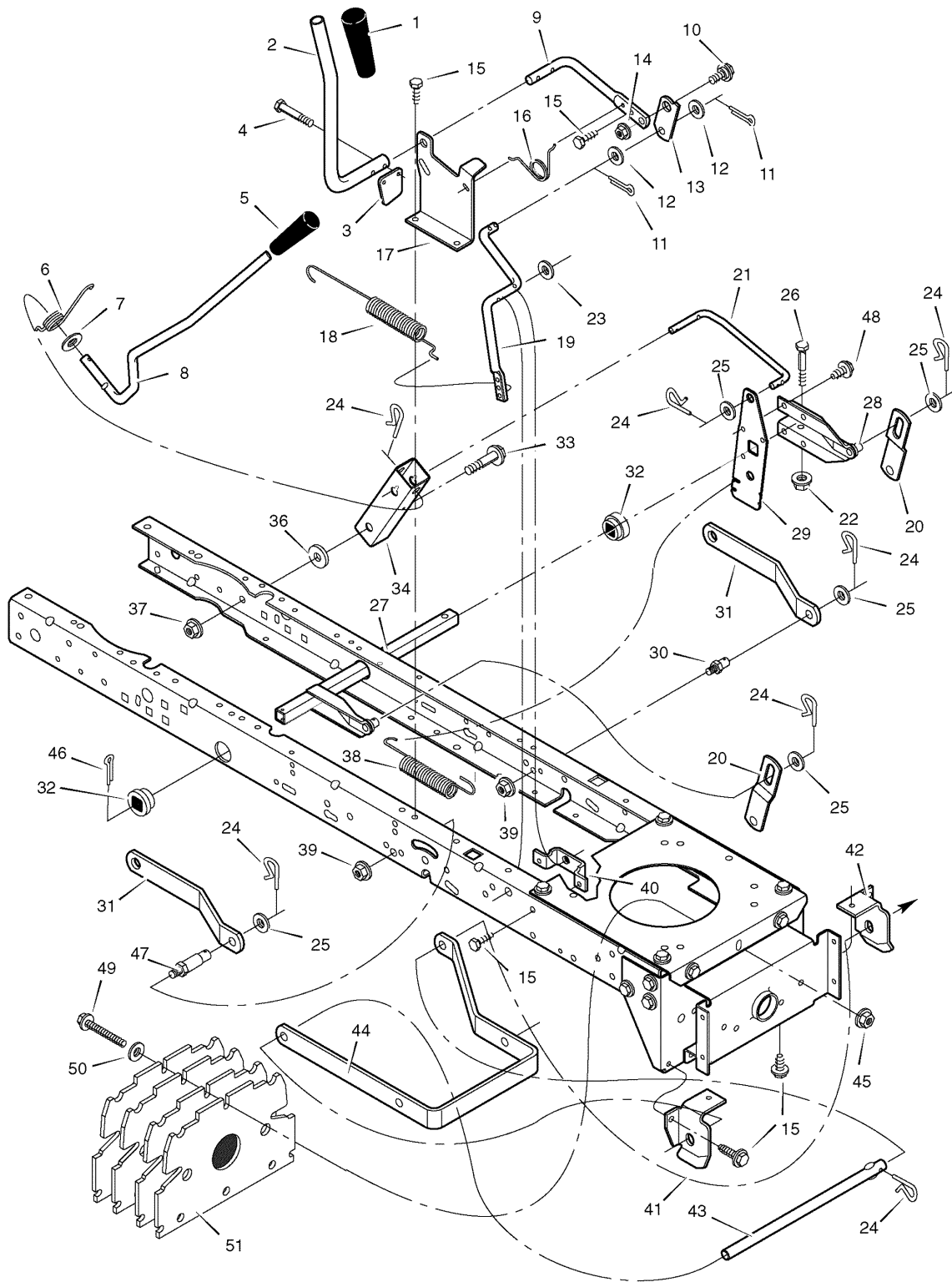
The above parts group applies to the following Mfg. Nos.:

312002x11E - 13/30, Heritage Tractor (2007)

# Mower Housing Suspension

0009

**NOTE:** Unless noted otherwise,  
use the standard hardware torque  
specification chart.



**The above parts group applies to the following Mfg. Nos.:**  
312002x11E - 13/30, Heritage Tractor (2007)

## ***Mower Housing Suspension***

---

<b>REF NO</b>	<b>PART NO.</b>	<b>DESCRIPTION</b>
46	MU030x49MA	Pin, Cotter
47	MU690382MA	Pin, Threaded Shoulder
48	MU026x49MA	Screw
49	MU01x106MA	Bolt, Hex
50	MU017x38MA	Washer
51	MU690370E701MA	Plate, Weight (4 Required)

### **Footnotes**

---

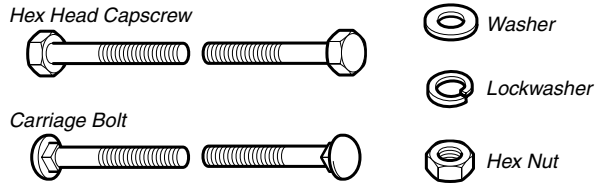
**The above parts group applies to the following Mfg. Nos.:**

312002x11E - 13/30, Heritage Tractor (2007)



# Hardware Identification & Torque Specifications

## Common Hardware Types

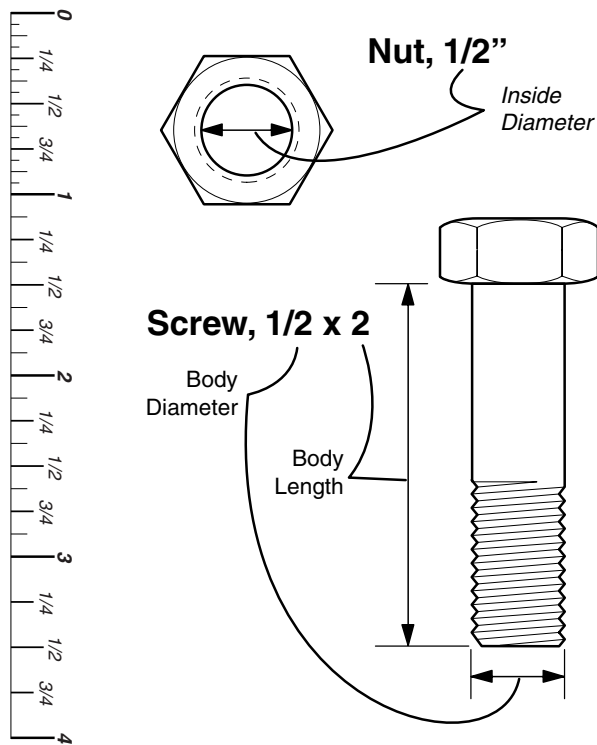


## Standard Hardware Sizing

When a washer or nut is identified as 1/2", this is the *Nominal size*, meaning the *inside diameter* is 1/2 inch; if a second number is present it represents the *threads per inch*

When bolt or capscrew is identified as 1/2 - 16 x 2", this means the *Nominal size*, or *body diameter* is 1/2 inch; the second number represents the *threads per inch* (16 in this example, and the final number is the *body length* of the bolt or screw (in this example 2 inches long).

**The guides and ruler furnished below are designed to help you select the appropriate hardware and tools.**



Torque Specification Chart						
FOR STANDARD MACHINE HARDWARE (Tolerance ± 20%)						
Hardware Grade	No Marks SAE Grade 2		SAE Grade 5		SAE Grade 8	
	in/lbs ft/lbs	Nm.	in/lbs ft/lbs	Nm.	in/lbs ft/lbs	Nm.
8-32	19	2.1	30	3.4	41	4.6
8-36	20	2.3	31	3.5	43	4.9
10-24	27	3.1	43	4.9	60	6.8
10-32	31	3.5	49	5.5	68	7.7
1/4-20	66	7.6	8	10.9	12	16.3
1/4-28	76	8.6	10	13.6	14	19.0
5/16-18	11	15.0	17	23.1	25	34.0
5/16-24	12	16.3	19	25.8	27	34.0
3/8-16	20	27.2	30	40.8	45	61.2
3/8-24	23	31.3	35	47.6	50	68.0
7/16-14	30	40.8	50	68.0	70	95.2
7/16-20	35	47.6	55	74.8	80	108.8
1/2-13	50	68.0	75	102.0	110	149.6
1/2-20	55	74.8	90	122.4	120	163.2
9/16-12	65	88.4	110	149.6	150	204.0
9/16-18	75	102.0	120	163.2	170	231.2
5/8-11	90	122.4	150	204.0	220	299.2
5/8-18	100	136	180	244.8	240	326.4
3/4-10	160	217.6	260	353.6	386	525.0
3/4-16	180	244.8	300	408.0	420	571.2
7/8-9	140	190.4	400	544.0	600	816.0
7/8-14	155	210.8	440	598.4	660	897.6
1-8	220	299.2	580	788.8	900	1,244.0
1-12	240	326.4	640	870.4	1,000	1,360.0

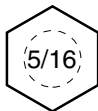
### NOTES

- These torque values are to be used for all hardware excluding: locknuts, self-tapping screws, thread forming screws, sheet metal screws and socket head setscrews.
- Recommended seating torque values for locknuts:
  - for prevailing torque locknuts - use 65% of grade 5 torques.
  - for flange whizlock nuts and screws - use 135% of grade 5 torques.
- Unless otherwise noted on assembly drawings, all torque values must meet this specification.

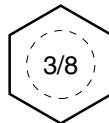
## Wrench & Fastener Size Guide



1/4" Bolt or Nut  
Wrench—7/16"



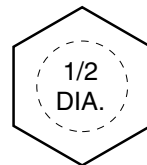
5/16" Bolt or Nut  
Wrench—1/2"



3/8" Bolt or Nut  
Wrench—9/16"



7/16" Bolt or Nut  
Wrench (Bolt)—5/8"  
Wrench (Nut)—11/16"



1/2" Bolt or Nut  
Wrench—3/4"

