

Harrier 56 BBC - Parts List

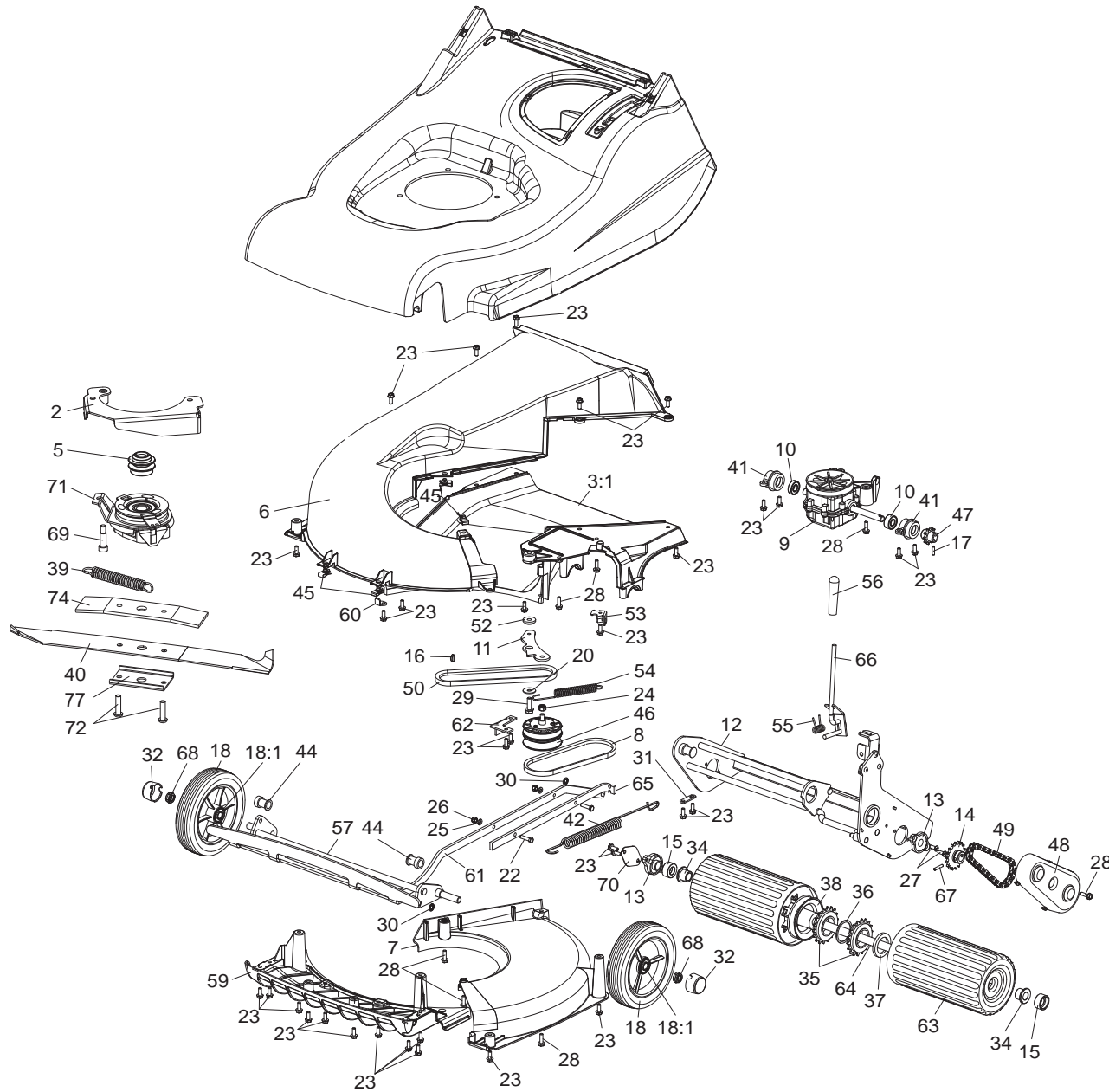
Original Version: EN

Issue : 04.10.13

Code: 563H

From Serial: 314000001 and up

Lower Mainframe

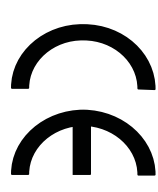


Item No	Description	Part No.	QTY	Notes	Item No	Description	Part No.	QTY	Notes
2	BRACKET BBC W/A	111-0180-03	1		39	SPRING BLADE BRAKE TENSION	343011	1	
3:1	UNDERDECK FIXED	560025	1		40	CUTTERBAR BBC 22"	343034	1	
5	PULLEY 51MM PCD	111-0822	1		41	HOUSING - PIVOT BEARING LH	410048	2	
6	UNDERDECK FIXED	111-1164	1		42	SPRING COUNTER BALANCE	410050	1	
7	UNDERDECK REMOVABLE	111-1163	1		44	BEARING FRONT AXLE	410069	2	
8	V BELT Z502	111-1254	1		45	M6 LUG NUT	410076	4	
9	GEARBOX T/M 4002 EVO	111-3422	1		46	PULLEY VARIATOR ASSEMBLY	411001	1	
10	BEARING 63001-2RS	111-1276	2		47	SPROCKET GEARBOX 10T*3/8"	411011	1	
11	LEVER VARIABLE SPEED *H56*	111-1398	1		48	COVER DRIVE	411013	1	
12	FRAME REAR ROLLER W/A *H56*	111-1485-03	1		49	CHAIN 40 PITCHES 3/8" INC LINK	411016	1	
13	ROLLER BEARING	111-1492	2		50	BELT VARIATOR 520	411024	1	
14	18T SPROCKET	111-1552	1		52	BUSH PIVOT	411031	1	
15	DUST COVER BUSH	111-1860	2		53	BRACKET CABLE	HY412003	1	
16	KEY WOODRUFF N DEG 505	1662	1		54	SPRING VARIATOR	HY412004	1	
17	PIN ROLL DIA 3/16* 3/4	03997	1		55	SPRING TORSION HOC GALVANISED	480132	1	
18	WHEEL 180X45 RIBBED	111-1250	2		56	KNOB HOC	480134	1	
18:1	BEARING 1/2 BALL URALAN	HY300154	2		57	FRONT AXLE W/A HARRIER 56	560008	1	
20	WASHER PLAIN 5/16*1*16G	09270	1		59	FRONT FINS	560014	1	
22	SETSCREW M6*25	09364	2		60	CLAMP UNDERDECK	560027	1	
23	SCREW TAPTITE M6*16	09365	33		61	CONN ROD W/A	560028	1	
24	NUT M8 NYL INSERT T TYPE	09441	1		62	BRACKET CONN ROD	560029	1	
25	WASHER PLAIN M6*12*1.6	09472	2		63	ROLLER REAR W/A HARRIER 56	560031W	2	
26	NUT M6 NYLOC 'P' TYPE GD 8	09544	2		64	ROLLER SHAFT WA *H56*	111-1717	1	
27	SCREW TAPTITE M6*16 C/SK POZI	09545	2		65	BAR SPRING TENSION	560037	1	
28	SCREW TAPTITE M6*20 WASHER	09575	7		66	HOC LEVER W/A	560046	1	
29	SCREW TAPTITE M8*25 HEX W.HD	09787	1		67	PIN SELLOC SPRING 3/16**1 HD	HY03354	1	
30	WASHER STARLOCK 5/16"	0201086	2		68	NUT UNF 1/2"NYLOC EXT THIN5/16	HY4486	2	
31	PLATE SECURING	219037	1		69	SCREW SOC SHLD M10* DIA 12*30 RAW	ZIS8L030S	1	
32	HUB CAP	111-1251	2		70	DUST COVER PLATE	111-1861	1	
34	OILITE BUSH ROLLER	340129	2		71	WARNER BBC 5915-24	485007	1	
35	ROLLER FREEWHEEL-ROCKET BRAND	340150	2		72	SCREW SOC HD CAP M10*35	09717	2	
36	SPACER STEEL 49*41.5*2	340157	1		74	FORMER BBC BLADE	111-2267-03	1	
37	LOCKNUT	340163	1		77	PLATE CLAMP BBC	111-2950	1	
38	SHROUD - FREEWHEEL	340168	1						

Harrier 56 BBC - Declaration Of Conformity

EC DECLARATION OF CONFORMITY

Manufactured by: **HAYTER LIMITED**,
 Address: Spellbrook, Bishop's Stortford, Herts. CM23 4BU. ENGLAND
 declare that the lawnmower :



Model name: **Harrier 56 BBC Autodrive V/S**
 Type: Pedestrian rotary
 Model No: CODE 563
 Cutting width: 56 cm
 Speed of rotation of the cutting device: 2750 rpm
 Engine manufacturer: Briggs and Stratton
 Speed of rotation of engine: 2750 rpm
 Serial No. Range: 314000001 and up

Complies with the provisions of Directive: 2006/42/EC Essential Health & Safety Requirements Relating to the Design & Construction of Machinery and Safety Components and the regulations transposed into national law.
 Also Directive 2004/108/EEC Electromagnetic Compatibility and the regulations transposed into national law.
 Also Directive 2000/14/EC Noise emission in the environment by equipment for use outdoors, as amended and the regulations transposed into national law.
 Procedure applied for the conformity assessment: ANNEX VI, procedure 1.
 Notified Body: Sound Research Laboratories Ltd, Holbrook House, Little Waldingfield, Sudbury, Suffolk. CO10 0TH, ENGLAND
 Notified body identification No: 1088

Measured sound power level: 98 dB(A)
 Guaranteed sound power level: 98 dB(A)
 Signed

S.A. Maryniak
 (Technical Director)

Date: 18.09.13
 Declaration done and technical documentation kept at:
HAYTER LIMITED
 Spellbrook, Bishop's Stortford,
 Herts. CM23 4BU ENGLAND

VIBRATION INFORMATION

Hand / Arm Vibration Level at the Operator Position measured in accordance with European Standard EN 836:
 563
 Measured Vibration Level $a_{hv} = 7.5 \text{ ms}^{-2}$
 Uncertainty of measurement $K = 1.5 \text{ ms}^{-2}$

SOUND PRESSURE INFORMATION

Sound Pressure Level at the Operator Position measured in accordance with European Standard EN 836:
 Measured Sound Pressure Level LPA = 88 dB(A)
 Uncertainty of measurement $K = 2 \text{ dB(A)}$

Serial No.

Upper Mainframe

Item No	Description	Part No.	QTY	Notes	Item No	Description	Part No.	QTY	Notes
1	SCREW TAPTITE UNC 3/8**1 1/4"	09349	3		58	SPRING CABLE ANCHOR	111-0527	1	
2	DECAL	410087	1		61	NIPPLE SPLIT	510118	1	
3	DECK HARRIER *H56*	111-1723-08	1		62	DECAL OPERATION	343019	1	
6	COVER BATTERY	560015	1		63	LABEL SERIAL NUMBER	111-3846	1	
7	ENGINE B&S SERIES 850	111-6621	1		64	DECAL - MADE IN BRITAIN	111-6625	1	
8	DECAL ENGINE - HARRIER 56BBC	111-6657	1						
9	GRIP FIX EXT 5/16"	04020	2						
10	SCREW TAPTITE M6*16	09365	4						
11	SPRING DEFLECTOR	410030	1						
12	RATCHET HOC PLATE	560018	1						
13	ROD DEFLECTOR	560017	1						
14	REAR DEFLECTOR	111-1714	1						
15	DECAL - SAFETY PETROL	111-0083	1						
16	LABEL HEIGHT OF CUT	320006	1						
17	BOLT COACH M8*40 GRADE 8.8	09379	2						
18	FRAME GRASSBAG	111-1497-03	1						
19	GRASSBAG	111-1715	1						
20	NUT M8 NYL INSERT T TYPE	09441	2						
21	KNOB M8 HANDLEBAR 1515	480088	2						
22	CAP FOR M8 NUT BLACK	HY234051	2						
23	HANDLEBAR CLAMP PLATE	340028	2						
24	LOWER HANDLEBAR	111-1384-03	2						
25	PLUG TUBE 7/8**16g EP620/GL22	300160	2						
26	CABLE TIE	HY3966	1						
27	BOLT HANDLEBAR M8*45	HY226024	2						
28	UPPER HANDLEBAR MOULDED	111-3707	1						
30	GUIDE CABLE	410037	4						
31	GUIDE ROPE	305093	1						
32	WASHER PLAIN M6*12*1.6	09472	1						
33	NUT M6 NYLOC 'P' TYPE GD 8	09544	1						
34	SCREW SOC HD CAP M6*85	09685	1						
35	NUT M6 NYLOC 'T' TYPE	09438	1						
38	CONTROL THROTTLE STOP	111-3696	1						
40	CABLE VARIATOR	111-1194	1						
41	CONTROL 56 BBC	111-3661	1						
42	CABLE CLUTCH	111-1469	1						
43	PIN PIVOT	340182	2						
44	LEVER CLUTCH	111-1921-03	1						
45	SCREW DIA 6*20 PT PAN FLANGE	09687	2						
46	WASHER NYLON 19*11*1.6	09688	6						
47	BAILARM BBC	111-3270-03	1						
48	FASTENER DRIVE	300144	2						
49	BUSH CLUTCH LEVER	226034	1						
50	SCREW SOC HD CAP M6*45	ZCS1F045U	1						

