

Harrier 48 - Parts List

Original Version: EN

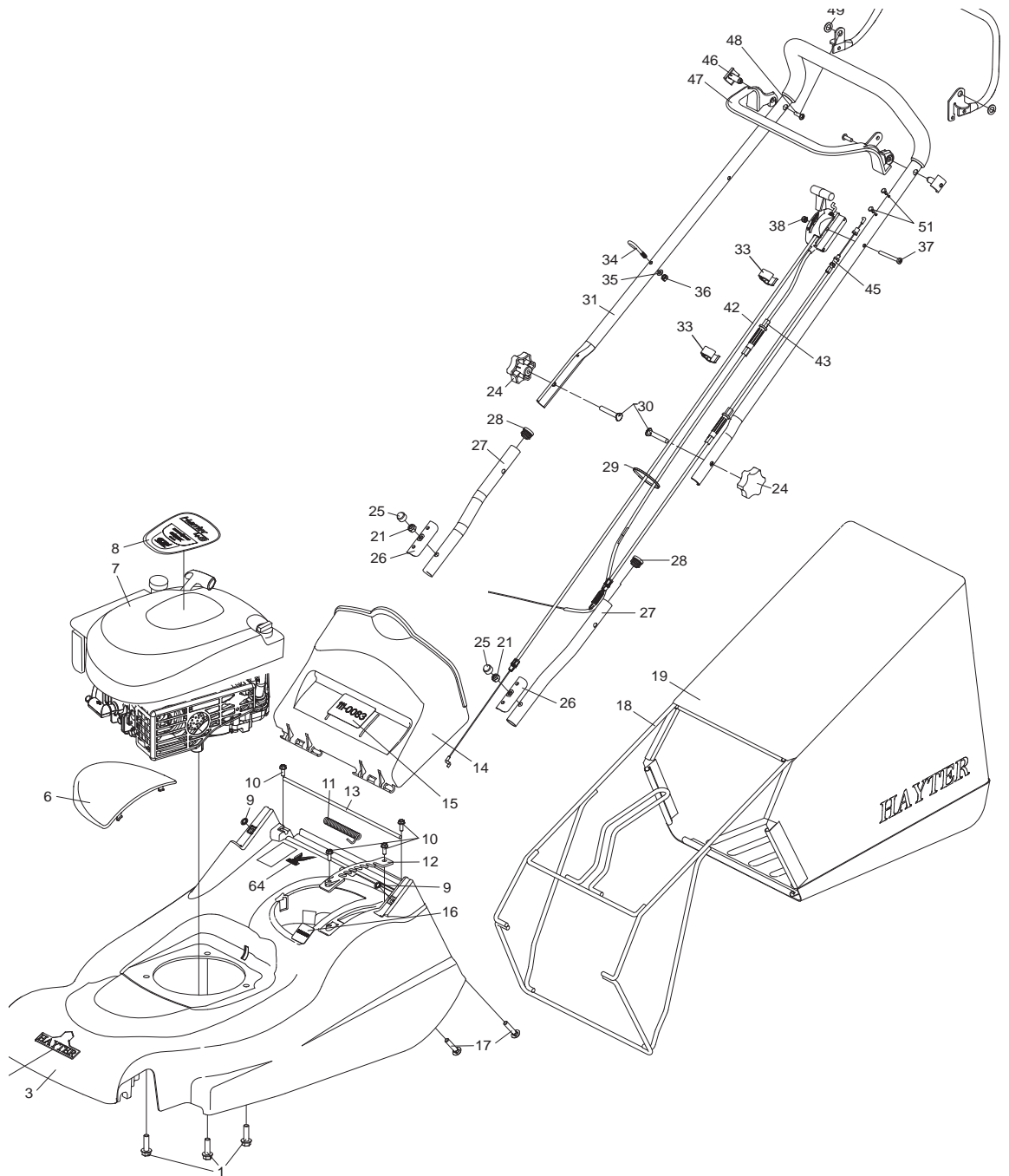
Issue : 01.10.13

Code: 490H

From Serial: 314000001 and up

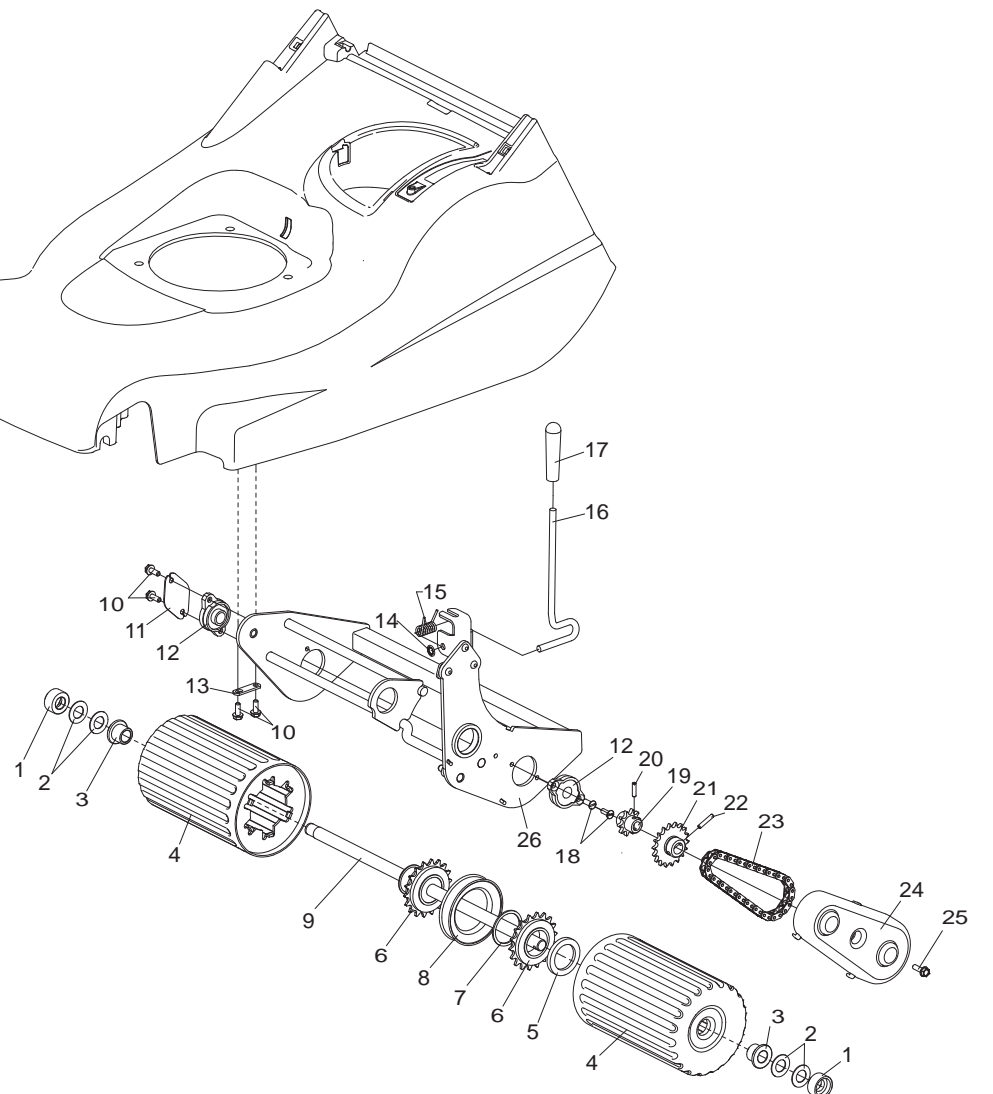
Upper Mainframe

Item No	Description	Part No.	QTY
1	SCREW TAPTITE UNC 3/8"*1 1/4"	09349	3
2	DECAL-HAYTER (LOGO (03))	410087	1
3	MAINFRAME HARRIER 48 (GREEN)	111-1650-08	1
6	COVER BATTERY	111-0595	1
7	ENGINE B&S SERIES 650 XVB COVE	111-6624	1
8	DECAL ENGINE HARRIER 48 (RS)	111-6653	1
9	GRIP FIX EXT 5/16"	04020	2
10	SCREW TAPTITE M6*16	09365	4
11	SPRING DEFLECTOR	410030	1
12	RATCHET PLATE HOC	111-0201	1
13	ROD DEFLECTOR	560017	1
14	REAR DEFLECTOR	111-1714	1
15	DECAL - SAFETY PETROL	111-0083	1
16	LABEL HEIGHT OF CUT	320006	1
17	BOLT COACH M8*40 GRADE 8.8	09379	2
18	FRAME GRASSBAG (BLACK)	111-1497-03	1
19	GRASSBAG	111-1715	1
21	NUT M8 NYL INSERT T TYPE	09441	2
24	KNOB M8 HANDLEBAR 1515	480088	2
25	CAP FOR M8 NUT BLACK	HY234051	2
26	HANDLEBAR CLAMP PLATE	340028	2
27	LOWER HANDLEBAR H48 (BLACK)	111-1913-03	2
28	PLUG TUBE 7/8"*16g EP620/GL22	300160	2
29	CABLE TIE	HY3966	1
30	BOLT HANDLEBAR M8*45	HY226024	2
31	HANDLEBAR UPPER MOULDED	111-0519	1
33	GUIDE CABLE	410037	2
34	GUIDE ROPE	305093	1
35	WASHER PLAIN M6*12*1.6	09472	1
36	NUT M6 NYLOC 'P' TYPE GD 8	09544	1
37	SETSCREW M6*55 POSI PAN Z AND P	09780	2
38	NUT M6 NYLOC 'T' TYPE	09438	2
42	CABLE ENGINE BRAKE	111-0998	1
43	CABLE VARIATOR	111-1193	1
45	CLUTCH CABLE	111-1548	1
46	PIN PIVOT	340182	2
47	LEVER ENGINE	340179	1
48	SCREW DIA 6*20 PT PAN FLANGE	09687	2
49	WASHER NYLON 19*11*1.6	09688	2
50	LEVER CLUTCH (BLACK)	111-1921-03	1
51	FASTENER DRIVE	300144	2
64	DECAL - MADE IN BRITAIN	111-6625	1



Rear Roller Frame

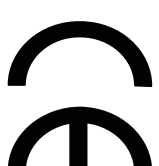
Item No	Description	Part No.	QTY
1	DUST COVER BUSH	111-1860	2
2	WASHER DIA 16.5*30*1 PLAIN STE	480097	4
3	OILITE BUSH ROLLER	340129	2
4	ROLLER REAR W/A HARRIER 48	111-0592-03	2
5	LOCKNUT	340163	1
6	ROLLER FREEWHEEL-ROCKET BRAND	340150	2
7	SPACER STEEL 49*41.5*2	340157	1
8	SHROUD - FREEWHEEL	340168	1
9	ROLLER SHAFT W/A **H48**	111-1727	1
10	SCREW TAPTITE M6*16	09365	4
11	DUST COVER PLATE	111-1861	1
12	ROLLER BEARING	111-1492	2
13	PLATE SECURING	219037	1
14	GRIP FIX EXT 5/16"	04020	1
15	SPRING TORSION HOC GALVANISED	480132	1
16	LEVER HOC	480128	1
17	KNOB HOC	480134	1
18	SCREW TAPTITE M6*16 C/SK POZI	09545	2
19	SPROCKET GEARBOX 10T*3/8"	411011	1
20	PIN ROLL DIA 3/16* 3/4	03997	1
21	18T SPROCKET	111-1552	1
22	PIN SELLOC SPRING 3/16"*1 HD	HY03354	1
23	CHAIN 40 PITCHES 3/8" INCLINK	411016	1
24	COVER DRIVE	411013	1
25	SCREW TAPTITE M6*20 WASHER	09575	1
26	FRAME REAR ROLLER W/A **H48**	111-1187-03	1



Harrier 48 - Declaration Of Conformity

EC DECLARATION OF CONFORMITY

Manufactured by: **HAYTER LIMITED**,
 Address: **Spellbrook, Bishop's Stortford, Herts. CM23 4BU, ENGLAND**
 declare that the lawnmower :



Model name: **Harrier 48**
Autodrive V/S
 Type: **Pedestrian rotary**
 Model No: **CODE 490**
 Cutting width: **48 cm**
 Speed of rotation of the cutting device: **2750 rpm**
 Engine manufacturer: **Briggs and Stratton**
 Speed of rotation of engine: **2750 rpm**
 Serial No. Range: **314000001 and up**

Complies with the provisions of Directive: 2006/42/EC Essential Health & Safety Requirements Relating to the Design & Construction of Machinery and Safety Components and the regulations transposed into national law.

Also Directive 2004/108/EEC Electromagnetic Compatibility and the regulations transposed into national law.

Also Directive 2000/14/EC Noise emission in the environment by equipment for use outdoors, as amended and the regulations transposed into national law.

Procedure applied for the conformity assessment: ANNEX VI, procedure 1.

Notified Body: Sound Research Laboratories Ltd, Holbrook House, Little Waldingfield, Sudbury, Suffolk, CO10 0TH, ENGLAND

Notified body identification No: 1088

Measured sound power level: **96 dB(A)**
 Guaranteed sound power level: **96 dB(A)**

Signed

Date: 18.09.13
 Declaration done and technical documentation kept at:
HAYTER LIMITED
Spellbrook, Bishop's Stortford,
Herts. CM23 4BU ENGLAND

VIBRATION INFORMATION

Hand / Arm Vibration Level at the Operator Position measured in accordance with European Standard EN 836:

Measured Vibration Level $a_{hv} = 3.5 \text{ ms}^{-2}$
 Uncertainty of measurement $K = 1.5 \text{ ms}^{-2}$

SOUND PRESSURE INFORMATION

Sound Pressure Level at the Operator Position measured in accordance with European Standard EN 836:
 Measured Sound Pressure Level LPA = **85 dB(A)**
 Uncertainty of measurement $K = 2 \text{ dB(A)}$

Serial No.

Lower Mainframe

Item No	Description	Part No.	QTY	Notes
1	BOLT UNF 3/8*3.1/4	09788	1	
3	WASHER SPRING 3/8 SC	09273	1	
4	DISTANCE PIECE CUTTERBAR	HY4014	1	
5	CUTTERBAR 19"	480149	1	
8	FRICITION DISC	410057W	1	
9	SCREW TAPTITE M6*16	09365	25	
10	SCREW TAPTITE M6*20 WASHER	09575	5	
11	FRONT FINS	111-0594	1	
13	UNDERDECK COVER	111-0133	1	
14	HUB CAP	111-1251	2	
15	NUT UNF 1/2"NYLOC EXT THIN5/16	HY4486	2	
17	WHEEL 180X45 RIBBED	111-1250	2	
17:1	BEARINGS	111-1252	4	2 PER WHEEL
18	WASHER STARLOCK 5/16"	0201086	2	
19	BEARING FRONT AXLE	410069	2	
20	FRONT AXLE W/A HARRIER 48	111-0588	1	
21	CONNECTING ROD	111-0202	1	
22	BAR SPRING TENSION	111-0672	1	
23	SETSCREW M6*25	09364	2	
24	SPRING COUNTER BALANCE	410050	1	
25	WASHER PLAIN M6*12*1.6	09472	2	
26	NUT M6 NYLOC 'P' TYPE GD 8	09544	2	
27	BRACKET CONN ROD	111-0699	1	
28	CARRIER BLADE BOSS - DIE CAST	410078	1	
29	KEY WOODRUFF N DEG 505	1662	1	
30	SUPPORT BRACKET REAR ROLLER	111-1807	1	
31	THROWPLATE	111-0218	1	
32	M6 LUG NUT	410076	4	
33	UNDERDECK CHUTE	111-0131	1	
34	BELT VARIATOR 536	111-0771	1	
35	PULLEY VARIATOR ASSEMBLY	411001	1	
36	BEARING 63001-2RS	111-1276	2	
37	HOUSING - PIVOT BEARING LH	410048	2	
38	GEARBOX VE4002	111-1273	1	
38:1	PULLEY	111-1941	1	
38:2	PIN	411023	1	
39	BELT VARIATOR 450	411025	1	
44	SCREW TAPTITE M8*25 HEX W.HD	09787	1	
45	WASHER PLAIN 5/16*1*16G	09270	1	
46	SPRING VARIATOR	HY412004	1	
47	BRACKET CABLE	HY412003	1	
48	NUT M8 NYL INSERT T TYPE	09441	1	
49	LEVER VARIABLE SPEED H48	111-1480	1	
50	BUSH PIVOT	411031	1	

