

## Harrier - Parts List

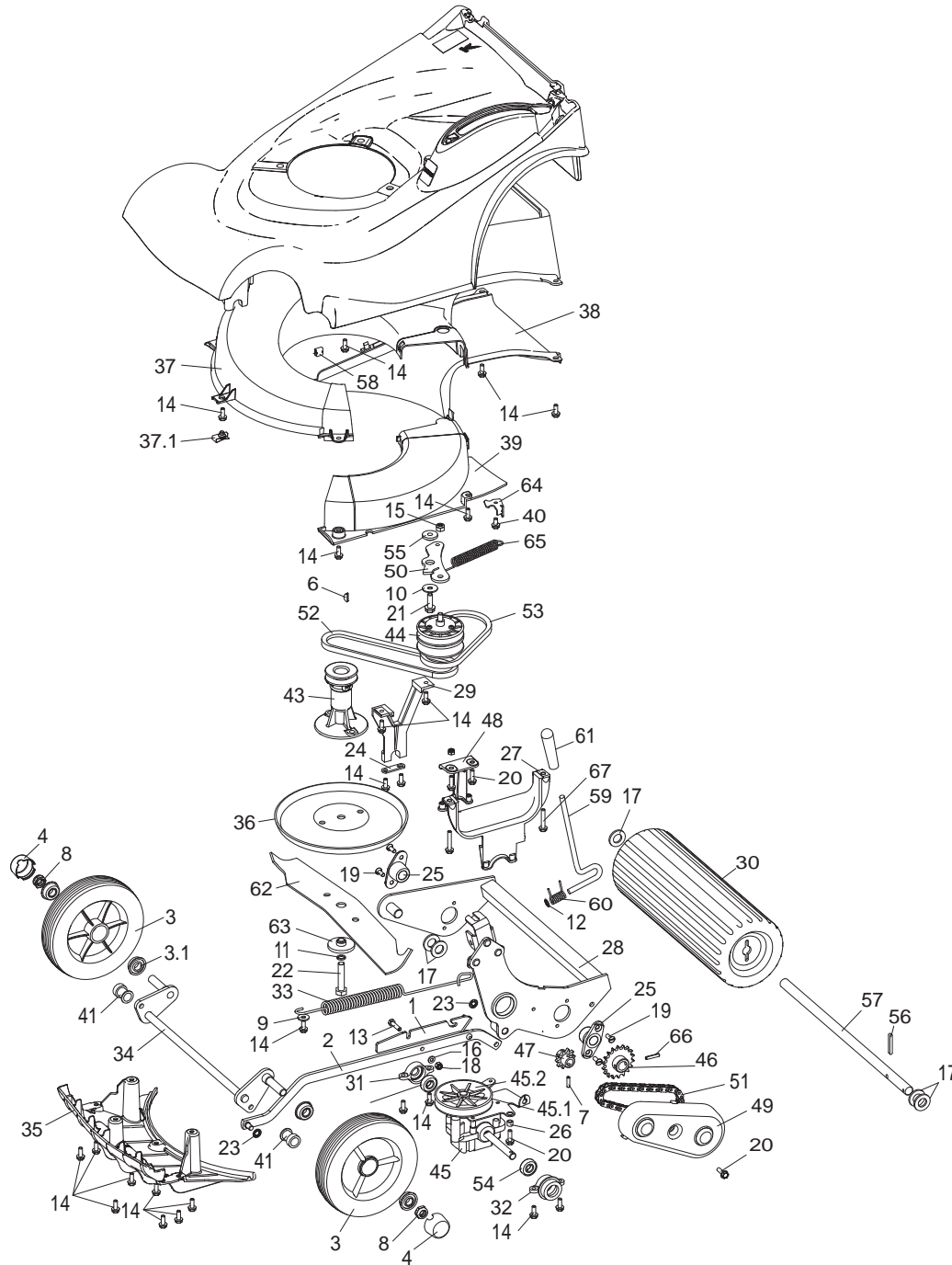
Original Version: EN

Issue : 01.10.13

Codes: 413H

From Serial: 314000001 and up

### Upper Mainframe

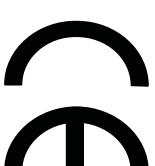


Item No	Description	Part No.	QTY	Notes	Item No	Description	Part No.	QTY	Notes
1	SPRING MOUNT	111-0073	1		36	FRICTION DISC	410057W	1	
2	CONNECTING ROD WA	111-1050	1		37	CHUTE	410058	1	
3	WHEEL 180X45 RIBBED	111-1250	2		37.1	LUG	410076	1	
3.1	BEARING	111-1252	4	2 PER WHEEL	38	THROWPLATE	410059	1	
4	HUB CAP	111-1251	2		39	UNDERDECK COVER	410060	1	
6	KEY WOODRUFF N DEG 505	1662	1		40	SCREW TAPTITE M6*12 W/HD	09546	1	
7	PIN ROLL DIA 3/16* 3/4	03997	1		41	BEARING FRONT AXLE	410069	2	
8	NUT UNF 1/2"NYLOC EXT THIN5/16	HY4486	2		43	CARRIER BLADE BOSS - DIE CAST	410078	1	
9	WASHER 1/4*3/4 GALV ROOFING	09262	1		44	PULLEY VARIATOR ASSEMBLY	411001	1	
10	WASHER PLAIN 5/16*1*16G	09270	1		45	GEARBOX	411002	1	
11	WASHER SPRING 3/8 SC	09273	1		45.1	GEARBOX PIN	411023	1	
12	GRIP FIX EXT 5/16"	04020	1		45.2	GEARBOX PULLEY	111-1941	1	
13	SETSCREW M6*25	09364	1		46	SPROCKET ROLLER 18T*3/8"	411010	1	
14	SCREW TAPTITE M6*16	09365	24		47	SPROCKET GEARBOX 10T*3/8"	411011	1	
15	NUT M8 NYL INSERT T TYPE	09441	1		48	SUPPORT - GEARBOX RH	411012	1	
16	WASHER PLAIN M6*12*1.6	09472	1		49	COVER DRIVE	411013	1	
17	WASHER M16 PLAIN	09491	5		50	LEVER VARIABLE PULLEY	411014	1	
18	NUT M6 NYLOC 'P' TYPE GD 8	09544	1		51	CHAIN 40 PITCHES 3/8" INC LINK	411016	1	
19	SCREW TAPTITE M6*16 C/SK POZI	09545	4		52	BELT VARIATOR 520	411024	1	
20	SCREW TAPTITE M6*20 WASHER	09575	4		53	BELT VARIATOR 450	411025	1	
21	SCREW TAPTITE M8*25 HEX W.HD	09787	1		54	BEARING 6001-2RS	411027	2	
22	BOLT UNF 3/8*3.1/4	09788	1		55	BUSH PIVOT	411031	1	
23	WASHER STARLOCK 5/16"	0201086	2		56	KEY 3/16**3/16**1 1/2" 2R END	411037	1	
24	PLATE SECURING	219037	1		57	SHAFT ROLLER	411038	1	
25	HOUSING BEARING ROLLER	219102	2		58	FASTENER PANEL EDGE	410082	1	
26	BUSH DIA 6.3* DIA 9.5*7	340154	1		59	LEVER HOC	480128	1	
27	BRACKET - PIVOT LH	HY410002	1		60	SPRING TORSION HOC GALVANISED	480132	1	
28	FRAME REAR ROLLER W/A	410011W	1		61	KNOB HOC	480134	1	
29	BRACKET- ROLLER FRAME PIVOT RH	410016	1		62	CUTTERBAR 16"	HY201026	1	
30	ROLLER HARRIER 41	410044	1		63	DISTANCE PIECE CUTTERBAR	HY4014	1	
31	HOUSING - GEARBOX BEARING RH	410047	1		64	BRACKET CABLE	HY412003	1	
32	HOUSING - PIVOT BEARING LH	410048	1		65	SPRING VARIATOR	HY412004	1	
33	SPRING COUNTER BALANCE	410050	1		66	PIN SELLOC SPRING 3/16**1 HD	HY03354	1	
34	AXLE FRONT W/A - H41	410051	1		67	SCREW TAPTITE M6*35 HEX W.HD	09786	2	
35	FINS	410055	1						

# Harrier 41 - Declaration Of Conformity

## EC DECLARATION OF CONFORMITY

Manufactured by: HAYTER LIMITED,  
Address: Spellbrook, Bishop's Stortford, Herts. CM23 4BU. ENGLAND  
declare that the lawnmower :



Model name: **Harrier 41**  
**Autodrive V/S**  
Type: Pedestrian rotary  
Model No: CODE 413  
Cutting width: 41 cm  
Speed of rotation of the cutting device: 2750 rpm  
Engine manufacturer: Briggs and Stratton  
Speed of rotation of engine: 2750 rpm  
Serial No. Range: 314000001 and up

Complies with the provisions of Directive: 2006/42/EC Essential Health & Safety Requirements Relating to the Design & Construction of Machinery and Safety Components and the regulations transposed into national law.

Also Directive 2004/108/EEC Electromagnetic Compatibility and the regulations transposed into national law.

Also Directive 2000/14/EC Noise emission in the environment by equipment for use outdoors, as amended and the regulations transposed into national law.

Procedure applied for the conformity assessment: ANNEX VI, procedure 1.

Notified Body: Sound Research Laboratories Ltd, Holbrook House, Little Waldingfield,

Sudbury, Suffolk. CO10 0TH, ENGLAND

Notified body identification No: 1088

Measured sound power level: 94 dB(A)

Guaranteed sound power level: 96 dB(A)

Signed

S.A Maryniak  
(Technical Director)

Date: 18.09.13  
Declaration done and technical documentation kept at:  
HAYTER LIMITED  
Spellbrook, Bishop's Stortford,  
Herts. CM23 4BU ENGLAND

### VIBRATION INFORMATION

Hand / Arm Vibration Level at the Operator Position measured in accordance with European Standard EN 836:

413

Measured Vibration Level  $a_{hv} = 5 \text{ ms}^{-2}$

Uncertainty of measurement  $K = 1.5 \text{ ms}^{-2}$

### SOUND PRESSURE INFORMATION

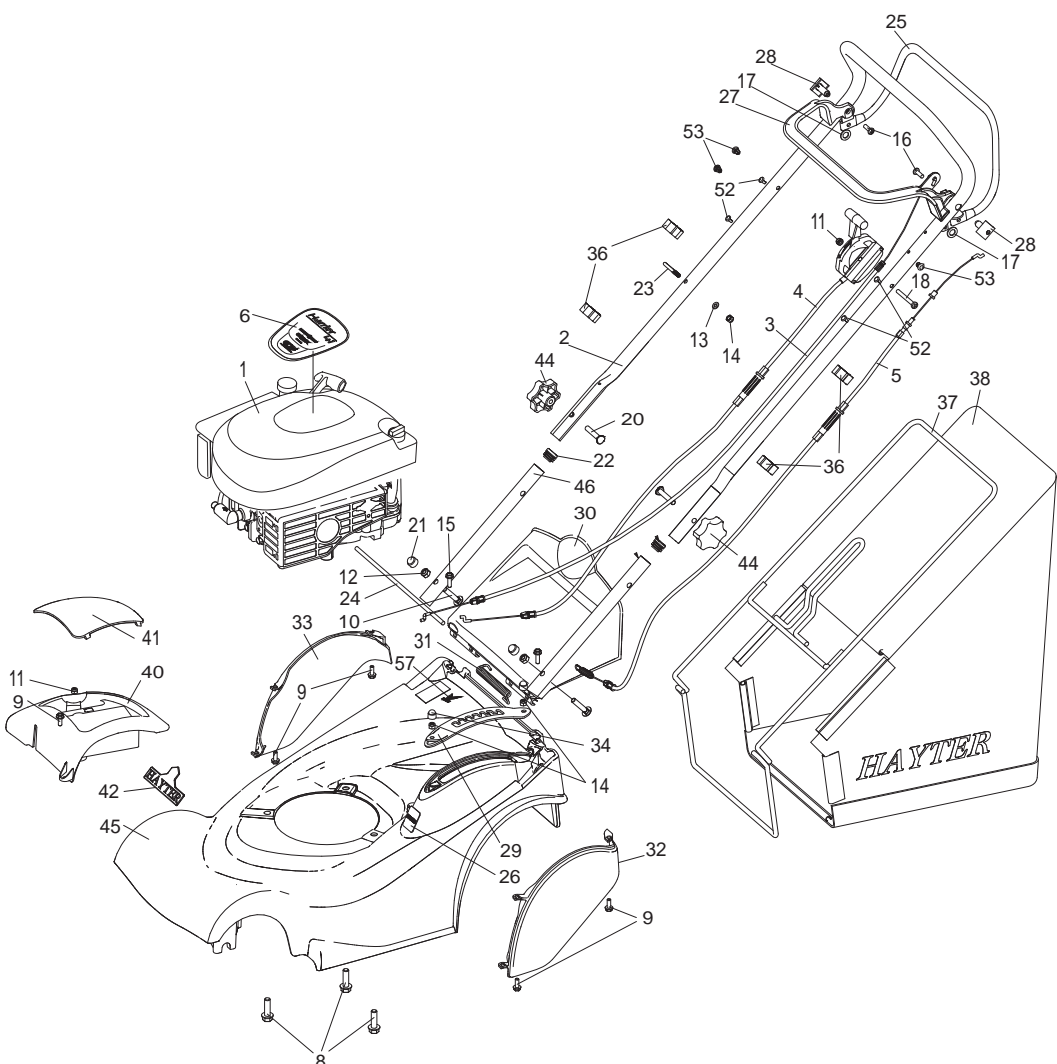
Sound Pressure Level at the Operator Position measured in accordance with European Standard EN 836:

Measured Sound Pressure Level LPA = 83 dB(A)

Uncertainty of measurement  $K = 2 \text{ dB(A)}$

## Lower Mainframe

Item No	Description	Part No.	QTY	Notes	Item No	Description	Part No.	QTY	Notes
1	ENGINE B&S SERIES 650 XVB COVE	111-6624	1		45	MAINFRAME	410010V	1	
2	UPPER HANDLEBAR	305145W	1		46	HANDLEBAR LOWER	410034W	2	
3	CABLE ENGINE BRAKE - VS	560041	1		52	FASTENER DRIVE	300144	4	
4	CABLE VARIATOR	111-1150	1		53	FASTENER DRIVE 6.5	341033	2	
5	CABLE CLUTCH V/S	111-1151	1		57	DECAL-MADE IN BRITAIN	111-6625	1	
6	DECAL ENGINE HARRIER 41 (RS)	111-6652	1						
8	SCREW TAPTITE UNC 3/8"*1 1/4"	09349	3						
9	SCREW TAPTITE M6*16	09365	5						
10	BOLT COACH M8*40 GRADE 8.8	09379	2						
11	NUT M6 NYLOC 'T' TYPE	09438	2						
12	NUT M8 NYL INSERT T TYPE	09441	2						
13	WASHER PLAIN M6*12*1.6	09472	1						
14	NUT M6 NYLOC 'P' TYPE GD 8	09544	3						
15	SCREW TAPTITE M6*20 WASHER	09575	2						
16	SCREW DIA 6*20 PT PAN FLANGE	09687	2						
17	WASHER NYLON 19*11*1.6	09688	2						
18	SETSCREW M6*55 POSI PAN Z ANDP	09780	1						
20	BOLT HANDLEBAR M8*45	HY226024	2						
21	CAP FOR M8 NUT BLACK	HY234051	2						
22	PLUG TUBE 7/8"*16g EP620/GL22	300160	2						
23	GUIDE ROPE	305093	1						
24	DEFLECTOR PIN 6.35*295	305103	1						
25	LEVER CLUTCH (BLACK)	111-1921-03	1						
26	LABEL HEIGHT OF CUT	320006	1						
27	LEVER ENGINE	340179	1						
28	PIN PIVOT	340182	2						
29	RATCHET HOC	HY410006	1						
30	DEFLECTOR REAR	410028	1						
31	SPRING DEFLECTOR	410030	1						
32	WHEEL COVER LH	410032	1						
33	WHEEL COVER RH	410033	1						
34	NUT CAP PLASTIC M6	343025	2						
36	GUIDE CABLE	410037	2						
37	FRAME GRASSBAG	410038W	1						
38	FABRIC GRASSBAG	410039	1						
39	DECAL GRASS BLADE	410064	1						
40	BOX BATTERY	410080	1						
41	LID BATTERY BOX	410081	1						
42	DECAL-HAYTER (LOGO (03))	410087	1						
44	KNOB M8 HANDLEBAR	480088	2						



Serial No.