

Material No:	111-7905	Rev:	B	Release/Change Authorization Number :	5107769
Description:	PARTS LIST HARRIER 41 [410:EN]			Issue Date :	08/10/2015
HAYTER General Document	Supersedes :				
	Superseded By :				
	Created By :				TH
	Scale :				NONE
<small>THIS UNPUBLISHED DOCUMENT CONTAINS HAYTER CONFIDENTIAL AND PROPRIETARY INFORMATION. IT MAY NOT BE WHOLLY OR PARTIALLY COPIED, DISCLOSED TO OTHERS, OR USED FOR ANY PURPOSE WITHOUT WRITTEN PERMISSION FROM HAYTER. IF PUBLICATION OCCURS, THE FOLLOWING NOTICE APPLIES: "© HAYTER ALL RIGHTS RESERVED".</small>					
Reason for Revision:	ADDING A WASHER				

CONFIDENTIAL

Harrier 41 - Spare Parts List

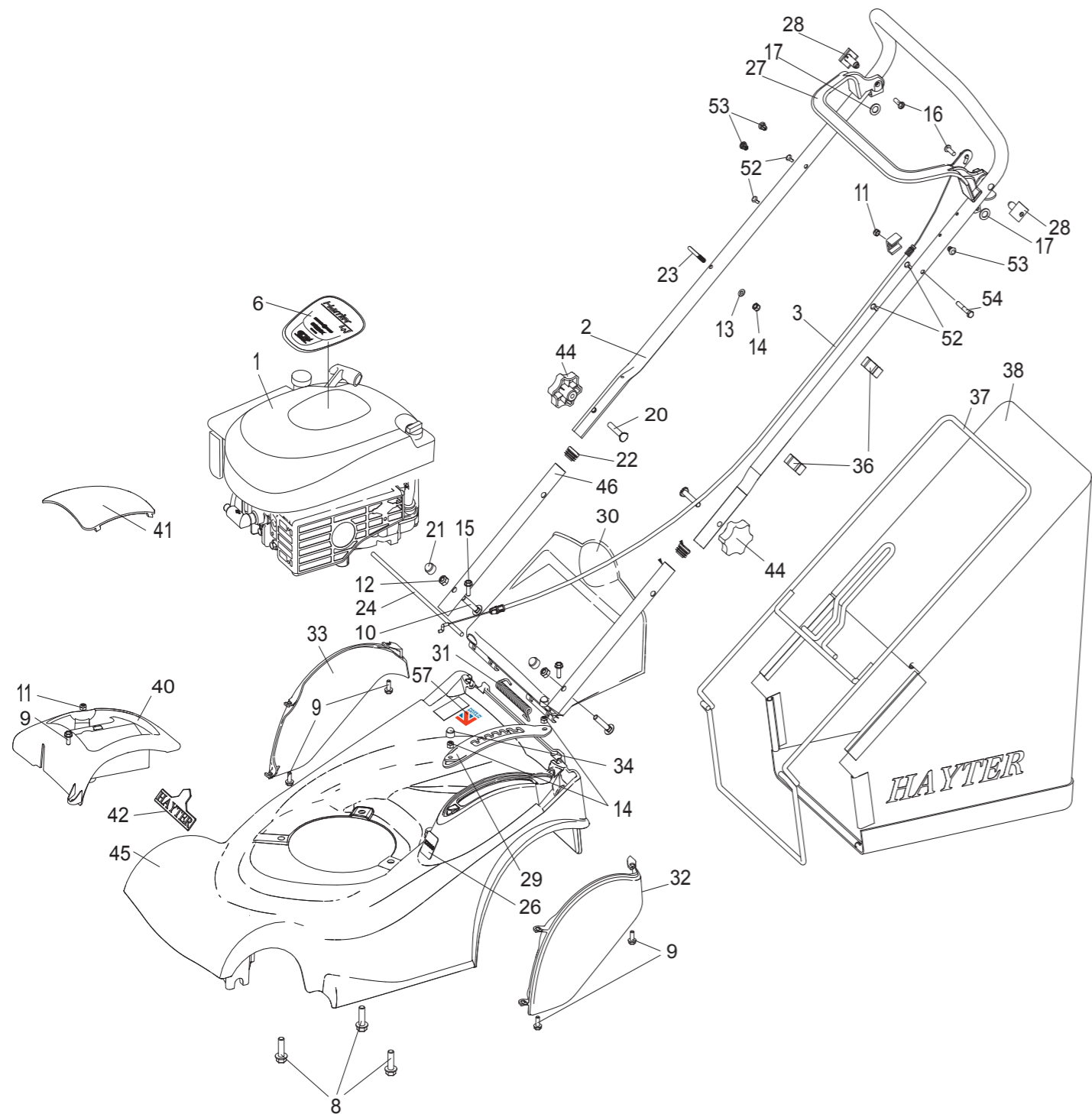
Hayter Ltd. Spellbrook, Bishop's Stortford, Herts, England. CM23 4BU
Tel: +44 (0)1279 723444 Fax: +44 (0)1279 723821

Original Version: EN

Issue : 23.09.15

Codes: 410H

From Serial: 316000101 and up



Upper Mainframe

Upper Mainframe

Item No	Description	Part No.	QTY	Item Note
1	ENGINE B&S SERIES 650 XVB COVER	111-6624	1	
2	UPPER HANDLEBAR	305145W	1	
3	CABLE ENGINE BRAKE V/S	111-1094	1	
6	DECAL ENGINE HARRIER 41 (RS)	111-6652	1	
8	SCREW TAPTITE UNC 3/8"X1 1/4"	09349	3	
9	SCREW TAPTITE M6*16	09365	5	
10	BOLT COACH M8*40 GRADE 8.8	09379	2	
11	NUT M6 NYLOC 'T' TYPE	09438	2	
12	NUT M8 NYL INSERT T TYPE	09441	2	
13	WASHER PLAIN M6*12*1.6	09472	1	
14	NUT M6 NYLOC 'P' TYPE GD 8	09544	3	
15	SCREW TAPTITE M6*20 WASHER	09575	2	
16	SCREW DIA 6*20 PT PAN FLANGE	09687	2	
17	WASHER NYLON 19*11*1.6	09688	6	
20	BOLT HANDLEBAR M8*45	HY226024	2	
21	CAP FOR M8 NUT BLACK	HY234051	2	
22	PLUG TUBE 7/8"X16g EP620/GL22	300160	2	
23	GUIDE ROPE	305093	1	
24	DEFLECTOR PIN 6.35*295	305103	1	
26	LABEL HEIGHT OF CUT	320006	1	
27	LEVER ENGINE	340179	1	
28	PIN PIVOT	340182	2	
29	RATCHET HOC	HY410006	1	
30	DEFLECTOR REAR	410028	1	
31	SPRING DEFLECTOR	410030	1	
32	WHEEL COVER LH	410032	1	
33	WHEEL COVER RH	410033	1	
34	NUT CAP PLASTIC M6	343025	2	
36	GUIDE CABLE	410037	2	
37	FRAME GRASSBAG	410038W	1	
38	FABRIC GRASSBAG	410039	1	
40	BOX BATTERY	410080	1	
41	LID BATTERY BOX	410081	1	
42	DECAL-HAYTER (LOGO (03))	410087	1	
44	KNOB M8 HANDLEBAR	480088	2	
45	MAINFRAME	410010V	1	
46	HANDLEBAR LOWER	410034W	2	
52	FASTENER DRIVE	300144	4	
53	FASTENER DRIVE 6.5	341033	2	
54	BOLT M6*40	ZBH1F040U	1	
57	DECAL- MADE IN BRITAIN	111-7722	1	

Harrier 41 - Spare Parts List

Lower Mainframe

Item No	Description	Part No.	QTY	Item Note
1	SPRING MOUNT	111-0073	1	
2	CONNECTING ROD WA	111-1050	1	
3	WHEEL 180X45 RIBBED	111-1250	2	
3.1	BEARING	111-1252	4	2 PER WHEEL
4	HUB CAP	111-1251	2	
6	KEY WOODRUFF N DEG 505	1662	1	
8	NUT UNF 1/2"NYLOC EXT THIN5/16	HY4486	2	
9	WASHER 1/4*3/4 GALV ROOFING	09262	1	
11	WASHER SPRING 3/8 SC	09273	1	
12	GRIP FIX EXT 5/16"	04020	1	
13	SETSCREW M6*25	09364	1	
14	SCREW TAPTITE M6*16	09365	22	
16	WASHER PLAIN M6*12*1.6	09472	1	
17	WASHER M16 PLAIN	09491	5	
18	NUT M6 NYLOC 'P' TYPE GD 8	09544	1	
19	SCREW TAPTITE M6*16 C/SK POZI	09545	4	
20	SCREW TAPTITE M6*20 WASHER	09575	1	
22	BOLT UNF 3/8*3.1/4	09788	1	
23	WASHER STARLOCK 5/16"	0201086	2	
24	PLATE SECURING	219037	1	
25	HOUSING BEARING ROLLER	219102	2	
27	BRACKET - PIVOT LH	HY410002	1	
28	FRAME REAR ROLLER W/A	410011W	1	
29	BRACKET- ROLLER FRAME PIVOT RH	410016	1	
30	ROLLER HARRIER 41	410044	1	
32	HOUSING - PIVOT BEARING LH	410048	1	
33	SPRING COUNTER BALANCE	410050	1	
34	AXLE FRONT W/A - H41	410051	1	
35	FINS	410055	1	
36	FRICTION DISC	410057W	1	
37	CHUTE	410058	1	
38	THROWPLATE	410059	1	
39	UNDERDECK COVER	410060	1	
41	BEARING FRONT AXLE	410069	2	
43	CARRIER BLADE BOSS - DIE CAST	410078	1	
49	COVER DRIVE	411013	1	
56	KEY 3/16"*3/16"*1 1/2" 2R END	411037	1	
57	SHAFT ROLLER	411038	1	
58	FASTENER PANEL EDGE	410082	1	
59	LEVER HOC	480128	1	
60	SPRING TORSION HOC GALVANISED	480132	1	
61	KNOB HOC	480134	1	
62	CUTTERBAR 16"	HY201026	1	
63	DISTANCE PIECE CUTTERBAR	HY4014	1	
67	SCREW TAPTITE M6*35 HEX W.HD	09786	2	
68	LUG	410076	1	
69	WASHER DIA 16.5x30x1 PLAIN STEEL	480097	2	

Lower Mainframe

