



# HAYTER

MAKERS OF THE FINEST MOWERS

---

# Parts Catalogue

## R53A Recycling Mower

Code 449F

Serial No.312000001

Manual Part No. 3373-360 Rev A

# Ordering Replacement Parts

To order replacement parts, please supply the part number, the quantity, and the description of each part desired.

## Understanding Reference Numbers

Each identified part in an illustration has a reference number. The reference number for a part also appears in the parts list, along with other information about the part.

This catalog uses two special reference number formats, one to indicate parts in a service assembly and another to indicate the quantity of a given part in an illustration.

## Service Assembly Reference Numbers

Parts in service assemblies have reference numbers in the form a:b. The a represents the reference number of the entire service assembly and the b represents a sequential number unique to each part within the service assembly.

For example, a wheel assembly might be identified by reference number 6, the tire by 6:1, the valve by 6:2, and the wheel by 6:3. When you order the assembly identified by reference number 6, you receive all parts identified by reference numbers 6:1, 6:2, and 6:3. However, you may also order any part individually. Reference numbers of this type appear in illustration and in parts lists.

## Reference Numbers Indicating Quantity

In an illustration, if a reference number indicates more than one part, the reference number has the form nX y. The n represents the quantity of the part, the X is the multiplication symbol, and the y represents the reference number.

For example, in an illustration, the reference number 2X 37 means that two of the parts identified by reference number 37 are indicated.

# List of Abbreviations

**AR:** as required

**ASM:** assembly

**BBC:** blade brake control

**BHTF:** button head thread forming

**CARR:** carriage

**CCW:** counter clockwise

**CW:** clockwise

**DEG:** degrees

**DPA:** Dual Point Adjustment

**ECM:** electronic control module

**EXT:** external

**FH:** flat head

**GA:** gauge

**HD:** heavy-duty

**HF:** hex flange

**HH:** hex head

**HHF:** hex head flange

**HHFTF:** hex head flange thread forming

**HJ:** hex jam

**HLH:** hex lag head

**HOC:** height-of-cut

**HSBH:** hex socket button head

**HSFH:** hex socket flat head

**HSH:** hex socket head

**HWH:** hex washer head

**HWHTF:** hex washer head thread forming

**HYD:** hydraulic

**LH:** left hand

**LPG:** Liquid Propane Gas

**NI:** nylon insert

**NPTF:** national pipe thread fine

**PFH:** phillips flat head

**PPH:** phillips pan head

**PPHTF:** phillips pan head thread forming

**PRH:** phillips round head

**PTH:** phillips truss head

**PTO:** power-take-off

**RH:** right hand

**ROPS:** roll-over protection system

**RRB:** rear roller brush

**SFH:** slotted fillister head

**SHH:** slotted hex head

**SHWH:** slotted hex washer head

**SPH:** slotted pan head

**SQH:** square head

**SRH:** slotted round head

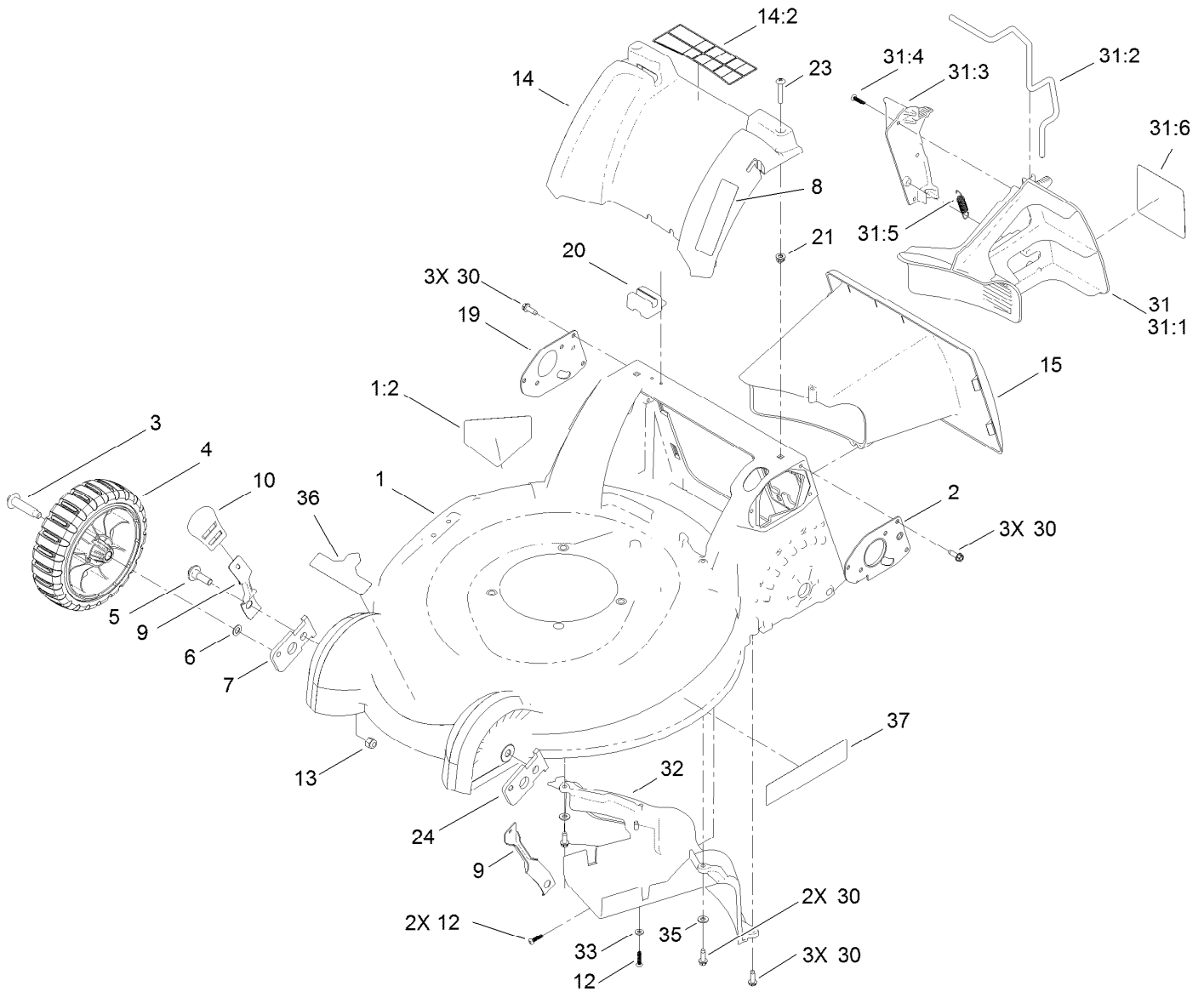
**STD:** standard

**TAP:** self tapping

**TTH:** torx truss head

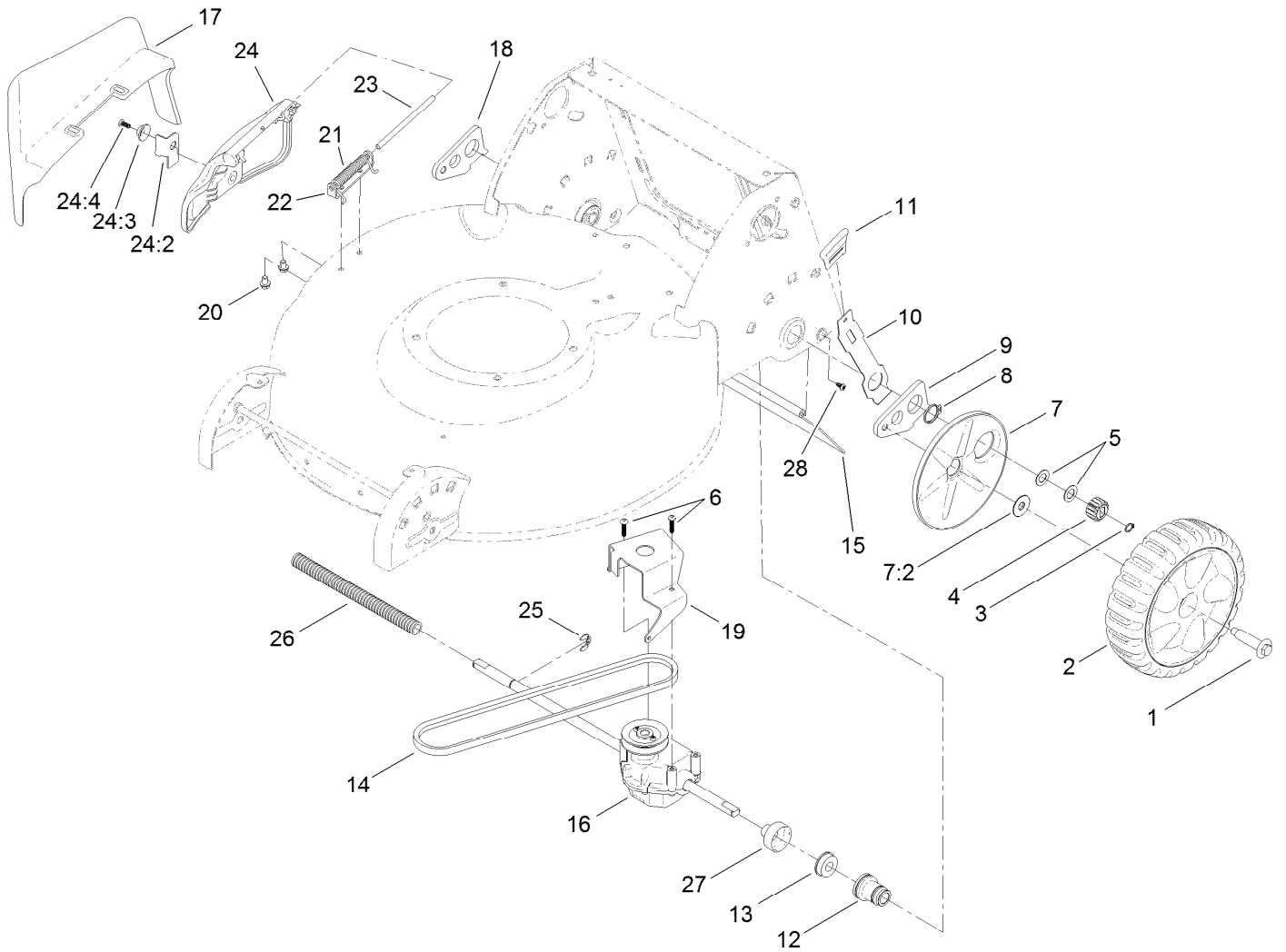
# Contents

Housing, Rear Cover and Front Wheel Assembly .....	4
Rear Wheel, Transmission and Side Discharge Chute Assembly .....	5
Upper Handle Assembly .....	6
Lower Handle Assembly .....	7
Engine and Blade Assembly .....	8
Bag Assembly .....	9
Electrical Assembly .....	10



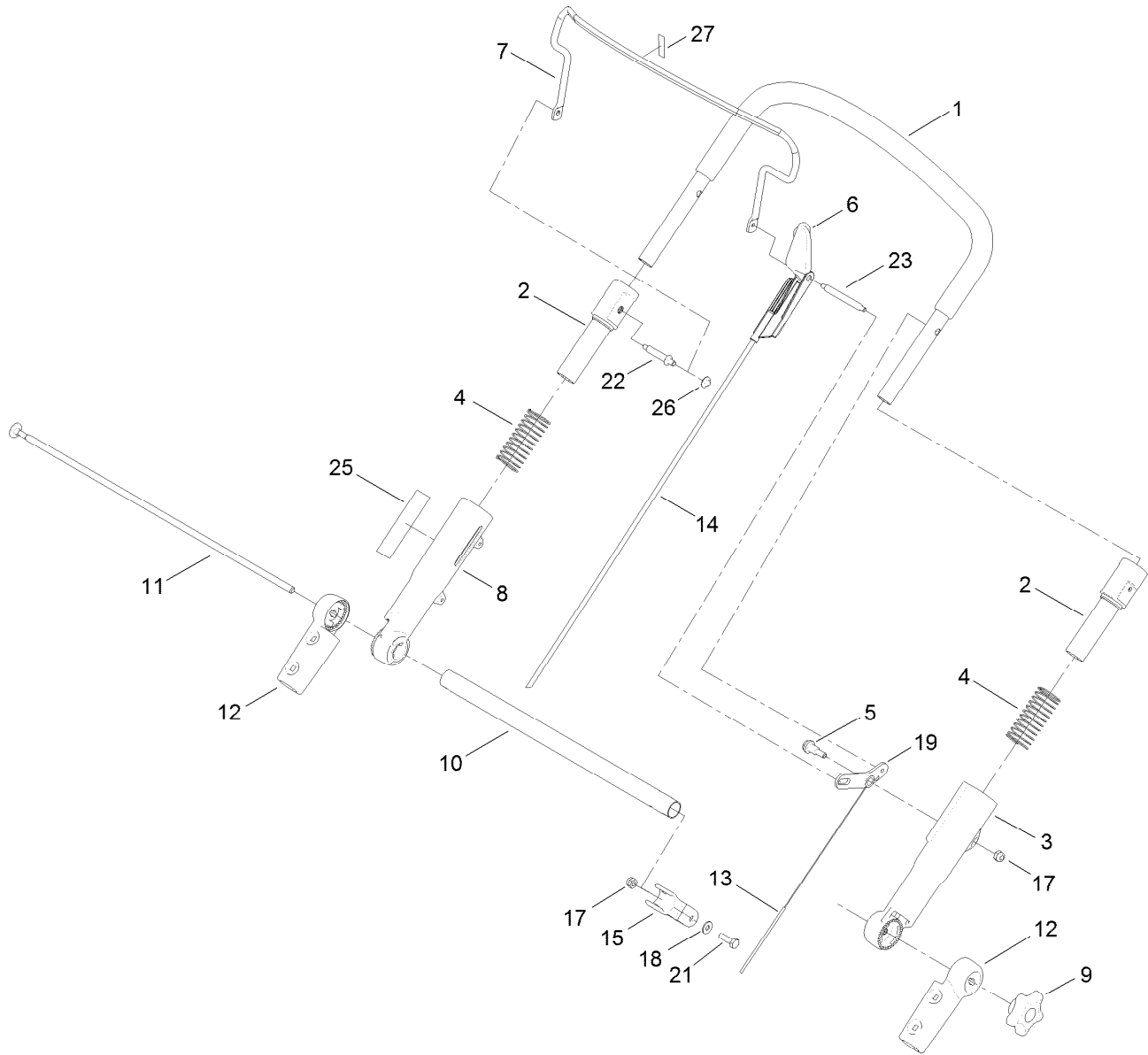
## Housing, Rear Cover and Front Wheel Assembly

Ref.	Part Number	Qty.	Description	Ref.	Part Number	Qty.	Description
1	117-4111	1	Housing ASM	20	110-1787	1	Module-Switch
1:2	112-8760	1	Decal-Danger	21	94-1610	2	Nut-Clip
2	110-9415-03	1	Mount-Handle, LH	23	108-0965	2	Screw-PTH
3	614650	2	Bolt-Shoulder	24	110-9420	1	Arm-Pivot, LH
4	117-4103	2	8 Inch Wheel ASM	30	49-2040	11	Screw-HWHTF
5	614672	2	Bolt-Shoulder	31	110-9468	1	Mulch Plug ASM
6	40-1940	2	Washer	31:1	110-9446	1	Plug-Mulch, LH
7	110-9421	1	Arm-Pivot, RH	31:2	110-9448	1	Latch-Plug, Mulch
8	111-2210	1	Decal-Handle Adjust	31:3	110-9447	1	Plug-Mulch, RH
9	110-9434	2	Arm-Spring, Front	31:4	108-7476	3	Screw-Plastite
10	110-7125	2	Knob-HOC	31:5	110-9458	1	Spring-Extension
12	108-7476	6	Screw-Plastite	31:6	110-9457	1	Decal-Plug, Mulch
13	3296-39	2	Nut-Lock, NI	32	110-9413	1	Baffle-Rear
14	115-3177	1	Cover-Rear	33	3256-14	1	Washer-Flat
14:2	114-2820	1	Decal-Warning	35	3256-22	2	Washer-Flat
15	110-9456	1	Tunnel	36	410087	1	Decal
19	110-9416-03	1	Mount-Handle, RH	37	114-3233	1	Decal-Recycling



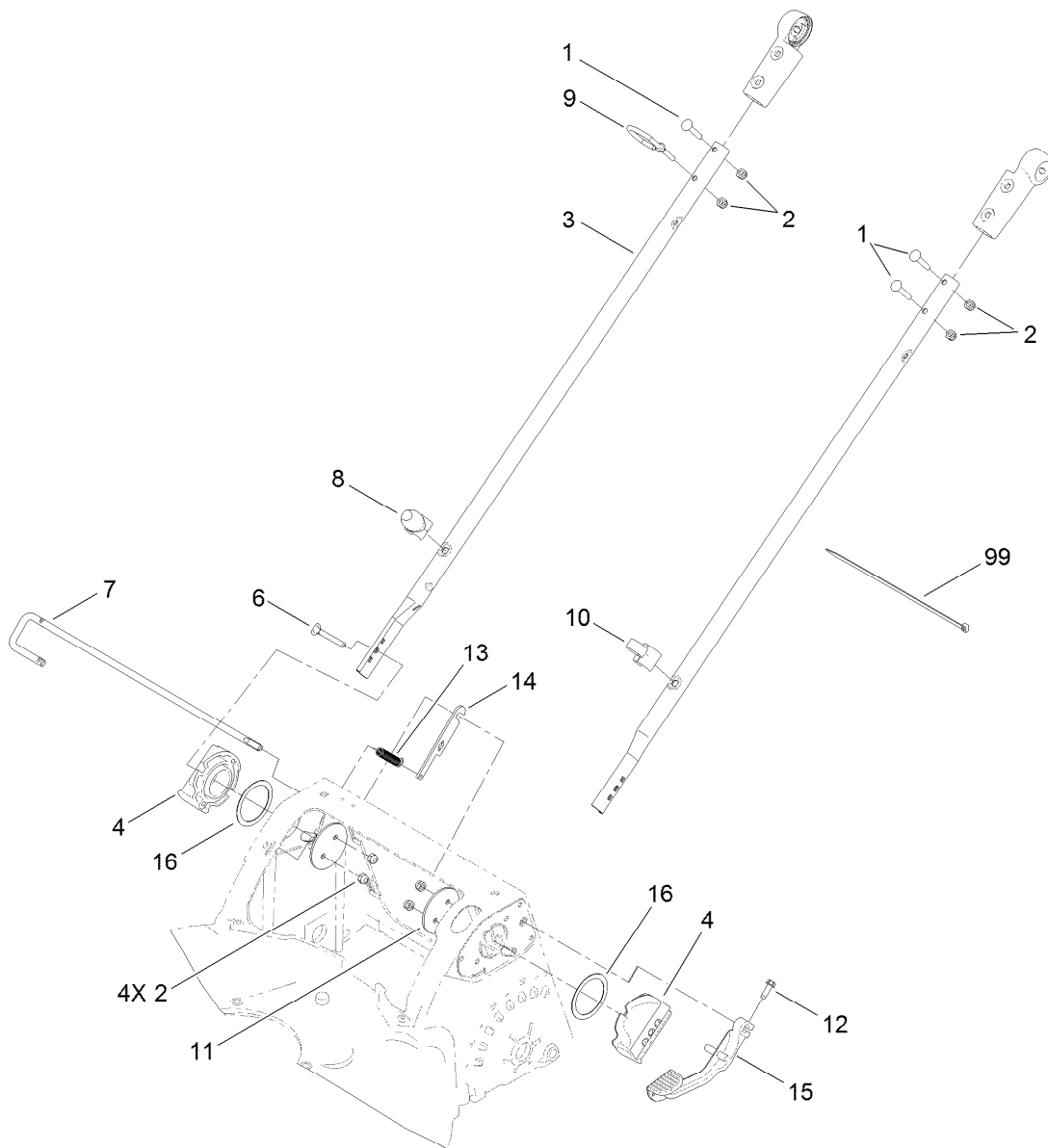
## Rear Wheel, Transmission and Side Discharge Chute Assembly

<i>Ref.</i>	<i>Part Number</i>	<i>Qty.</i>	<i>Description</i>	<i>Ref.</i>	<i>Part Number</i>	<i>Qty.</i>	<i>Description</i>
1	614650	2	Bolt-Shoulder	16	114-2812	1	Transmission ASM
2	117-4104	2	Rear Wheel ASM	17	105-3028	1	Chute-Discharge, Side
3	32151-61	2	Ring-Retaining	18	108-9343	1	Arm-Rear Pivot, RH
4	110-9417	2	Gear-Pinion, 15T	19	114-7977-03	1	Bracket-Transmission
5	36-4780	2	Washer-Plain	20	99-8445	2	Screw-HWH, Taptite
6	108-7476	3	Screw-Plastite	21	99-5293	1	Spring-Torsion
7	117-4197	2	Wheel Cover ASM	22	112-6416	1	Bracket-Cover
7:2	614426	1	Washer-Stepped	23	99-5291	1	Rod-Cover
8	32151-36	2	Ring-Retaining	24	106-8376	1	Discharge Door ASM
9	108-9344	1	Arm-Rear Pivot, LH	24:2	107-0795	1	Latch-Door
10	110-9445	2	Arm-Spring, Rear	24:3	107-7456	1	Cap-Door
11	110-7125	2	Knob-HOC	24:4	107-7461	1	Screw-Plastite
12	110-9422	2	Retainer-Bearing	25	65-2720	1	Ring-Clip, Locking
13	104-8699	2	Bearing-Ball	26	24-7922	1	Conduit-Convolved, Split
14	110-9429	1	V-Belt	27	114-2755	2	Cap-Bearing
15	120-7010	1	Shield-Trailing	28	117-1092	2	Screw-PTH



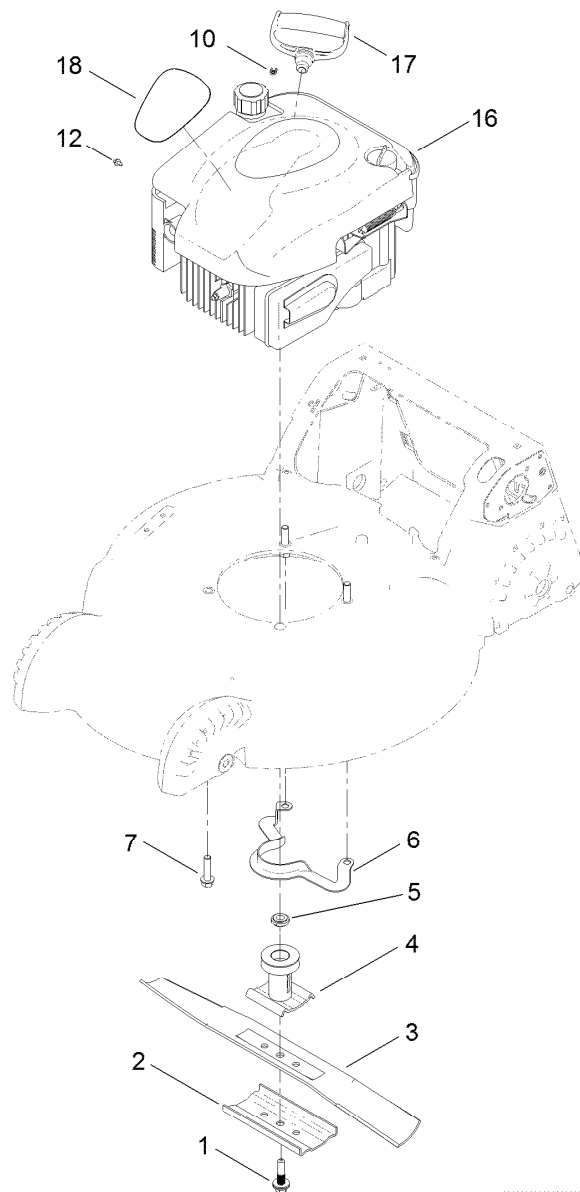
## Upper Handle Assembly

<i>Ref.</i>	<i>Part Number</i>	<i>Qty.</i>	<i>Description</i>	<i>Ref.</i>	<i>Part Number</i>	<i>Qty.</i>	<i>Description</i>
1	108-0974	1	Upper Handle ASM	13	110-9465	1	Cable-Traction
2	112-8754	2	Sleeve-Inner	14	107-3903	1	Cable-Brake
3	112-1544	1	Sleeve-Outer, LH	15	112-8801	1	Clamp-Cable
4	107-3869	2	Spring-Compression	17	3296-73	2	Nut-Lock, NI
5	104-0858	1	Bolt-Shoulder	18	3256-1	1	Washer-Flat
6	112-8764	1	Stop-Pivot	19	107-3893	1	Lever-Traction
7	110-1819-03	1	Bail-Brake	21	321-5	1	Screw-HH
8	112-1545	1	Sleeve-Outer, RH	22	108-0959	1	Pin-Handle
9	117-5976	1	Knob-Handle, Locking	23	108-1008	1	Pin-Bail, LH
10	107-3867-03	1	Tube-Cross	25	111-2209	1	Decal-Sens A Speed
11	107-3871	1	Rod-Threaded	26	108-9378	1	Retainer-Push On
12	107-3865	2	Mount-Handle, Lower	27	117-4157	1	Decal-Engine Stop



## Lower Handle Assembly

<i>Ref.</i>	<i>Part Number</i>	<i>Qty.</i>	<i>Description</i>	<i>Ref.</i>	<i>Part Number</i>	<i>Qty.</i>	<i>Description</i>
1	108-0988	3	Screw-CARR	10	114-7988	1	Guide-Cable
2	3296-73	8	Nut-Lock, NI	11	107-3944-03	2	Plate
3	107-3887-03	2	Tube-Lower	12	49-2040	1	Screw-HWHTF
4	119-3847-03	2	Mount-Handle	13	112-1542	1	Spring-Extension
6	95-4453	4	Screw	14	112-1539	1	Plate-Rod, Release
7	112-8755	1	Rod-Release, Handle	15	110-1823-03	1	Lever-Release
8	117-4141	1	Guide-Rope, Lower	16	107-3947	2	Washer-Nylon
9	107-3908	1	Guide-Rope, Upper	99	614249	1	Tie-Cable



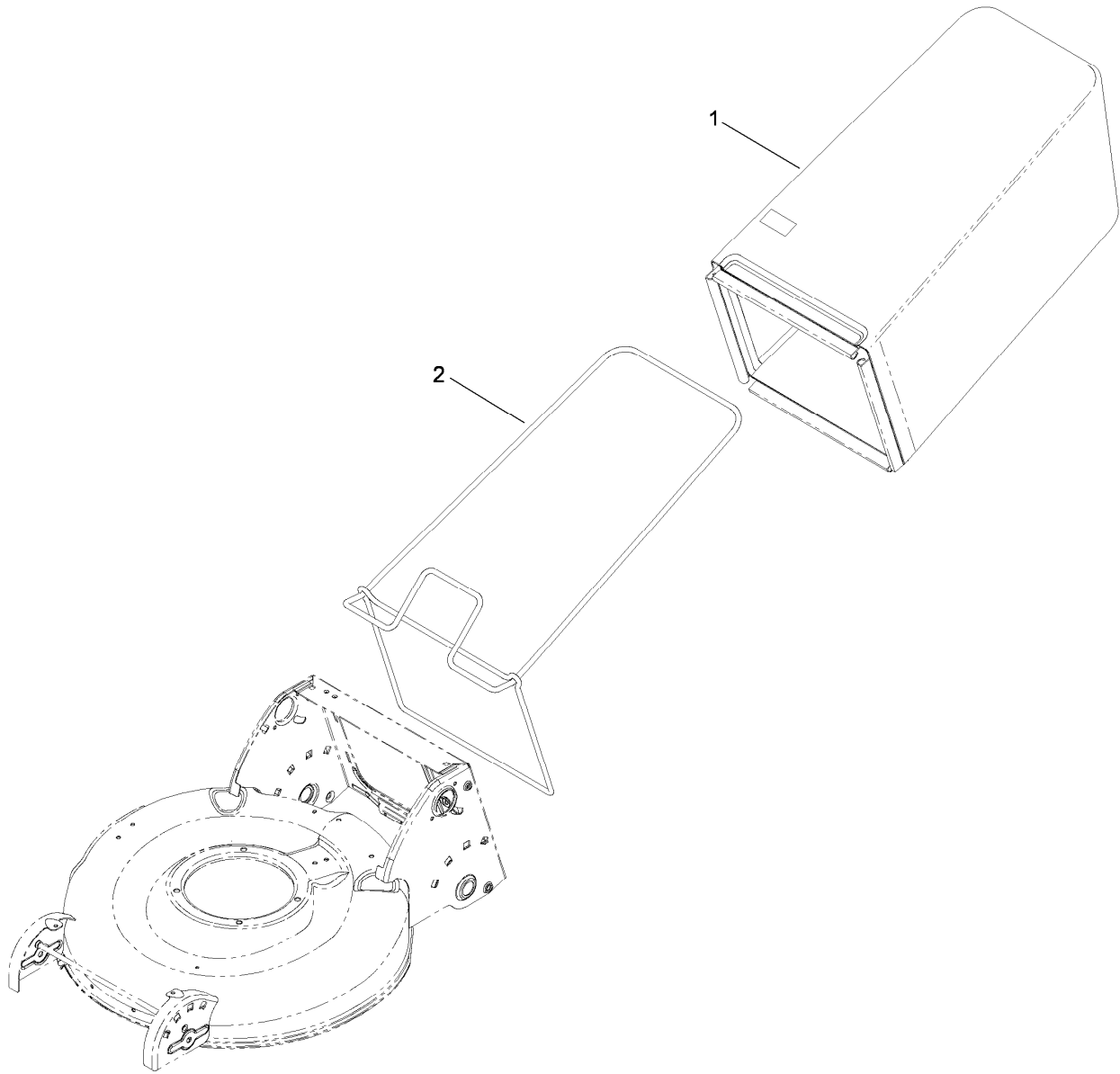
## Engine and Blade Assembly

Ref.	Part Number	Qty.	Description
1	105-8579	1	Bolt-Blade
2	108-3766-03	1	Support-Blade
3	108-0954-03	1	Blade-21 Inch
4	106-3987	1	Blade Driver ASM
5	106-3999	1	Spacer-Driver
6	108-8110-03	1	Guide-Belt
7	32144-102	3	Screw-HWH
10	92-1701	1	Stop-Rope
12	98-1394	1	Screw-HWH
16		1	Engine-Briggs, 126M070127F1 ●■
17	117-4142	1	Handle-Recoil
18	111-3207	1	Decal-Shroud

● Not serviced separately

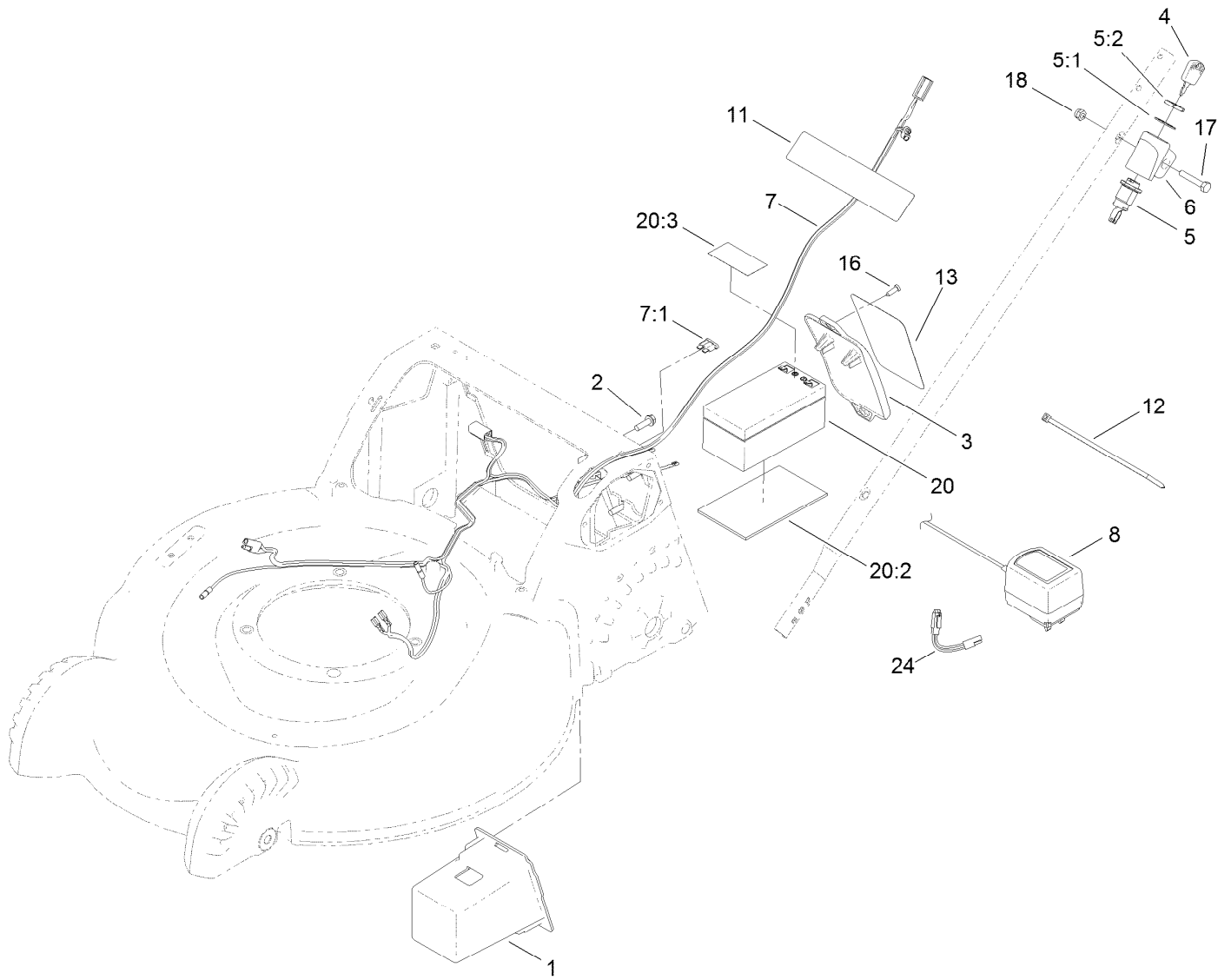
■ Obtain parts from [www.briggsandstratton.com](http://www.briggsandstratton.com)





## Bag Assembly

<i>Ref.</i>	<i>Part Number</i>	<i>Qty.</i>	<i>Description</i>
1	117-4105	1	Grass Bag ASM
2	112-8750-03	1	Frame-Bag



## Electrical Assembly

<i>Ref.</i>	<i>Part Number</i>	<i>Qty.</i>	<i>Description</i>	<i>Ref.</i>	<i>Part Number</i>	<i>Qty.</i>	<i>Description</i>
1	107-3932	1	Box-Battery	11	104-7953	1	Decal
2	46-8091	4	Screw-HWH	12	614249	3	Tie-Cable
3	108-0981	1	Cover-Battery	13	108-0992	1	Decal-Instruction, Battery
4	700918	1	Key	16	32144-111	2	Screw-PPH
5	46-5780	1	Starter Switch ASM	17	321-51	1	Screw-HH
5:1	3254-5	1	Washer-Tooth, Internal	18	3296-73	1	Nut-Lock, NI
5:2	218-461	1	Nut-HH	20	108-9358	1	Battery
6	108-9760	1	Mount-Switch	20:2	108-0987	1	Foam-Battery
7	119-2251	1	Harness-Wire	20:3	112-8763	1	Decal-Terminal, Battery
7:1	99-6124	1	Fuse-Blade, 40 Amp	24	107-3749	1	Adapter-Charger
8	117-4108	1	Charger				

**Notes:**

