



HAYTER

MAKERS OF THE FINEST MOWERS

Parts Catalogue

21in Heavy-Duty Walk Behind Rotary Mower

Code 455E

Serial No.310000001

Manual Part No. 3364-825 Rev A

Ordering Replacement Parts

To order replacement parts, please supply the part number, the quantity, and the description of each part desired.

Understanding Reference Numbers

Each identified part in an illustration has a reference number. The reference number for a part also appears in the parts list, along with other information about the part.

This catalog uses two special reference number formats, one to indicate parts in a service assembly and another to indicate the quantity of a given part in an illustration.

Service Assembly Reference Numbers

Parts in service assemblies have reference numbers in the form a:b. The a represents the reference number of the entire service assembly and the b represents a sequential number unique to each part within the service assembly.

For example, a wheel assembly might be identified by reference number 6, the tire by 6:1, the valve by 6:2, and the wheel by 6:3. When you order the assembly identified by reference number 6, you receive all parts identified by reference numbers 6:1, 6:2, and 6:3. However, you may also order any part individually. Reference numbers of this type appear in illustration and in parts lists.

Reference Numbers Indicating Quantity

In an illustration, if a reference number indicates more than one part, the reference number has the form nX y. The n represents the quantity of the part, the X is the multiplication symbol, and the y represents the reference number.

For example, in an illustration, the reference number 2X 37 means that two of the parts identified by reference number 37 are indicated.

List of Abbreviations

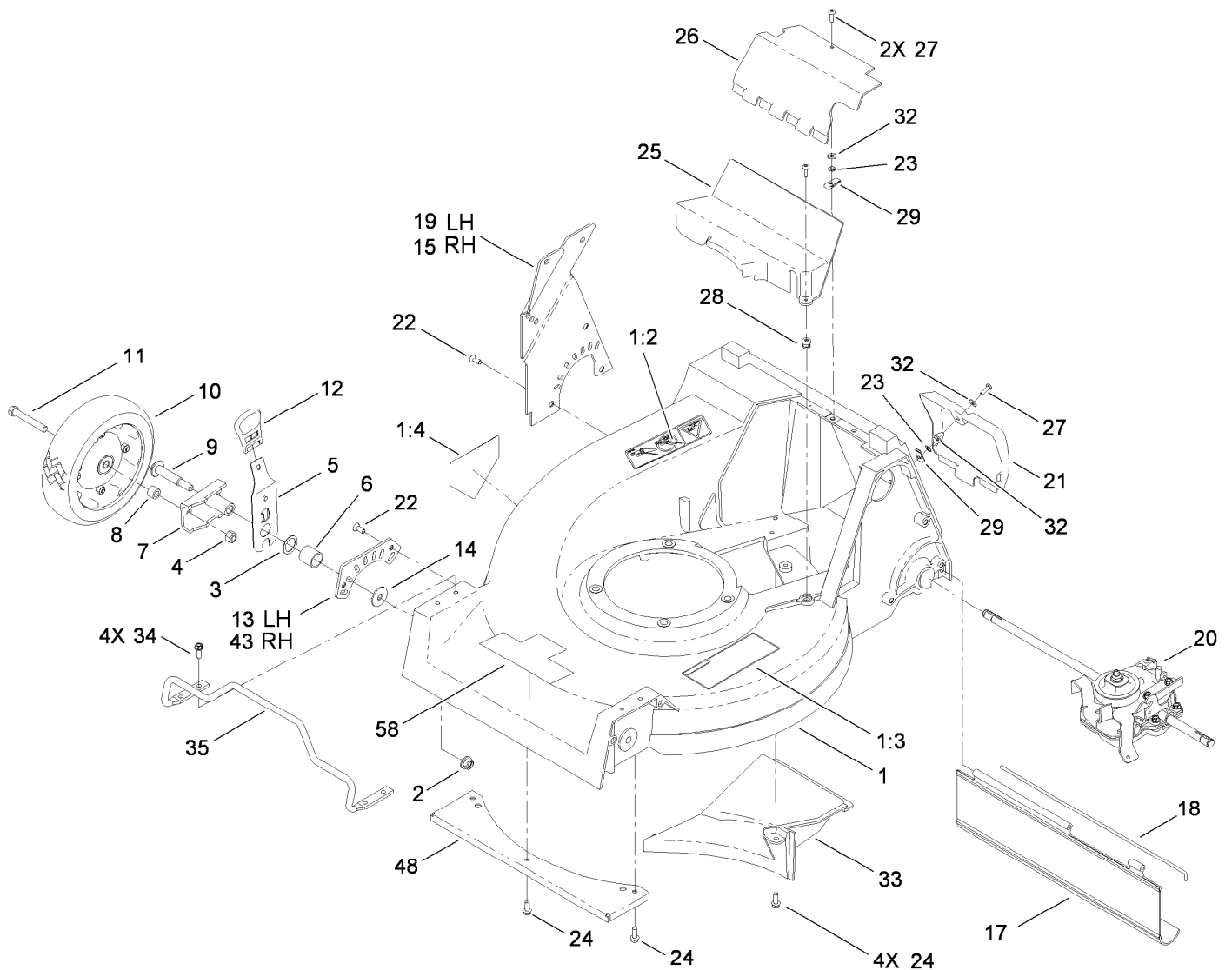
AR: as required
ASM: assembly
BBC: blade brake clutch
CARR: carriage
CCW: counter clock wise
CW: clockwise
DEG: degrees
ECM: electronic control module
EXT: external
FH: flat head
GA: gauge
HD: heavy-duty
HF: hex flange
HH: hex head
HHF: hex head flange
HHFTF: hex head flange thread forming
HJ: hex jam
HLH: hex lag head
HOC: height-of-cut

HSBH: hex socket button head
HSFH: hex socket flat head
HSH: hex socket head
HWH: hex washer head
HWHTF: hex washer head thread forming
HYD: hydraulic
LH: left hand
NI: nylon insert
NPTF: national pipe thread fine
PFH: phillips flat head
PPH: phillips pan head
PPHTF: phillips pan head thread forming
PRH: phillips round head
PTH: phillips truss head
PTO: power-take-off
RH: right hand
ROPS: roll-over protection system
RRB: rear roller brush

SFH: slotted fillister head
SHH: slotted hex head
SHWH: slotted hex washer head
SPH: slotted pan head
SQH: square head
SRH: slotted round head
STD: standard
TAP: self tapping
TTH: torx truss head

Contents

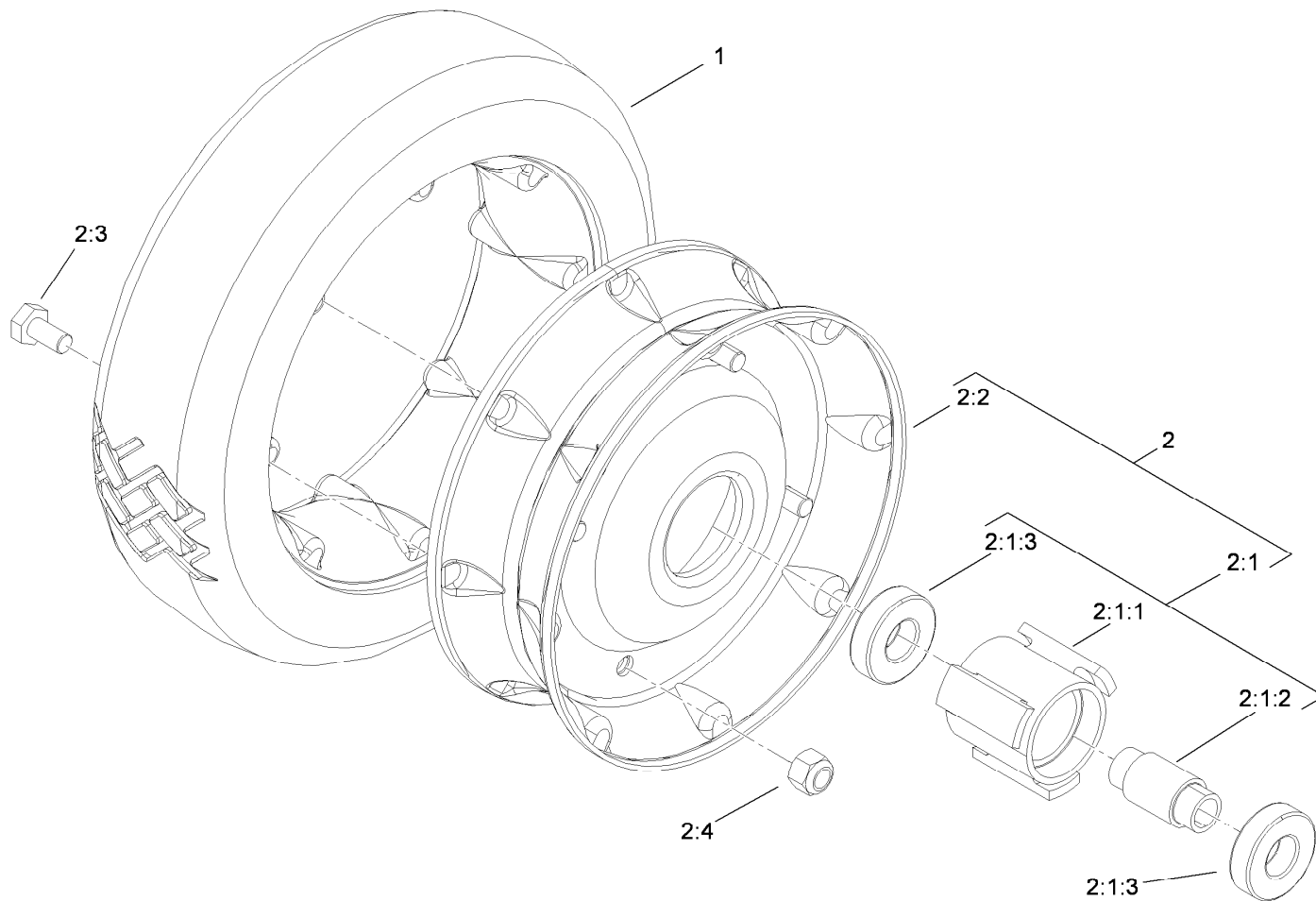
Housing and Front Wheel Assembly	4
Wheel and Tire Assembly No. 115-3849	5
Gear Case Assembly No. 110-2100	6
Blade Brake Clutch Assembly	7
Engine and Fuel Tank Assembly	8
Handle Assembly	9
Height-of-Cut and Rear Wheel Assembly	10
Rear Wheel Assembly No. 115-3813	11
Grass Bag Assembly	12



Housing and Front Wheel Assembly

Ref.	Part Number	Qty.	Description	Ref.	Part Number	Qty.	Description
1	115-3810	1	Deck ASM	18	33-3202	1	Rod-Shield
1:2	110-4977	1	Decal-Danger	19	115-4497-08	1	Plate-Rear HOC, LH ●
1:3	110-4978	1	Decal-Danger	20	110-2100	1	Gear Case ASM
1:4	112-8760	1	Decal-Danger	21	107-4288	1	Door-Access, Rear
2	54-9190	2	Nut-Lock	22	32144-17	10	Screw-HH
3	115-0972	2	Washer	23	119-0350	2	Nut-Push
4	32152-2	2	Nut-Lock, Cone	24	32144-85	7	Screw-HWH
5	119-2323	2	Front Spring Arm ASM	25	107-4297	1	Cover-Belt, Lower
6	75-5310	2	Spacer-Bearing	26	107-4298	1	Cover-Belt, Upper
7	61-8300	2	Arm-Pivot, Front	27	32144-32	3	Screw
8	52-2480	2	Spacer-Wheel	28	611380	1	Nut-Clip
9	114-3468	2	Screw-Shoulder	29	3290-171	2	Nut-Type J
10	115-3849	2	Wheel And Tire ASM	32	3256-14	3	Washer-Flat
11	323-12	2	Screw-HH	33	115-0973	1	Baffle-Chute, Floor
12	110-0549	2	Knob-HOC	34	49-2040	4	Screw-HWHTF
13	115-4495	1	Plate-Front HOC, LH ●	35	110-4876	1	Guard-Engine
14	115-0956	2	Washer	43	115-4496	1	Plate-Front HOC, RH
15	115-4498-08	1	Plate-Rear HOC, RH	48	115-4476-03	1	Shield-Front, Hi-Vac
17	110-0509	1	Shield-Trailing	58	410087	1	Decal

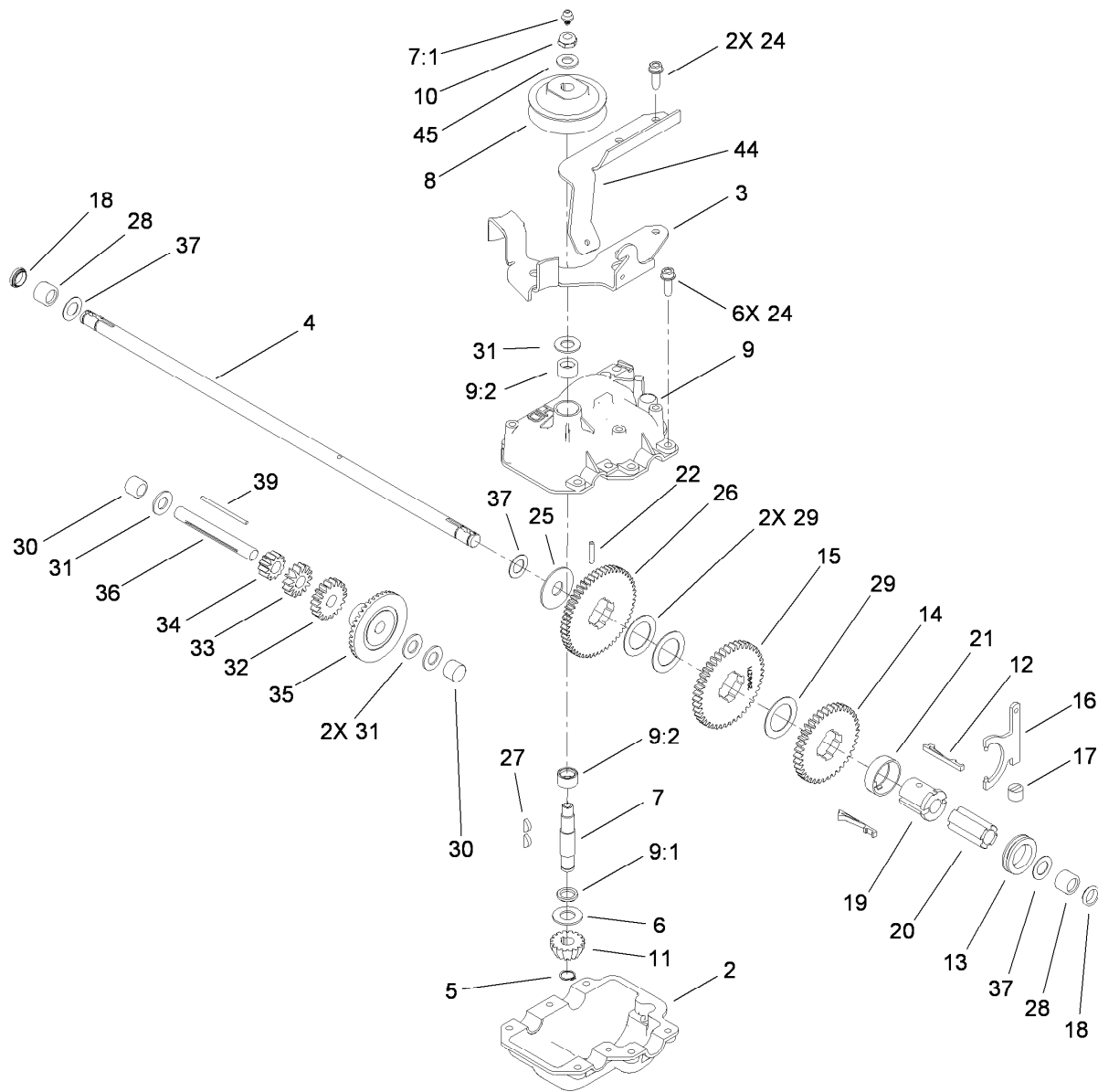
● Not illustrated



Wheel and Tire Assembly No. 115-3849

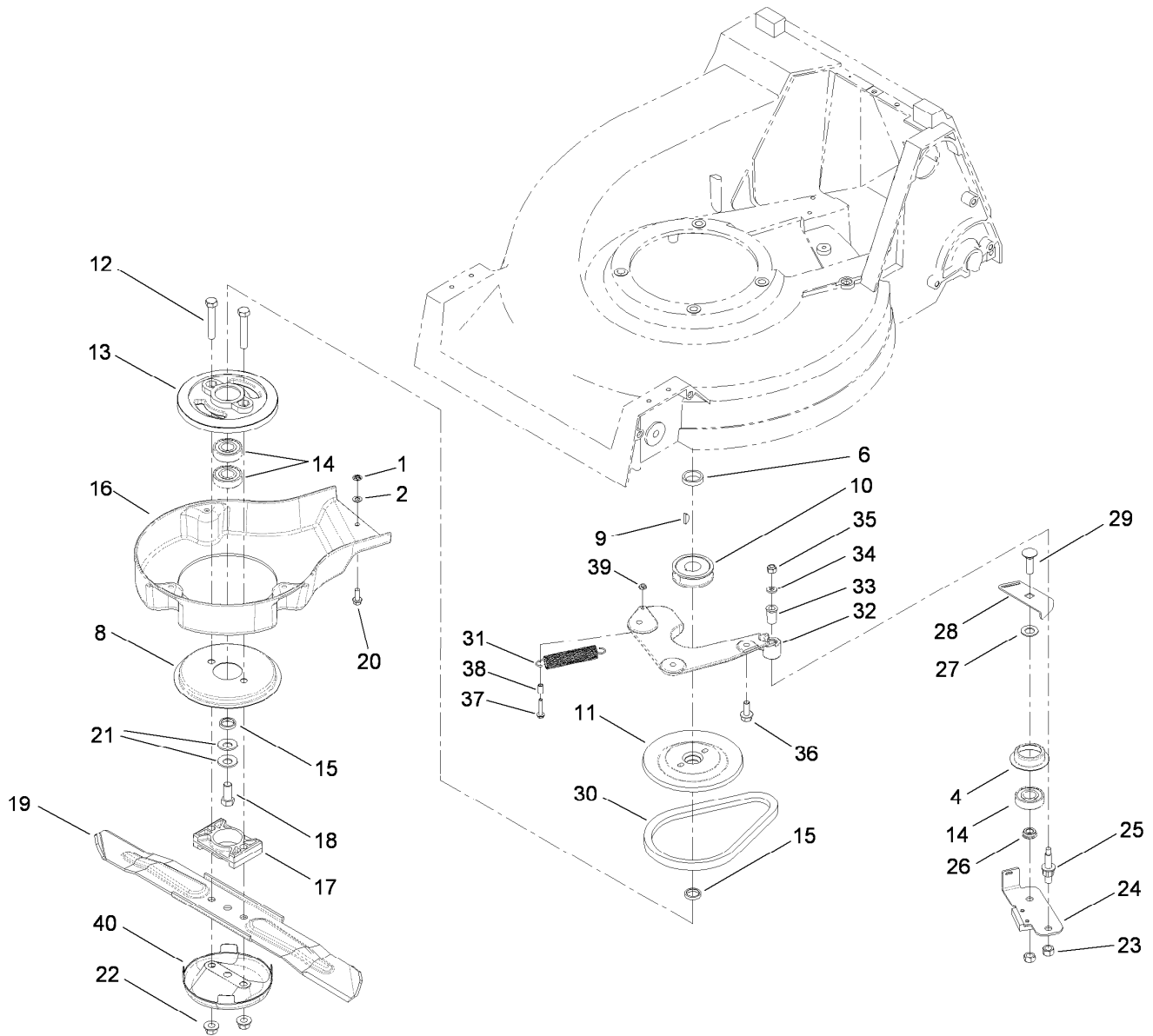
<i>Ref.</i>	<i>Part Number</i>	<i>Qty.</i>	<i>Description</i>
1	53-7740	1	Tire
2		1	Wheel ASM ●
2:1		1	Hub And Bearing ASM ●
2:1:1	52-2410	1	Hub-Bearing
2:1:2	52-2440	1	Spacer-Bearing
2:1:3	52-2450	2	Bearing-Wheel
2:2	115-3806	2	Plate-Wheel, Half
2:3	321-2	4	Screw-HH
2:4	3296-42	4	Nut-Lock, NI

● Not serviced separately



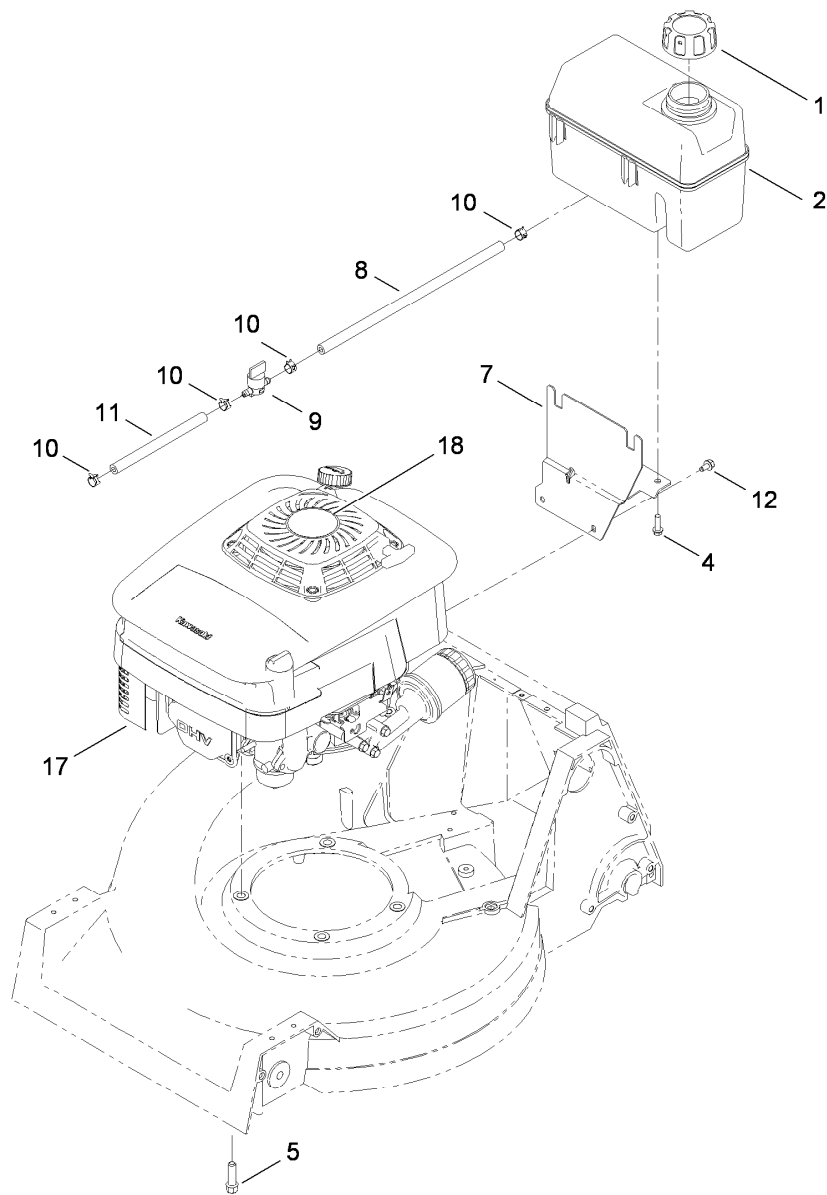
Gear Case Assembly No. 110-2100

Ref.	Part Number	Qty.	Description	Ref.	Part Number	Qty.	Description
2	74-1920	1	Case-Gear, Lower	20	39-6720	1	Sleeve
3	49-8461-03	1	Bracket-Guide, Belt	21	55-8020	1	Retainer-Key
4	74-1890	1	Shaft-Output	22	3285-19	1	Pin-Groove
5	32151-57	1	Ring-Retaining	24	49-2040	8	Screw-HWHTF
6	47-2910	1	Washer-Thrust	25	29-9690	1	Washer
7	13-5149	1	Input Shaft ASM	26	46-3560	1	Gear
7:1	302-63	1	Zerk	27	3257-1	2	Key-Woodruff
8	39-6740	1	Pulley	28	117-3500	2	Bearing-Caged Needle Roller
9	13-9739	1	Upper Gearcase ASM	29	36-4770	3	Washer
9:1	47-7260	1	Seal	30	252-103	2	Bearing-Closed
9:2	47-7270	2	Bearing	31	36-4792	4	Washer-Thrust
10	3296-5	1	Nut-Lock	32	39-6650	1	Gear-18T
11	39-6660	1	Pinion-Bevel	33	46-3550	1	Gear-14T
12	29-9330	2	Key-Shift	34	46-3540	1	Gear-12T
13	29-9340	1	Collar-Shift	35	74-1760	1	Gear-Bevel
14	42-4740	1	Gear-38T	36	53-7950	1	Shaft-Intermediate
15	29-9271	1	Gear-42T	37	36-4780	3	Washer-Plain
16	60-8870	1	Yoke-Shift	39	39-7842	1	Key
17	29-9570	1	Bushing-Yoke	44	108-2648-03	1	Arm-Actuating, Gear Case
18	47-6730	2	Seal-Oil	45	3256-45	1	Washer-Flat
19	55-8010	1	Sleeve-Gear				



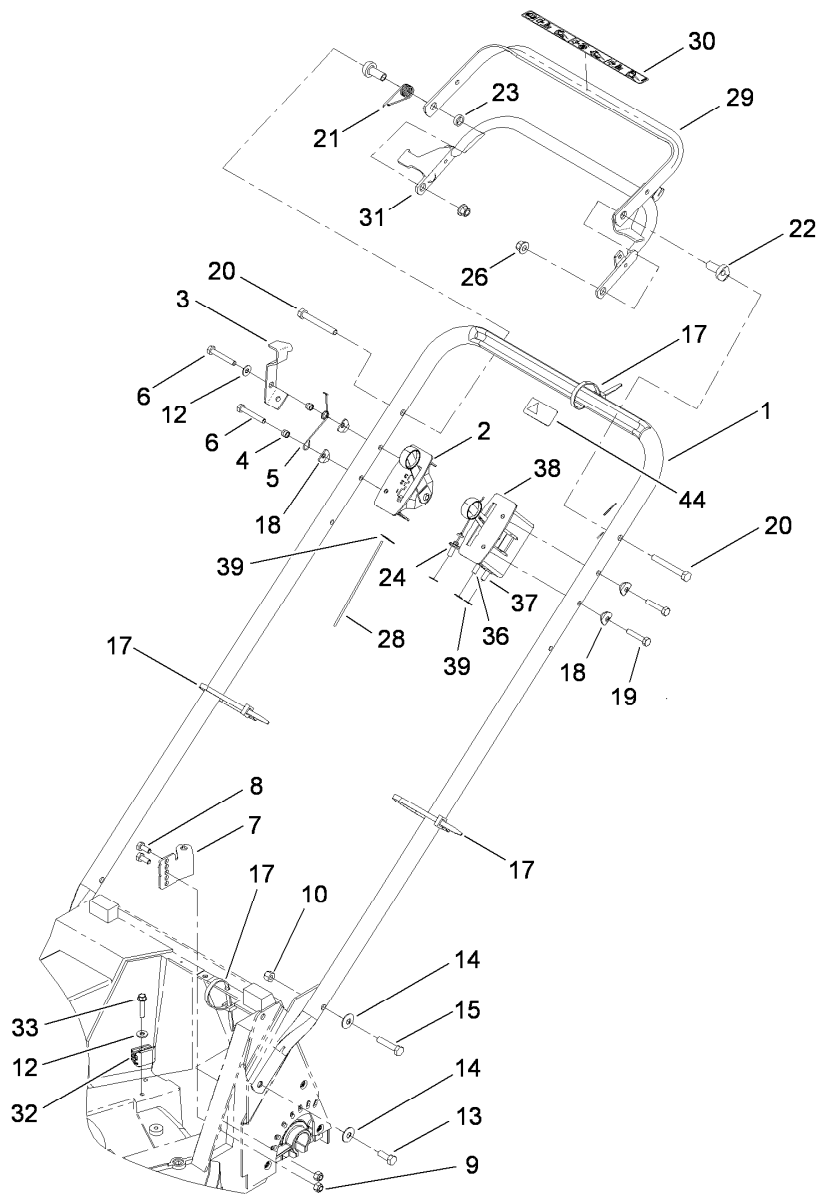
Blade Brake Clutch Assembly

Ref.	Part Number	Qty.	Description	Ref.	Part Number	Qty.	Description
1	106-8737	4	Nut-Retainer	23	603773	2	Nut
2	3256-60	4	Washer-Flat	24	107-7477	1	Brake Arm ASM
4	108-3790	1	Retainer-Belt	25	107-0759	1	Bolt-Shoulder
6	110-2142	1	Spacer-Pulley	26	107-0758	1	Spacer-Bearing
8	108-3787	1	Disc	27	605256	1	Washer
9	3257-17	1	Key-Woodruff	28	107-7471	1	Plate-Guide
10	56-6180	1	Pulley-Driver	29	3231-25	1	Screw-CARR
11	107-4277-03	1	Pulley-Driver, Upper	30	110-1790	1	Belt-BBC
12	104-5936	2	Screw-HH	31	115-4471	1	Spring-Extension
13	107-0754	1	Drum	32	107-4280	1	Plate-Mounting, BBC
14	100-1048	3	Bearing-Ball	33	107-0797	1	Bushing
15	107-4293	2	Spacer-Plate, BBC	34	3256-16	1	Washer-Flat
16	110-0508	1	Shield-BBC	35	3296-42	1	Nut-Lock, NI
17	107-4275	1	Spacer-Blade	36	33104-020	3	Screw-HHF
18	3212-4	1	Screw-HH	37	32144-9	1	Screw-TAP
19	91-2256-03	1	Blade-21 Inch	38	107-4292	1	Spacer-BBC
20	32144-85	4	Screw-HWH	39	3296-27	1	Nut-Lock, NI
21	1-603610	2	Washer-Spring	40	80-2770	1	Cup-Scalp, Anti
22	54-9190	2	Nut-Lock				



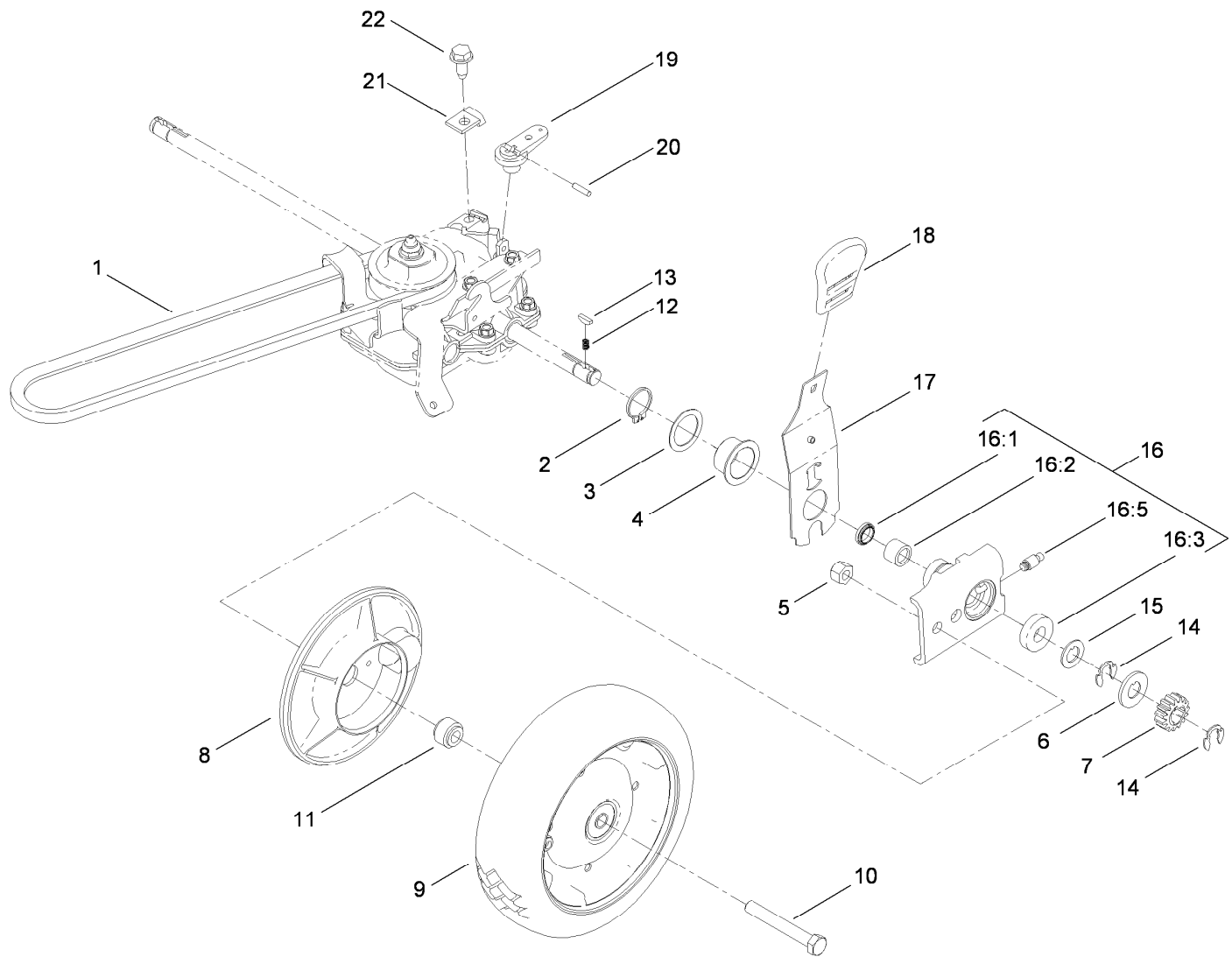
Engine and Fuel Tank Assembly

<i>Ref.</i>	<i>Part Number</i>	<i>Qty.</i>	<i>Description</i>
1	93-7198	1	Gas Cap ASM
2	117-3510	1	Fuel Tank ASM
4	46-8091	2	Screw-HWH
5	95-1727	4	Screw-Taptite
7	115-0954-03	1	Tank Mount ASM
8	114-3766	1	Hose-Fuel
9	1-603770	1	Valve-Fuel
10	2412-98	4	Clamp
11	107-0588	1	Hose-Fuel
12	104-2628	3	Screw-HWH
17	106-0845	1	Engine ASM
18	111-3205	1	Decal



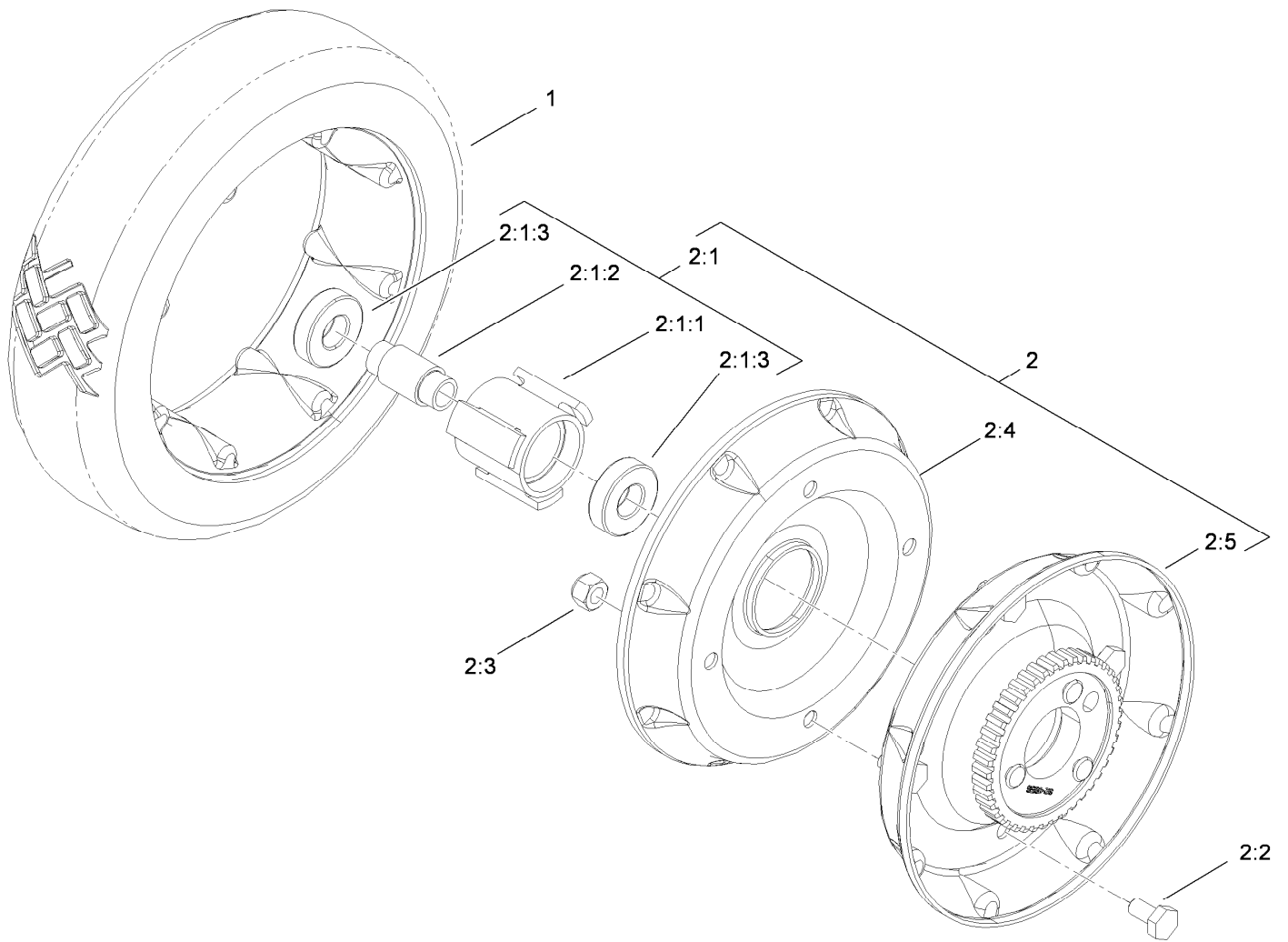
Handle Assembly

Ref.	Part Number	Qty.	Description	Ref.	Part Number	Qty.	Description
1	107-4162-03	1	Handle	20	322-12	2	Screw-HH
2	116-0504	1	Control-Shift	21	115-0993	1	Spring-Torsion
3	115-0999-01	1	Latch-Lever, BBC	22	49-1631	2	Spacer-Support
4	110-0542	2	Spacer-Flange	23	59-4310	1	Spacer
5	115-0996	1	Spring-Torsion, Latch	24	107-4296	1	Cable-BBC
6	321-10	2	Screw-HH	26	3296-58	2	Nut-Lock, NI
7	115-4453	1	Anchor-Cable	28	107-4295	1	Cable-Shift
8	321-3	2	Screw-HH	29	115-4454-03	1	Traction Bail ASM
9	3296-42	2	Nut-Lock, NI	30	110-2115	1	Decal-Control
10	3296-29	4	Nut-Lock, NI	31	115-4452-03	1	BBC Bail ASM
12	3256-1	2	Washer-Flat	32	92-7729	1	Anchor-Cable, Upper
13	322-4	2	Screw-HH	33	32144-110	1	Screw-HWH
14	3290-456	4	Washer-Belleville	36	107-4294	1	Cable-Traction
15	322-7	2	Screw-HH	37	110-4923	1	Throttle Cable ASM
17	3290-378	4	Tie-Cable	38	117-3544	1	Control Head
18	115-0995	4	Washer	39	32151-86	4	E-Ring
19	321-13	2	Screw-HH	44	98-4387	1	Decal-Protection, Ear



Height-of-Cut and Rear Wheel Assembly

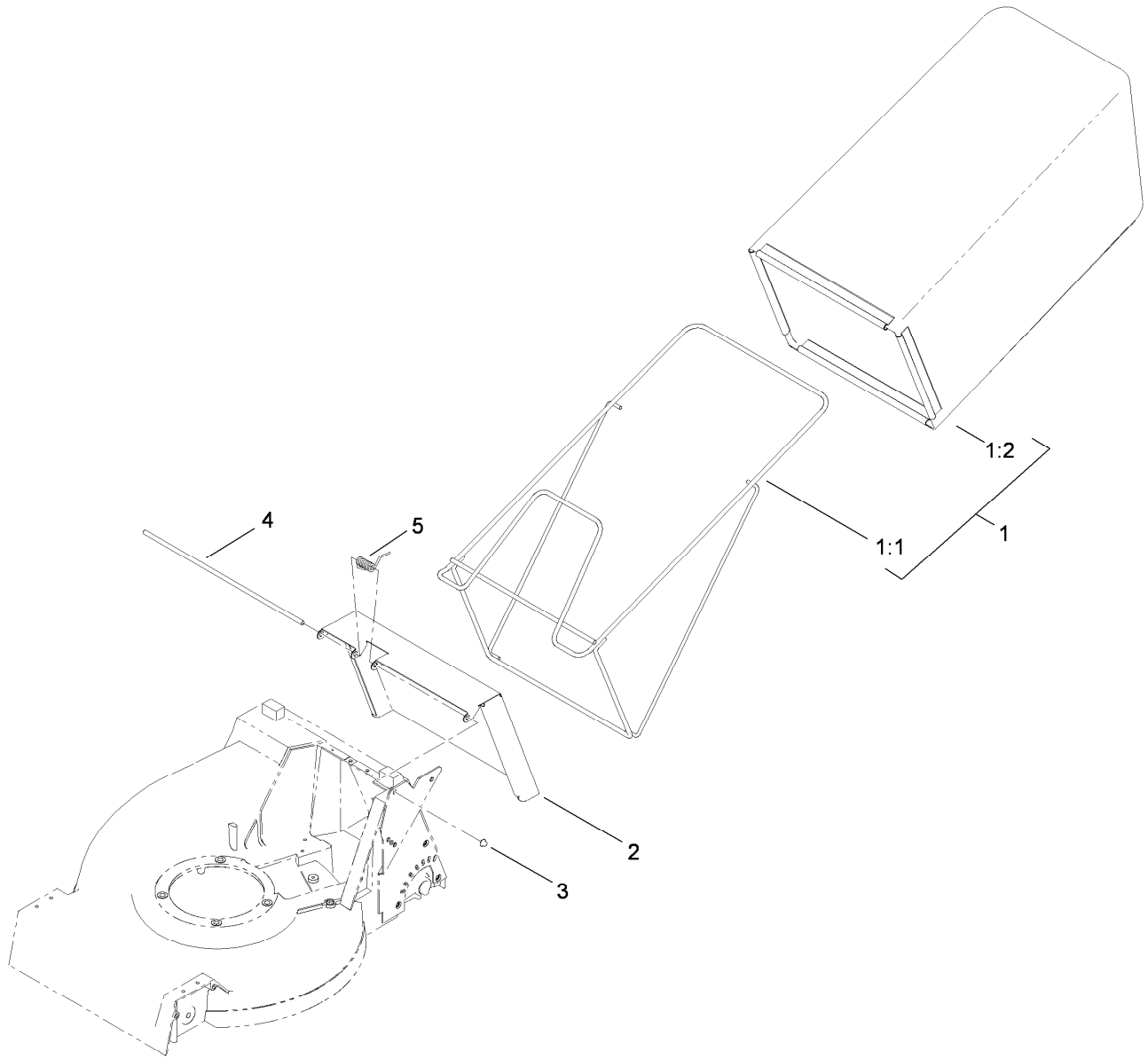
<i>Ref.</i>	<i>Part Number</i>	<i>Qty.</i>	<i>Description</i>	<i>Ref.</i>	<i>Part Number</i>	<i>Qty.</i>	<i>Description</i>
1	612652	1	V-Belt	15	49-7700	2	Washer-Thrust, Outer
2	32151-36	2	Ring-Retaining	16	74-1851	2	Pivot Arm ASM
3	74-1810	2	Washer	16:1	47-6730	1	Seal-Oil
4	115-0966	2	Bushing-Flange	16:2	117-3500	1	Bearing-Caged Needle Roller
5	32152-2	2	Nut-Lock, Cone	16:3	52-2450	1	Bearing-Wheel
6	62-3830	2	Washer-Thrust, Outer	16:5	92-6316	1	Zerk
7	39-9160	2	Gear-Pinion	17	119-2322	2	Rear Spring Arm ASM
8	74-1640	2	Cover-Wheel	18	110-0549	2	Knob-HOC
9	115-3813	2	Wheel And Tire ASM	19	29-9560	1	Lever-Shift
10	323-13	2	Screw-HH	20	32121-99	1	Pin-Coil
11	74-1650	2	Spacer-Cover, Wheel	21	62-3720	1	Clamp-Cable
12	39-9650	2	Spring-Compression	22	32144-70	1	Screw-HWHTF
13	612066	2	Key				
14	32151-68	4	Ring-Retaining				



Rear Wheel Assembly No. 115-3813

Ref.	Part Number	Qty.	Description
1	53-7740	1	Tire
2		1	Wheel ASM ●
2:1		1	Hub And Bearing ASM ●
2:1:1	52-2410	1	Hub-Bearing
2:1:2	52-2440	1	Spacer-Bearing
2:1:3	52-2450	2	Bearing-Wheel
2:2	321-2	4	Screw-HH
2:3	3296-42	4	Nut-Lock, NI
2:4	115-3806	1	Plate-Wheel, Half
2:5	115-3848	1	Wheel Half And Gear ASM

● Not serviced separately



Grass Bag Assembly

<i>Ref.</i>	<i>Part Number</i>	<i>Qty.</i>	<i>Description</i>
1	115-3815	1	Grass Bag ASM
1:1	110-0510-03	1	Frame ASM
1:2	115-3817	1	Grass Bag ASM
2	114-3445-03	1	Door-Discharge, Rear
3	32112-1	2	Pushnut-Cap, Washer
4	107-4286	1	Rod-Door
5	110-5005	1	Spring-Torsion, Door

Notes:

Notes:

Notes:

