

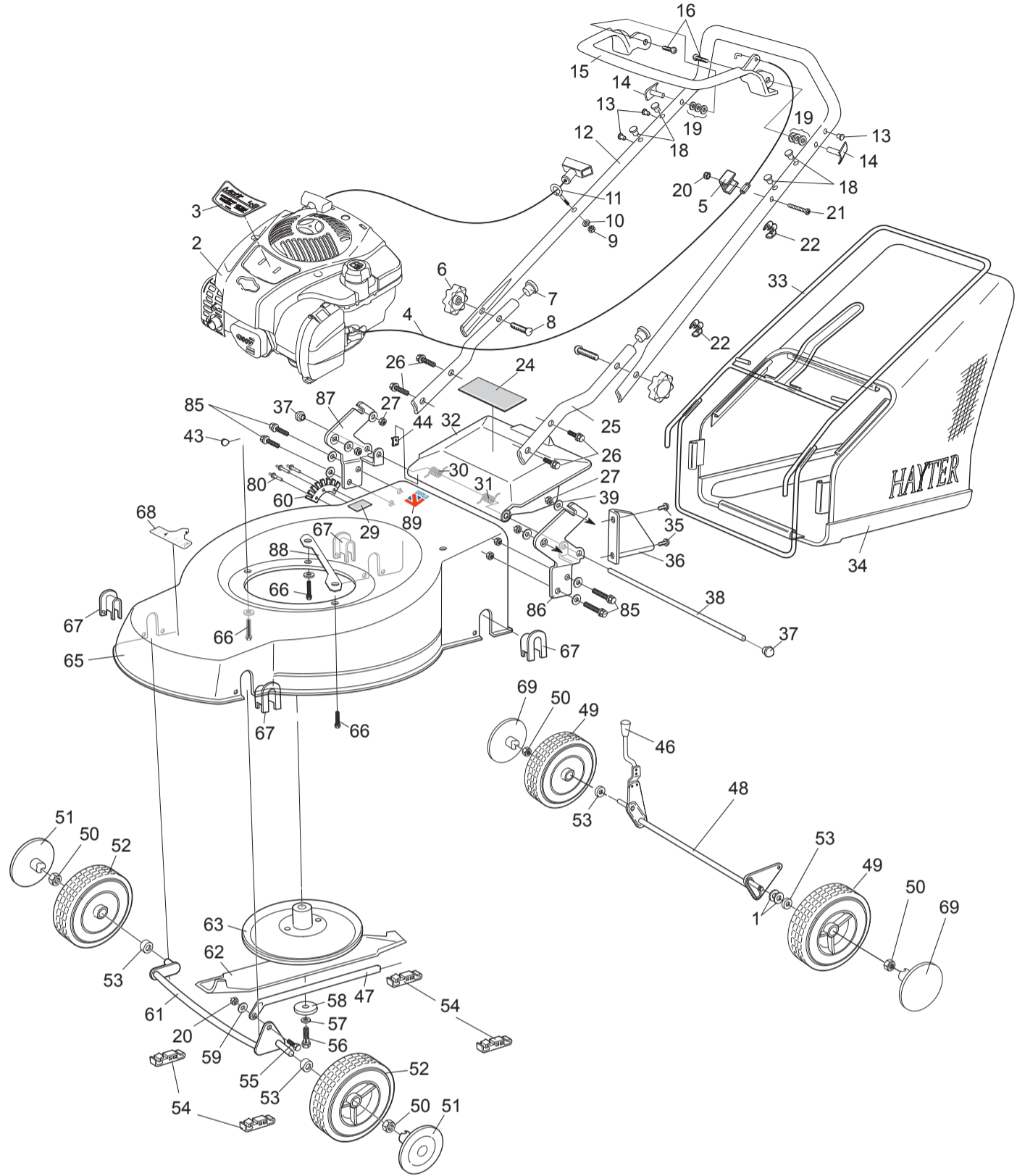
# Motif 48 - Parts List

Original Version: EN

Issue : 19.05.14

Codes: 438H

From Serial: 314000001 and up

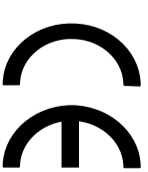


Item No	Description	Part No.	QTY	Notes	Item No	Description	Part No.	QTY	Notes
1	WASHER PLAIN	HY09485	2		38	DEFLECTOR PIN 6 x 385	433007	1	
2	ENGINE - BRIGGS & STRATTON, 600EX	111-7310	1		39	WASHER PLAIN 5/16 X1 X 16g	09270	4	
3	DECAL ENGINE CODES 438H	111-7371	1		43	KEY WOODRUFF 3/16 x 5/8	1662	1	
4	CABLE ENGINE BRAKE	111-3342	1		44	CLIP BELT COVER	111-7654	1	
5	FITTING HANDLEBAR	411035	1		46	KNOB HOC-GRIFF	111-7682	1	
6	KNOB M8 HANDLEBAR	480088	2		47	CONNECTING ROD 48 PUSH	111-7492-03	1	
7	PLUG TUBE 7/8 x 16g E	300160	2		48	AXLE REAR 48 PUSH W/A	111-7504-03	1	
8	BOLT HANDLEBAR M8 x 45	HY226024	2		49	WHEEL REAR 200 WAFFEL	111-7662	2	
9	NUT M6 NYLOC P TYPE GD 8	09544	1		50	M12 NYLOC EXTRA THIN	111-7664	4	
10	WASHER PLAIN M6 x 12 x 1.6	09472	1		51	TRIM WHEEL 180 BLACK	111-7665	2	
11	GUIDE ROPE	305093	1		52	WHEEL FRONT 180 WAFFEL	111-7661	2	
12	UPPER HANDLEBAR	305145W	1		53	AXLE SPACER	111-7659	4	
13	FASTENER DRIVE 6.5	341033	3		54	AXLE RETAINER	111-7681	4	
14	PIN PIVOT	340182	2		55	M6 x 6 SHOULDER SCREW	111-7678	2	
15	LEVER ENGINE	340179	1		56	BOLT UNF	09118	1	
16	SCREW DIA 6 x 20 PT PAN FLANGE	09687	2		57	WASHER SPRING 3/8 SC	09273	1	
18	FASTENER DRIVE	300144	4		58	SPACER DISTANCE CUTTERBAR	HY4014	1	
19	WASHER NYLON 19 x 11 x 1.6	09688	6		59	WASHER M6	111-7679	2	
20	NUT M6 NYLOC T TYPE	09438	4		60	PLATE RATCHET HOC	432020W	1	
21	BOLT M6 x 40	ZBH1F040U	1		61	AXLE FRONT 48 W/A	433014W	1	
22	GUIDE CABLE	410037	2		62	CUTTERBAR 19 INCHES	111-5013	1	
24	DECAL - SAFETY PETROL	111-0083	1		63	FRICTION DISC W/A	397042W	1	
25	HANDLEBAR LOWER	432001W	2		65	DECK (GREEN)	111-0962-08	1	
26	SETSCREW M8 x 20	09368	4		66	SCREW TAPTITE UNC 3/8 X 1 1/4	09349	3	
27	NUT M8 NYL INSERT T TYPE	09441	4		67	AXLE SUPPORT	111-7680	4	
29	LABEL HEIGHT OF CUT	320006	1		68	DECAL HAYTER	410087	1	
30	SPRING TORSION REAR DEFL. RH	111-7655	1		69	TRIM WHEEL 200 BLACK	111-7666	2	
31	SPRING TORSION REAR DEFL. LH	111-7656	1		80	RIVET POP .187DIA	MU710259	3	
32	REAR DEFLECTOR 48	111-7653	1		85	SCREW TAPTITE M10 x 25 HEX W.HD	111-6759	4	
33	FRAME GRASSBAG 48/53	433010W	1		86	BRACKET HANDLEBAR LH	111-0964-03	1	
34	FABRIC GRASSBAG	433003	1		87	BRACKET HANDLEBAR RH	111-0965-03	1	
35	SCREW PAN HEAD M5 x 12 TAPTITE	10-11-029	2		89	DECAL - MADE IN BRITAIN	111-7722	1	
36	PLATE DISCHARGE	432021W	1						
37	STARLUX END CAP 6MM	111-7657	2						

# Motif 48 - Declaration Of Conformity

## EC DECLARATION OF CONFORMITY

Manufactured by: HAYTER LIMITED,  
Address: Spellbrook, Bishop's Stortford, Herts. CM23 4BU. ENGLAND  
declare that the lawnmower :



Model name: **Motif 48**  
**Push**  
Type: Pedestrian rotary  
Model No: CODE 438  
Cutting width: 48 cm  
Speed of rotation of the cutting device: 2800 rpm  
Engine manufacturer: Briggs & Stratton  
Speed of rotation of engine: 2800 rpm  
Serial No. Range: 314000001 and up

Complies with the provisions of Directive: 2006/42/EC Essential Health & Safety Requirements Relating to the Design & Construction of Machinery and Safety Components and the regulations transposed into national law.

Also Directive 2004/108/EEC Electromagnetic Compatibility and the regulations transposed into national law.

Also Directive 2000/14/EC Noise emission in the environment by equipment for use outdoors, as amended and the regulations transposed into national law.

Procedure applied for the conformity assessment: ANNEX VI, procedure 1.

Notified Body: Sound Research Laboratories Ltd. Holbrook House, Little Waldingfield, Sudbury, Suffolk.  
CO10 0TH. ENGLAND

Notified body identification No: 1088

Measured sound power level: 94 dB(A)  
Guaranteed sound power level: 96 dB(A)

Signed

Don Lackner  
(Manager, Sr. Engineering)

Date: 08.4.2014  
Declaration done and technical documentation kept at:  
HAYTER LIMITED  
Spellbrook, Bishop's Stortford,  
Herts. CM23 4BU ENGLAND

### VIBRATION INFORMATION

Hand / Arm Vibration Level at the Operator Position measured in accordance with BS EN ISO 5395-3:

Measured Vibration Level (Left Hand) ahv = **4.2** ms<sup>-2</sup>  
Measured Vibration Level (Right Hand) ahv = **4.4** ms<sup>-2</sup>  
Uncertainty of measurement K = **2.2** ms<sup>-2</sup>

### SOUND PRESSURE INFORMATION

Sound Pressure Level at the Operator Position measured in accordance with BS EN ISO 5395-3:  
Measured Sound Pressure Level LPA **84** dB(A)  
Uncertainty of measurement K = **2** dB(A)

Serial No.