

Original Version: EN

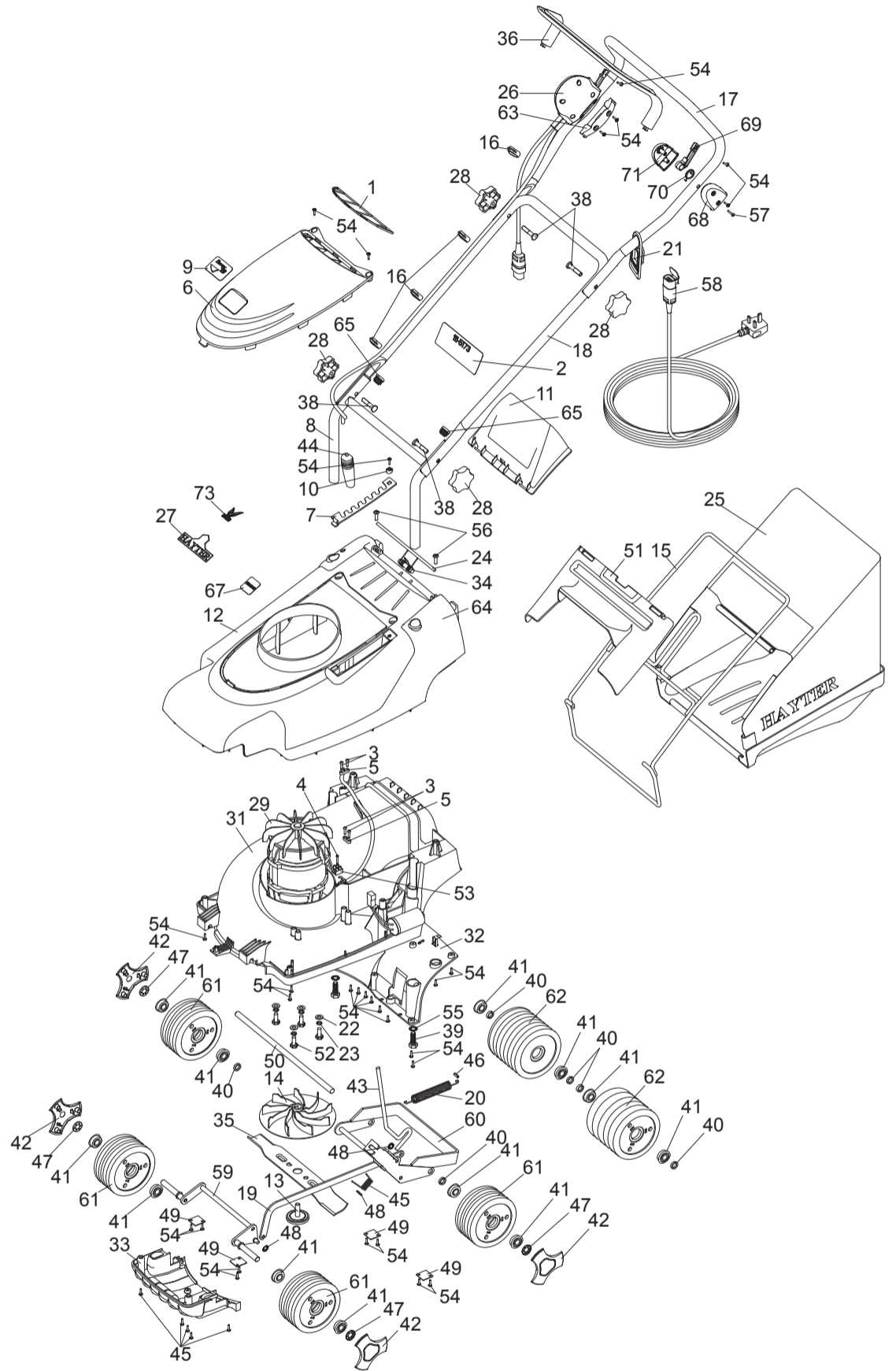
Issue : 27.09.13

Codes: 100J

From Serial: 314000001 and up

Full Assembly

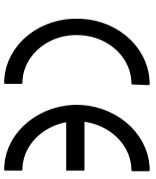
Item No	Description	Part No.	QTY
1	VENT MESH ASM	111-0074	1
2	DECAL-SAFETY ELECTRIC	111-5173	1
3	SCREW	111-0094	4
4	SCREW	111-0106	1
5	CLAMP-CABLE	111-0117	2
6	MOTOR COVER	111-0538	1
7	PLATE-HOC	111-0539	1
8	HANDLEBAR-LOWER	111-0540-03	1
9	DECAL ENVOY ELECTRIC	111-4441	1
10	COVER-SCREW HOC	111-0543	1
11	DEFLECTOR-REAR	111-1042	1
12	TOP COVER	111-1055	1
13	BOLT-FIXING CUTTERBAR (NYLON)	100013	1
14	CARRIER-CUTTERBAR	100014	1
15	FRAME-GRASSBAG	100016-03	1
16	CLIP-CABLE	100023	4
17	HANDLEBAR-UPPER	100024	1
18	HANDLEBAR-MIDDLE	100025-03	1
19	ROD-CONNECTING	100037	1
20	SPRING-COUNTER BALANCE	100080	1
21	CLEAT-CABLE	100105	1
22	WASHER	09475	4
23	WASHER-SPRING	03469	4
24	ROD-DEFLECTOR	100126	1
25	GRASSBAG FABRIC AND BOTTOM ONLY	100513	1
26	SWITCH AND LEAD ASSY	100515	1
27	DECAL	410087	1
28	KNOB-HANDLEBAR	480088	4
29	MOTOR (1.4 Kw)	HY100001	1
31	UNDERDECK	HY100003	1
32	THROWPLATE	HY100004	1
33	FINS	HY100006	1
34	SPRING-DEFLECTOR	HY100009	1
35	CUTTERBAR	HY100012	1
36	ARM-BAIL	HY100017	1
38	BOLT-HANDLEBAR	HY226024	4
39	BOLT-PLASTIC	HY100029	2
40	SPACER-WHEEL, REAR	HY100030	6
41	BEARING-WHEEL	HY100033	12
42	HUB CAP	HY100036	4
43	LEVER-HOC	HY100038	1
44	KNOB-HOC	HY100039	1
45	SPRING-HOC	HY100041	1
46	PIN-SPRING HOC	HY100042	1
47	WASHER-STARLOCK 12mm	HY100047	4
48	WASHER-STARLOCK 8mm	0201086	3
49	PLATE-PIVOT AXLE	HY100064	4
50	ROD-AXLE REAR	HY100068	1
51	TOP-GRASSBAG TOP	HY100075	1
52	BOLT-MOTOR	HY100076	4
53	BLOCK-TERMINAL	HY100077	1
54	SCREW	HY100078	34
55	WASHER	HY100079	2
56	SCREW-PPH THREAD FORMING	09687	2
57	SCREW-PPH THREAD FORMING	HY100128	1
58	MAIN LEAD	HY100135	1
59	FRONT AXLE ASM	HY100503	1
60	REAR AXLE ASM	HY100504	1
61	WHEEL ASM	HY100505	4
62	WHEEL ASSY WIDE	HY100506	2
63	SWITCH LEFT LOWER	HY100021	1
65	PLUG-TUBE	300160	2
67	DECAL-HOC	320006	1
68	MOUNT LEFT	100085	1
69	LEVER MOUNT	HY100088	1
70	SPRING BAILARM	HY100087	1
71	MOUNT RIGHT	100086	1
73	DECAL - MADE IN BRITAIN	111-6625	1



Envoy - EC Declaration Of Conformity

EC DECLARATION OF CONFORMITY

Manufactured by: HAYTER LIMITED,
Address: Spellbrook, Bishop's Stortford, Herts. CM23 4BU. ENGLAND
declare that the lawnmower :



Model name:	Envoy
	Electric Lawnmower
Type:	Pedestrian rotary
Model No:	CODE 100
Cutting width:	36 cm
Speed of rotation of the cutting device:	2950 rpm
Engine manufacturer:	ATB, Austria
Speed of rotation of engine:	2950 rpm
Serial No. Range:	314000001 and up

Complies with the provisions of Directive: 2006/42/EC Essential Health & Safety Requirements Relating to the Design & Construction of Machinery and Safety Components and the regulations transposed into national law.

Also Directive 2004/108/EEC Electromagnetic Compatibility and the regulations transposed into national law.

Also Directive 2000/14/EC Noise emission in the environment by equipment for use outdoors, as amended and the regulations transposed into national law.

Procedure applied for the conformity assessment: ANNEX VI, procedure 1.

Notified Body: Intertek Testing & Certification Ltd., 4 Davy Avenue, Knowhill, Milton Keynes, MK5 8NL, UK.

Notified body identification No: 0359

Measured sound power level: 85 dB(A)

Guaranteed sound power level: 96 dB(A)

Signed

Date: 17.09.13
Declaration done and technical documentation kept at:
HAYTER LIMITED
Spellbrook, Bishop's Stortford,
Herts. CM23 4BU ENGLAND

S.A Maryniak
(Technical Director)

VIBRATION INFORMATION

Hand / Arm Vibration Level at the Operator Position measured in accordance with European Standard EN 836:

100

Measured Vibration Level $a_{hv} = 3.2 \text{ ms}^{-2}$

Uncertainty of measurement $K = 1.6 \text{ ms}^{-2}$

SOUND PRESSURE INFORMATION

Sound Pressure Level at the Operator Position measured in accordance with European Standard EN 836:

Measured Sound Pressure Level LPA = 80 dB(A)

Uncertainty of measurement $K = 3 \text{ dB(A)}$

Serial No.