

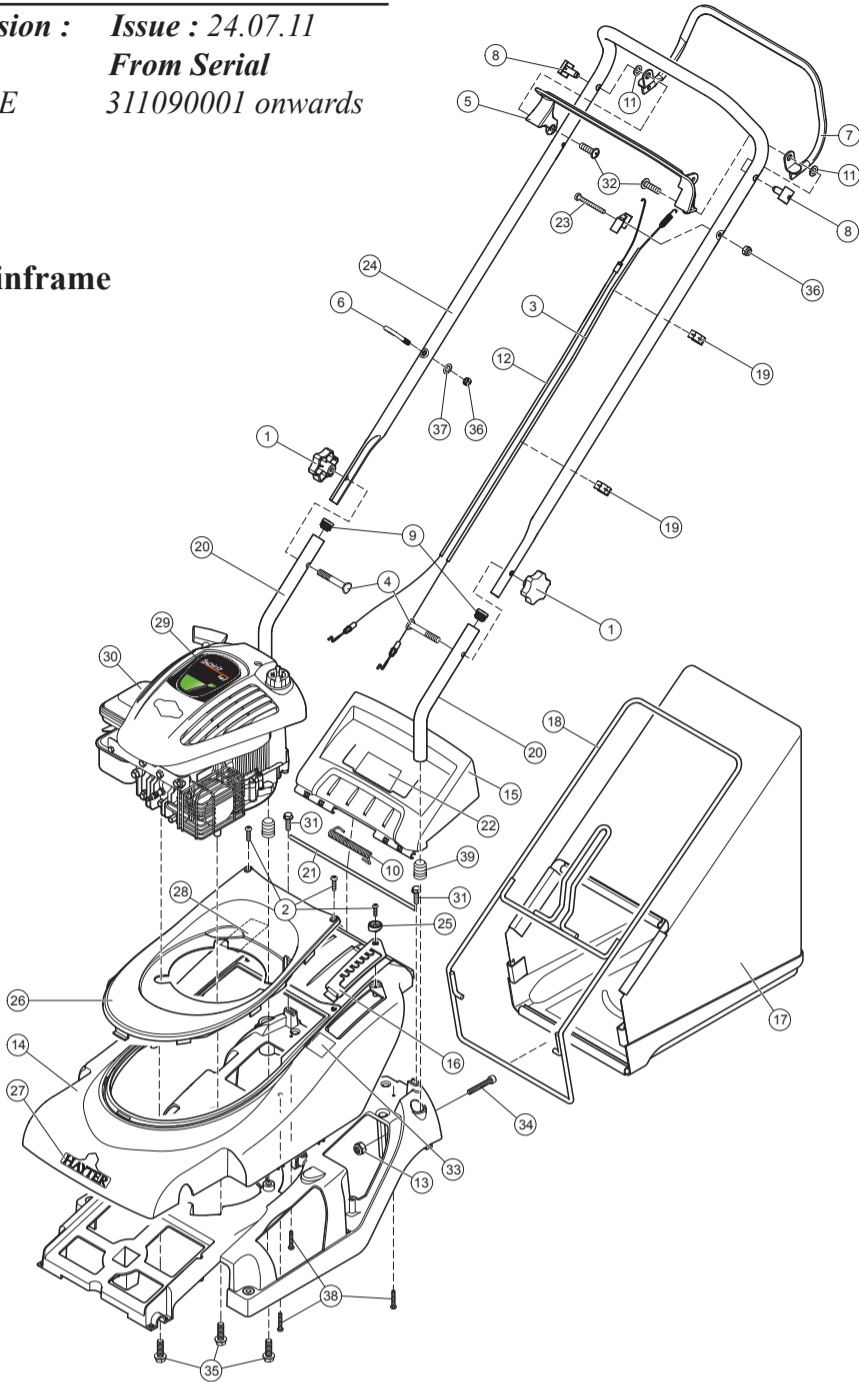


# HAYTER

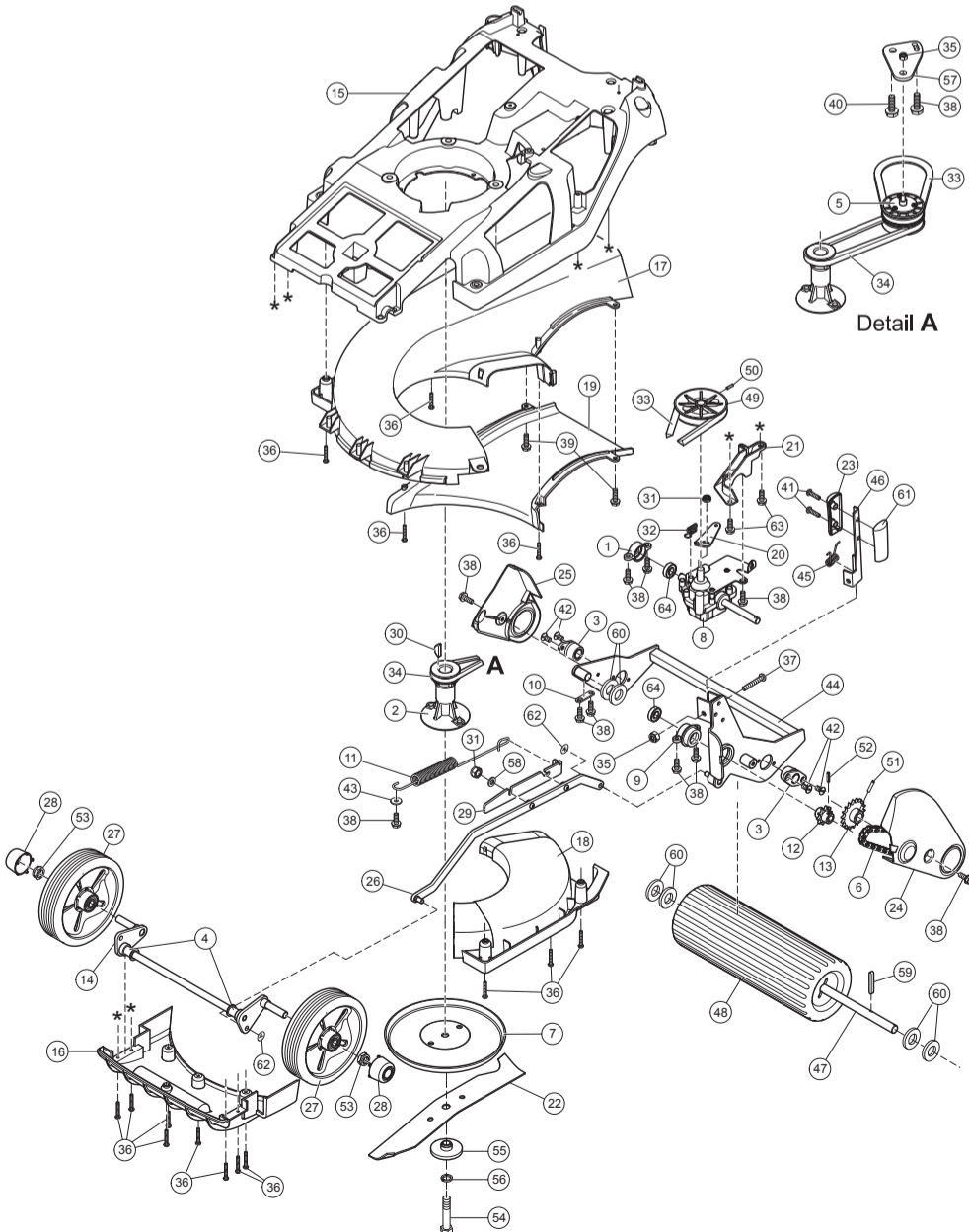
MAKERS OF THE FINEST MOWERS

English Version : Issue : 24.07.11  
Codes: From Serial  
617E & 619E 311090001 onwards

## Upper Mainframe



## Lower Mainframe



## Spirit - Parts List

Code 617E & 619E

### Upper Mainframe

Item No	Description	Part No.	617	619	Item Note
1	KNOB M8 HANDLEBAR	480088	2	2	
2	SCREW M4*16	111-0094	3	3	
3	CABLE CLUTCH	111-0095	0	1	
4	BOLT HANDLEBAR	HY226024	2	2	
5	ENGINE LEVER	111-0102	1	1	
6	GUIDE ROPE	305093	1	1	
7	LEVER CLUTCH	306094W	0	1	
8	PIN PIVOT	340182	2	2	
9	PLUG HANDLEBAR	300160	2	2	
10	SPRING DEFLECTOR	410030	1	1	
11	WASHER NYLON 19*11*1.6	09688	2	2	
12	CABLE ENGINE BRAKE	111-0096	1	1	
13	NUT M6 NYLOC 'T' TYPE	09438	2	2	
14	UPPER DECK MOULDING UPPER	111-1054	1	1	
15	MOULDING REAR DEFLECTION	111-1043	1	1	
16	PLATE HOC	111-0040	1	1	
17	GRASS BAG	111-0042	1	1	
18	GRASS BAG FRAME	111-0045	1	1	
19	GUIDE CABLE	410037	2	2	
20	HANDLEBAR LOWER	111-0051	2	2	
21	BAR HINGE	111-0056	1	1	
22	DECAL SAFETY	111-0083	1	1	
23	BOLT M6*40	ZBH1F040U	1	1	
24	HANDLEBAR	111-0079	1	1	
25	P CLIP	111-0098	1	1	
26	MOULDING TRIM	111-0089	1	1	
27	DECAL HAYTER ROYAL WARRANT	410087	1	1	
28	DECAL SERIAL NUMBER	-----	1	1	
29	DECAL ENGINE	111-3200	1	1	
30	ENGINE	111-2644	1	1	
31	TAPTITE M6*20 SCREW	09575	2	2	
32	SCREW 6*20 PT PAN FLANGE	09687	2	2	
33	DECAL HEIGHT OF CUT	320006	1	1	
34	SCREW M6*35 SCO	111-0118	2	2	
35	SCREW TAPITE 9.3*30.8	111-0805	3	3	
36	NUT M6 NYLON INSERT T TYPE	09544	2	2	
37	WASHER M6 PLAIN	09472	1	1	
38	SCREW PT M4*25	111-0100	3	3	
39	HANDLEBAR PLUGS	111-0960	2	2	

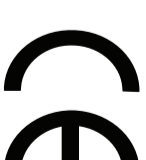
### Lower Mainframe

Item No	Description	Part No.	617	619	Item Note
1	HOUSING GEARBOX BEARING RH	410047	0	1	
2	CARRIER BLADE BOSS-DIE CAST	410078	1	1	
3	HOUSING BEARING ROLLER	219102	2	2	
4	BEARING FRONT AXLE	410069	2	2	
5	VARIATOR	411001	0	1	
6	CHAIN 40 PITCHES 3/8" INC LINK	111-0077	0	1	
7	FRICTION DISC	410057W	1	1	
8	GEARBOX	111-0804	0	1	
9	HOUSING PIVOT BEARING RR AXLE	410048	1	1	
10	PLATE SECURING	219037	1	1	
11	SPRING COUNTER BALANCE	410050	1	1	
12	SPROCKET 10T*3/8"	111-0123	0	1	
13	SPROCKET 18T*3/8"	111-0122	0	1	
14	AXLE FRONT WA	111-0027	1	1	
15	CAST CHASSIS	111-0031	1	1	
16	MOULDING FIN	111-0034	1	1	
17	MOULDING SNAIL DECK	111-0037	1	1	
18	MOULDING SNAIL DECK ACCESS	111-0038	1	1	
19	MOULDING THROW PLATE	111-0039	1	1	
20	CLUTCH LEVER	411020	0	1	
21	MOUNT BEARING	111-0050	1	1	
22	CUTTER BAR	111-0093	1	1	
23	HOC KNOB RIGHT	111-0055	1	1	
24	COVER ROLLER L.H.	111-0057	1	1	
25	COVER ROLLER R.H.	111-0058	1	1	
26	ROD CONNECTING	111-0063	1	1	
27	WHEEL	111-2021	2	2	
28	WHEEL CENTRE CAP	111-0066	2	2	
29	PLATE SPRING MOUNT	111-0073	1	1	
30	KEY WOODRUFF	1662	1	1	
31	NUT M6 NYLOC	09438	1	2	
32	SPRING	411021	0	1	
33	BELT VARIATOR	411025	0	1	
34	BELT VARIATOR	411024	0	1	
35	NUT M8 NYL INSERT T TYPE	09441	1	2	
36	SCREW PT M4*25	111-0100	15	15	
37	BOLT M8*55 HEX	09565	1	1	
38	TAPTITE M6*16 SCREW	09365	10	13	
39	TAPTITE M6*20 SCREW	09575	2	2	
40	TAPTITE M8*25 SCREW	09787	0	1	
41	SCREW M4	HY100078	2	2	
42	SCREW TAPTITE M6*16 C/SK POSI	09545	4	4	
43	WASHER PLAIN	09262	1	1	
44	ROLLER FRAME WA	111-0028	1	1	
45	SPRING TORSION HOC GALVANISED	111-0078	1	1	
46	HOC LEVER	111-0059	1	1	
47	REAR AXLE ROLLER	111-0067	1	1	
48	ROLLER	410044	1	1	
49	PULLEY	411019	0	1	
50	PIN	411023	0	1	
51	PIN SELLOC SPRING 5*25	HY03354	0	1	
52	PIN ROLL DIA 5*20	03997	0	1	
53	NUT M12 THIN	111-0119	2	2	
54	BOLT UNF 3/8 X 3 1/4 HEX HD	09788	1	1	
55	DISTANCE PIECE	HY4014	1	1	
56	WASHER SPRING	09273	1	1	
57	LEVER CLUTCH	111-0104	0	1	
58	WASHER M8 SHAKEPROOF	09476	0	1	
59	KEY	411037	1	1	
60	WASHER	09491	6	6	
61	HOC KNOB LEFT	111-0105	1	1	
62	WASHER STARLOCK	0201086	2	2	
63	SCREW M6*25 TAPTITE	111-0116	2	2	
64	Bearing 6001-2RS	411027	2	2	

# Spirit - EC Declaration Of Conformity

PartNumber:- 111-5147-B

## EC DECLARATION OF CONFORMITY



Manufactured for: HAYTER LIMITED,  
Address: Spellbrook, Bishop's Stortford, Herts. CM23 4BU. ENGLAND  
declare that the lawnmower :

Model name:	<b>Spirit 41 Push</b>	<b>Spirit 41 Autodrive</b>
Type:	Pedestrian rotary	Pedestrian rotary
Model No:	CODE 617E	CODE 619E
Cutting width:	41 cm	41 cm
Speed of rotation of the cutting device:	2850 rpm	2850 rpm
Engine manufacturer:	Briggs and Stratton	Briggs and Stratton
Speed of rotation of engine:	2850 rpm	2850 rpm

Complies with the provisions of Directive: 2006/42/EC Essential Health & Safety Requirements Relating to the Design & Construction of Machinery and Safety Components and the regulations transposed into national law.

Also Directive 2004/108/EEC Electromagnetic Compatibility and the regulations transposed into national law.

Also Directive 2000/14/EC Noise emission in the environment by equipment for use outdoors, as amended and the regulations transposed into national law.

Procedure applied for the conformity assessment: ANNEX VI, procedure 1.

Notified Body: TÜV Industrie Service GMBH - TÜV SÜD Group, Westenstraße 199, 80686 MÜNCHEN, Germany

Notified body identification No: 0036

Measured sound power level: 96 dB(A) 96 dB(A)  
Guaranteed sound power level: 96 dB(A) 96 dB(A)

Signed

Date: 26.10.09

Declaration done and technical documentation kept at:

S.A. Maryniak  
(Technical Director)

HAYTER LIMITED  
Spellbrook, Bishop's Stortford,  
Herts. CM23 4BU ENGLAND

### VIBRATION INFORMATION

Hand / Arm Vibration Level at the Operator Position measured in accordance with European Standard EN 836:

	<b>617</b>	<b>619</b>
Measured Vibration Level $a_{hv}$ =	11 $ms^{-2}$	11 $ms^{-2}$
Uncertainty of measurement K =	4 $ms^{-2}$	4 $ms^{-2}$

### SOUND PRESSURE INFORMATION

Sound Pressure Level at the Operator Position measured in accordance with European Standard EN 836:

Measured Sound Pressure Level $L_{PA}$ =	86 dB(A)	86 dB(A)
Uncertainty of measurement K =	4 dB(A)	4 dB(A)

Serial No.

**Spirit - Parts List**  
Codes 617E & 619E