



# HAYTER

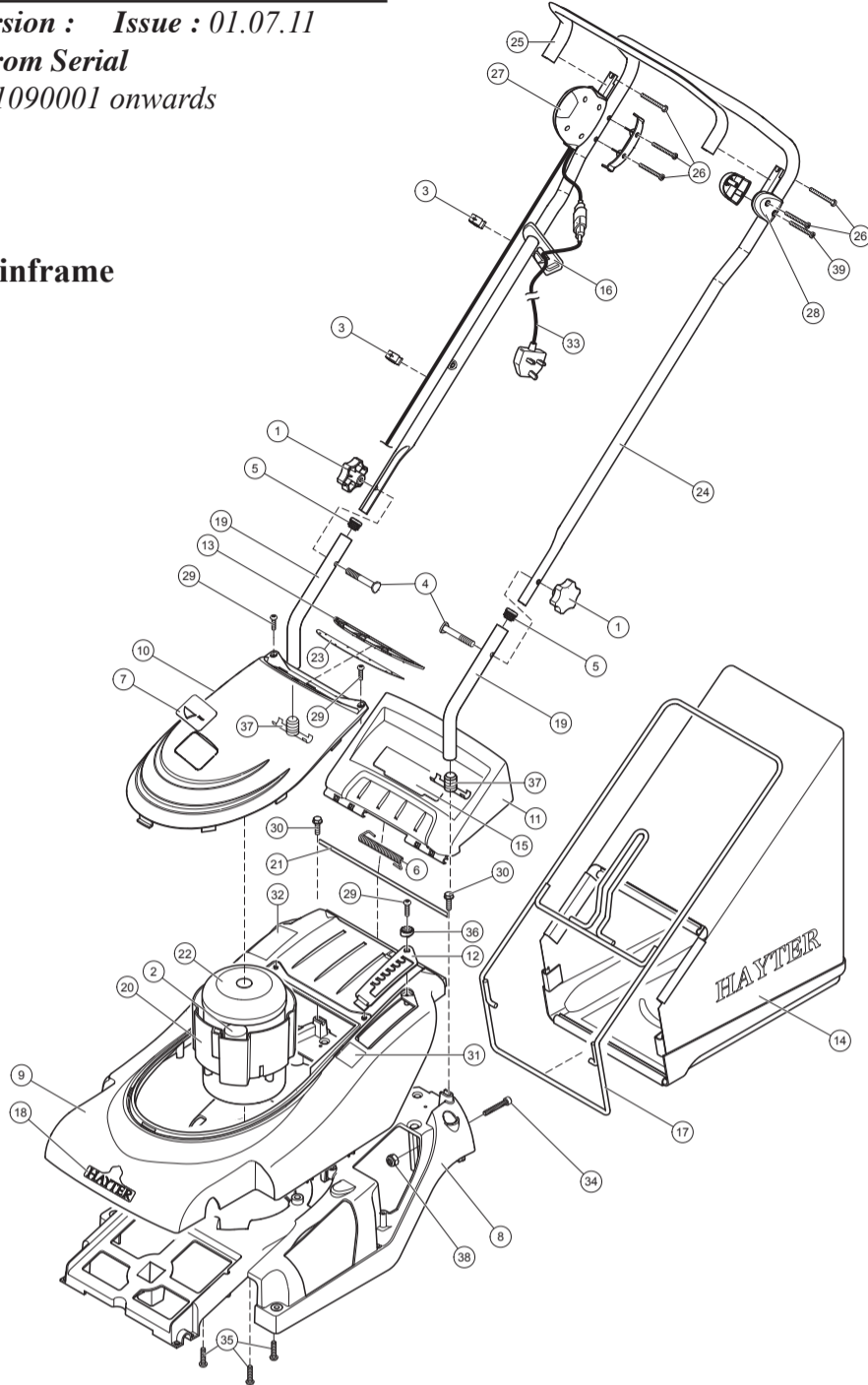
MAKERS OF THE FINEST MOWERS

English Version : Issue : 01.07.11

Codes: From Serial

615E 311090001 onwards

## Upper Mainframe

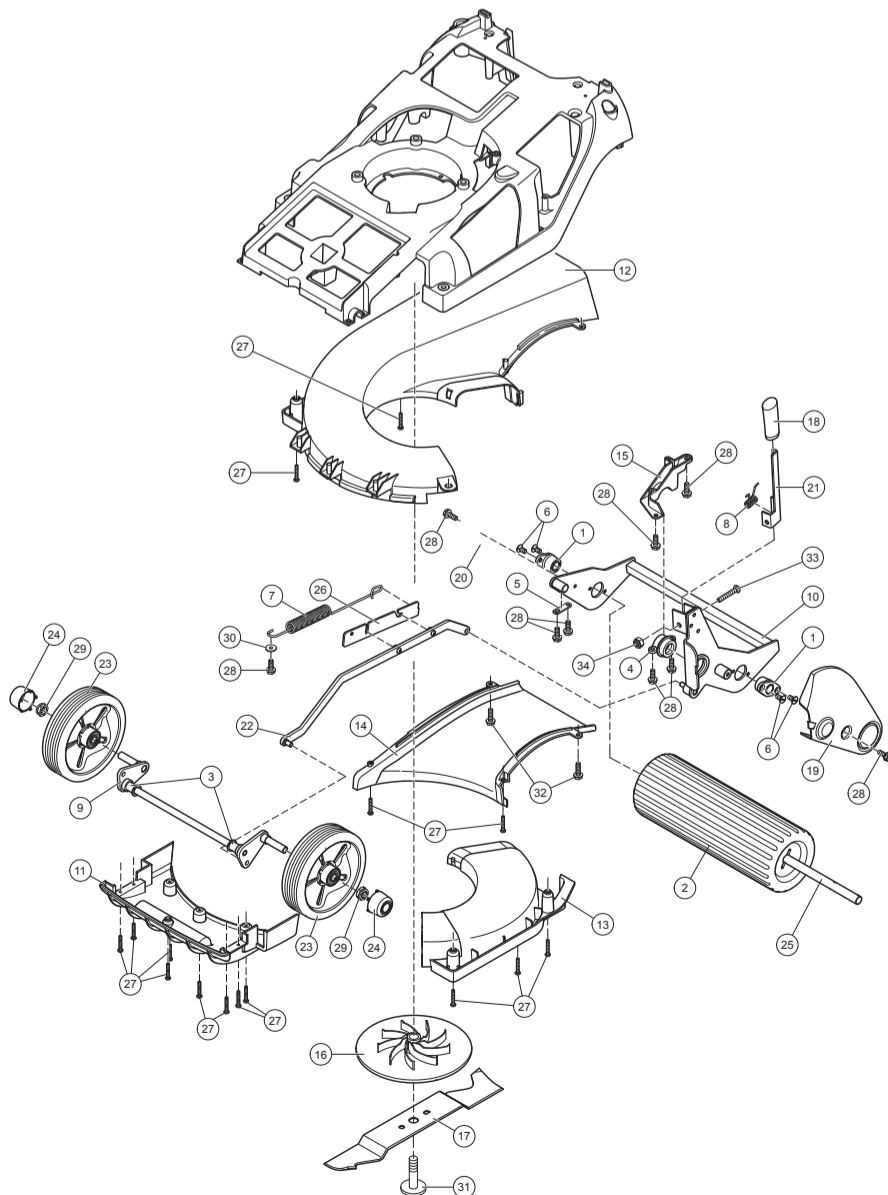


## Spirit - Parts List Code 615E

### Upper Mainframe

Item No	Description	Part No.	QTY	Item Note
1	KNOB M8 HANDLEBAR	480088	2	
2	CAPACITOR	309052	1	
3	GUIDE CABLE	410037	2	
4	BOLT-HANDLEBAR	226024	2	
5	PLUG-HANDLEBAR	300160	2	
6	SPRING DEFLECTOR	410030	1	
7	DECAL-ELECTRIC COVER	111-4442	1	
8	CASTING CHASSIS	111-0031	1	
9	MOULDING UPPER	111-0032	1	
10	MOULDING TRIM ELECTRIC	111-0033	1	
11	MOULDING REAR DEFLECTOR	111-0035	1	
12	PLATE- HOC	111-0040	1	
13	MOULDING-VENT MESH SUPPORT	111-0041	1	
14	GRASSBAG	111-0042	1	
15	DECAL SAFETY ELECTRIC	111-0084	1	
16	CLEAT CABLE	100105	1	
17	GRASSBAG FRAME	111-0045	1	
18	DECAL HAYTER ROYAL WARRANT	410087	1	
19	HANDLEBAR LOWER	111-0051	2	
20	MOUNT-ELECTRIC MOTOR	111-0052	1	
21	BAR-HINGE	111-0056	1	
22	MOTOR	309052	1	
23	VENT MESH GRILLE	111-0075	1	
24	HANDLEBAR ELECTRIC	111-0091	1	
25	BAIL ARM	100017	1	
26	SCREW M4	100087	6	
27	SWITCH ASSEMBLY	100508	1	
28	MOUNT BAIL ARM ASSEMBLY	100510	1	
29	SCREW M4X16_PT	111-0094	3	
30	TAPTITE M6X20	09575	2	
31	DECAL HEIGHT OF CUT	320006	1	
32	DECAL SERIAL NUMBER	100-0085	1	
33	CABLE - 17 METER	100511	1	
34	M4*25_PT	111-0100	2	
35	M6*25_PT	09787	3	
36	SCREW CUP ELECTRIC	111-0107	1	
37	HANDLEBAR PLUGS	111-0960	2	
38	NUT M6 NYLOC 'T' TYPE	09438	2	
39	SCREW PPH THREAD FOAMING	HY100128	1	

## Lower Mainframe



### Lower Mainframe

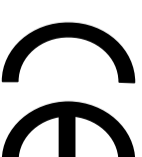
Item No	Description	Part No.	QTY	Item Note
1	HOUSING BEARING ROLLER	219102	2	
2	ROLLER	410044	1	
3	BEARING FRONT AXLE	410069	2	
4	HOUSING PIVOT BEARING FRT AXLE	410048	1	
5	PLATE SECURING	219037	1	
6	SCREW TAPTITE M6*16 C/SK POZI	09545	4	
7	SPRING COUNTER BALANCE	410050	1	
8	SPRING TORSION HOC	111-0078	1	
9	AXLE FRONT WA	111-0027	1	
10	ROLLER FRAME	111-0028	1	
11	MOULDING FIN	111-0034	1	
12	MOULDING SNAIL DECK	111-0037	1	
13	MOULDING SNAIL DECK ACCESS	111-0038	1	
14	MOULDING THROW PLATE	111-0039	1	
15	MOUNT - BEARING	111-0050	1	
16	MOUNT - ELECTRIC BLADE	111-0053	1	
17	CUTTER BAR	111-0054	1	
18	HOC - KNOB	111-0055	1	
19	COVER - ROLLER LH	111-0057	1	
20	COVER - ROLLER RH	111-0058	1	
21	HOC - LEVER	111-0059	1	
22	ROD CONNECTING	111-0063	1	
23	WHEELS	111-0064	2	
24	WHEELS CENTRE CAPS	111-0066	2	
25	REAR AXLE ROLLER WA	111-0067	1	
26	SPRING MOUNT	111-0073	1	
27	M4*25_PT	111-0100	17	
28	M6*16_TAPTITE	09365	9	
29	NUT UNF 1/2 NYLOC EXT THIN 5/16	4486	2	
30	WASHER PLAIN	09262	1	
31	BOLT FIXING CUTTERBLADE	100013	1	
32	M6X20 - TAPTITE	09575	2	
33	M8*55 HEX BOLT	09565	1	
34	M8 NYLOC NUT	09441	1	

# Spirit - EC Declaration Of Conformity

PartNumber:- 111-5144-A

## EC DECLARATION OF CONFORMITY

Manufactured for: HAYTER LIMITED,  
Address: Spellbrook, Bishop's Stortford, Herts. CM23 4BU, ENGLAND  
declare that the lawnmower:



Model name:	<b>Spirit 41</b> <b>Electric</b>
Type:	Pedestrian rotary
Model No:	CODE 615E
Cutting width:	41 cm
Speed of rotation of the cutting device:	2950 rpm
Motor manufacturer:	ATB, Austria
Speed of rotation of engine:	2950 rpm

Complies with the provisions of Directive: 2006/42/EC Essential Health & Safety Requirements Relating to the Design & Construction of Machinery and Safety Components and the regulations transposed into national law.

Also Directive 2004/108/EC Electromagnetic Compatibility and the regulations transposed into national law.

Also Directive 2006/95/EC Low Voltage and the regulations transposed into national law.

Also Directive 2000/14/EC Noise emission in the environment by equipment for use outdoors, as amended and the regulations transposed into national law.

Procedure applied for the conformity assessment: ANNEX VI, procedure 1.

Notified Body: TÜV Industrie Service GMBH - TÜV SÜD Group, Westenstraße 199, 80686 MÜNCHEN, Germany

Notified body identification No: 0036

Measured sound power level: 92 dB(A)

Guaranteed sound power level: 96 dB(A)

Signed

S. A. Maryniak  
(Technical Director)

Date: 17.12.09  
Declaration done and technical documentation kept at:  
HAYTER LIMITED  
Spellbrook, Bishop's Stortford,  
Herts. CM23 4BU ENGLAND

### VIBRATION INFORMATION

Hand / Arm Vibration Level at the Operator Position measured in accordance with European Standard EN 836:

**615**

Measured Vibration Level  $a_{hv} = 1 \text{ ms}^{-2}$

Uncertainty of measurement  $K = 0.5 \text{ ms}^{-2}$

### SOUND PRESSURE INFORMATION

Sound Pressure Level at the Operator Position measured in accordance with European Standard EN 836:

Measured Sound Pressure Level  $L_{PA} = 83 \text{ dB(A)}$

Uncertainty of measurement  $K = 1 \text{ dB(A)}$

Serial No.

# Spirit - Parts List

Code 615E