



# HAYTER

MAKERS OF THE FINEST MOWERS

## Hayterette - Parts List Code 005G

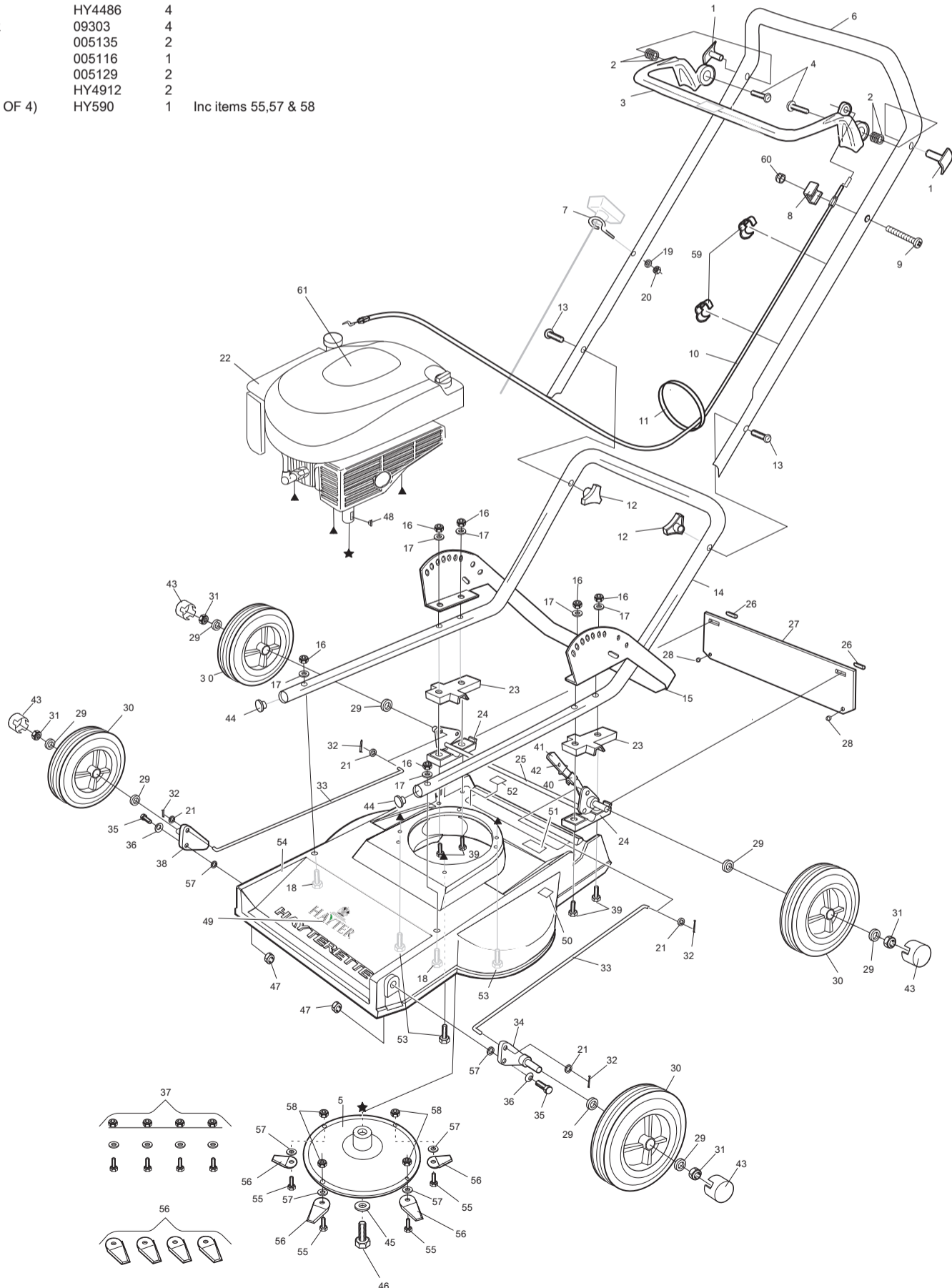
English Version : Issue : 03.02.10

Codes: From Serial

005G 31000001 onwards

### Full Assembly

Item No	Description	Part No.	QTY	Item Note	Item No	Description	Part No.	QTY	Item Note
1	PIN - PIVOT	340182	2		38	AXLE - FRONT W/A R/H	005115	1	
2	WASHER - 19MM NYLON	09688	6		39	BOLT - M8 X 75	ZBH1H075U	4	
3	LEVER - ENGINE	340197	1		40	CLIP - SPRING HANDLE RETAINING	HY4884	1	
4	SCREW - 6MM X 20	09687	2		41	HANDLE GRIP - BLACK	HY4097	1	
5	BOTTOM PLATE	HY2811	1		42	RIVET	09320	1	
6	HANDLEBAR - UPPER	111-0518-03	1		43	HUB CAP	111-1251	4	
7	GUIDE - ROPE	305093	1		44	PLUG - TUBE 7/8"	300160	2	
8	HANDLEBAR FITTING	411035	1		45	WASHER - 3/8" SPRING S/C	09273	1	
9	BOLT M6 x 40	ZBH1F040U	1		46	SCREW - 3/8" UNF X 1" LONG	09114	1	
10	CABLE - ENGINE BRAKE	111-3291	1		47	NUT - 3/8" UNF NYLOC	09216	2	
11	TIE - CABLE	HY3966	1		48	KEY - WOODRUFF	1662	1	
12	HANDWHEEL - TRIANGULAR	226013	2		49	DECAL - HAYTER	410087	1	
13	BOLT - M8 X 45 HANDLEBAR	HY226024	2		50	DECAL - HEIGHT OF CUT	320006	1	
14	HANDLEBAR - LOWER	005121W	1		51	DECAL - CAUTION	111-0083	1	
15	FOOTGUARD	005139W	1		52	DECAL - SERIAL NO.	-----	1	
16	NUT - M8 NYLOC	09442	6		53	SCREW TAPTITE UNC 3/8" x 1 1/4" LONG	09349	3	
17	WASHER - M8 PLAIN	09475	6		54	DECK	005140V	1	
18	BOLT - M8 X 45	09654	2		55	CUTTERBLADE BOLT	HY6306	4	
19	WASHER - M6 PLAIN	09472	1		56	CUTTERBLADE 'C' TYPE (SET OF 4)	2779	1	
20	NUT - M6 NYLOC	09544	1		57	PLAIN WASHER 3/8" X 1 1/4"	02394	6	
21	5/16" X 5/8" O/D WASHER	09266	4		58	NUT - 3/8" UNF NYLOC	09215	4	
22	ENGINE B&S SERIES 650 XVB COVER + RS	111-3071	1		59	CABLE GUIDE	410037	2	
23	BEARING BLOCK - UPPER	005146	2		60	NUT M6 NYLOC T TYPE	09438	1	
24	BEARING BLOCK - LOWER	005145	2		61	DECAL ENGINE HAYTERETTE (RS)	111-3201	1	
25	AXLE - REAR ASSEMBLY	005119	1						
26	PIN - SPRING	254013	2						
27	FLAP - REAR	005097	1						
28	GROMMET - RUBBER	HY6289	2						
29	BEARING	HY5221	8						
30	WHEEL - 8"	111-1479	4	Inc item 29					
31	Nut - 1/2" UNF Nyloc	HY4486	4						
32	PIN - SPLIT 1/2" X 3/32" DIAMETER	09303	4						
33	CONNECTING ROD	005135	2						
34	AXLE - FRONT W/A L/H	005116	1						
35	BOLT - AXLE PIVOT	005129	2						
36	SPRING - DISC 31.8X16X1.02MM	HY4912	2						
37	CUTTERBLADES BOLT - KIT (SET OF 4)	HY590	1	Inc items 55,57 & 58					

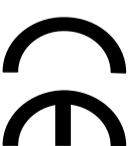


### Full Assembly

# Hayteretter - EC Declaration Of Conformity

PartNumber:- 111-3494-B

## EC DECLARATION OF CONFORMITY



Manufactured by: HAYTER LIMITED,  
Address: Spellbrook, Bishop's Stortford, Herts. CM23 4BU, ENGLAND  
declare that the lawnmower :

Model name: **Hayterette  
Push**  
Type: Pedestrian rotary  
Model No: CODE 005G  
Cutting width: 46 cm  
Speed of rotation of the  
cutting device: 2750 rpm  
Engine manufacturer: Briggs and Stratton  
Speed of rotation of engine: 2750 rpm

Complies with the provisions of Directive: 2006/42/EC Essential Health & Safety Requirements Relating to the Design & Construction of Machinery and Safety Components and the regulations transposed into national law.

Also Directive 2004/108/EEC Electromagnetic Compatibility and the regulations transposed into national law.

Also Directive 2000/14/EC Noise emission in the environment by equipment for use outdoors, as amended and the regulations transposed into national law.

Procedure applied for the conformity assessment: ANNEX VI, procedure 1.

Notified Body: Sound Research Laboratories Ltd, Holbrook House, Little Waldingfield,

Sudbury, Suffolk. CO10 0TH, ENGLAND

Notified body identification No: 1088

Measured sound power level: 94 dB(A)

Guaranteed sound power level: 96 dB(A)

Signed

Date: 26.10.09  
Declaration done and technical documentation kept at:  
HAYTER LIMITED  
Spellbrook, Bishop's Stortford,  
Herts. CM23 4BU ENGLAND

S.A Maryniak  
(Technical Director)

## VIBRATION INFORMATION

Hand / Arm Vibration Level at the Operator Position measured in accordance with European Standard EN 836:

**005**

Measured Vibration Level  $a_{hv} = 4 \text{ ms}^{-2}$

Uncertainty of measurement  $K = 1.5 \text{ ms}^{-2}$

## SOUND PRESSURE INFORMATION

Sound Pressure Level at the Operator Position measured in accordance with European Standard EN 836:

Measured Sound Pressure Level  $L_{PA} = 82 \text{ dB(A)}$

Uncertainty of measurement  $K = 2 \text{ dB(A)}$

Serial No.

# Hayterette - Parts List

Code 005G