



HAYTER

MAKERS OF THE FINEST MOWERS

Motif - Parts List

Codes 432G, 433G, 434G, and 435G

Issue : 03.02.10

Codes: From Serial

432G 31000001 onwards

433G 31000001 onwards

434G 31000001 onwards

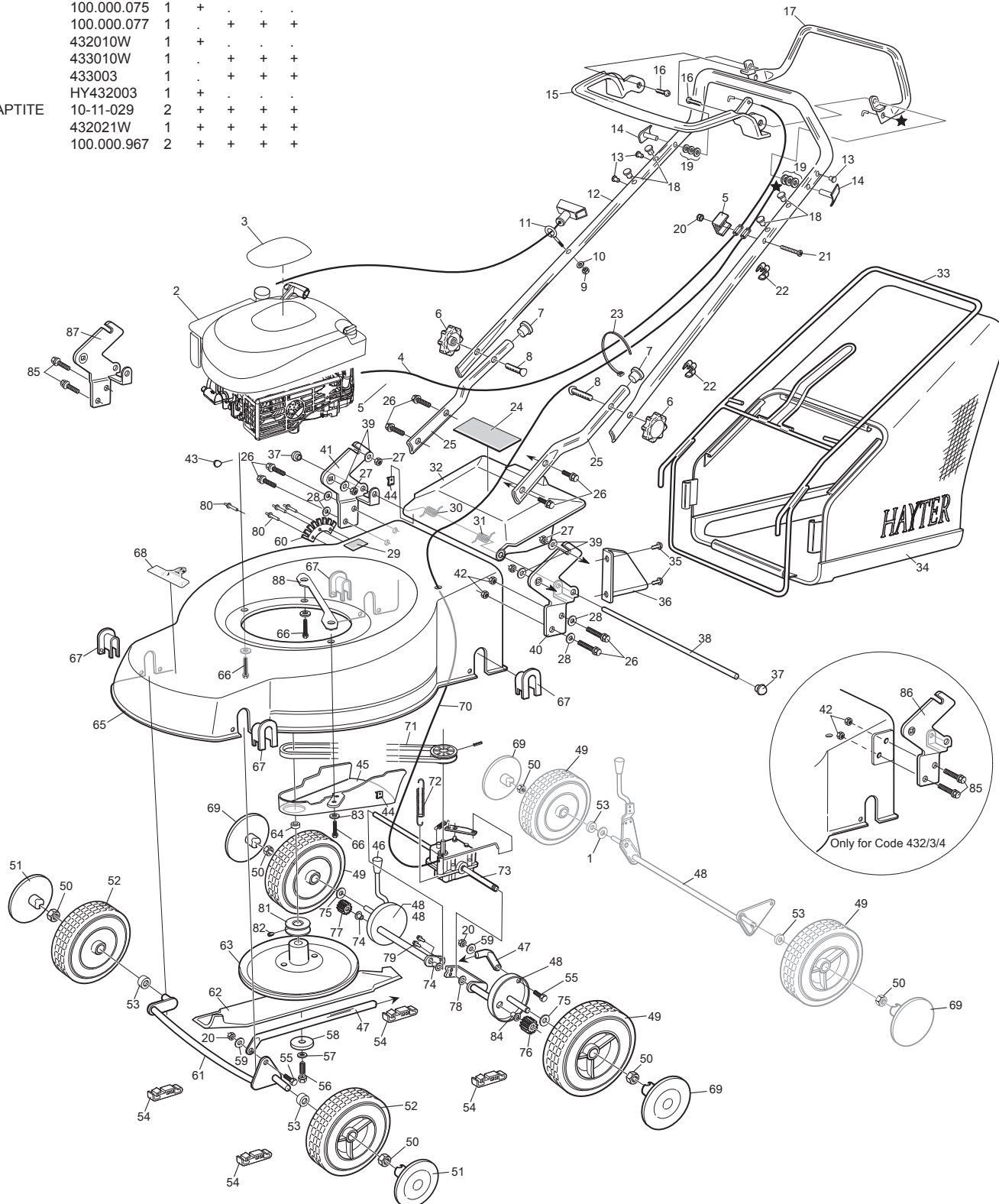
435G 31000001 onwards

Full Assembly

Item No	Description	Part No.	QTY	432	433	434	435	Item Note
01	WASHER PLAIN M12	HY09485	1	+	.	.	.	
02	ENGINE B&S SERIES 650 XVB COVER	111-3071	1	+	+	+	+	
03	DECAL ENGINE MOTIF 41(RS)	111-3209	1	+	.	.	.	
03	DECAL ENGINE MOTIF 48(RS)	111-3210	1	.	+	+	.	
03	DECAL ENGINE MOTIF 53(RS)	111-3211	1	.	.	.	+	
04	CABLE ENGINE BRAKE	111-3342	1	+	+	+	.	
04	CABLE ENGINE BRAKE	111-3343	1	.	.	.	+	
05	FITTING HANDLEBAR	411035	1	+	+	+	+	
06	KNOB M8 HANDLEBAR	480088	2	+	+	+	+	
07	PLUG TUBE 7/8**16g E	300160	2	+	+	+	+	
08	BOLT HANDLEBAR M8*45	HY226024	2	+	+	+	+	
09	NUT M6 NYLOC 'P' TYPE GD 8	09544	1	+	+	+	+	
10	WASHER PLAIN M6*12*1.6	09472	1	+	+	+	+	
11	GUIDE ROPE	305093	1	+	+	+	+	
12	UPPER HANDLEBAR	305145W	1	+	+	+	+	
13	FASTENER DRIVE 6.5	341033	3	+	+	+	+	
14	PIN PIVOT	340182	2	+	+	+	+	
15	LEVER ENGINE	340179	1	+	+	+	+	
16	SCREW DIA 6*20 PT PAN FLANGE	09687	2	+	+	+	+	
17	LEVER CLUTCH (BLACK)	111-1921-03	1	.	.	+	.	
18	FASTENER DRIVE	300144	4	+	+	+	+	
19	WASHER NYLON 19*11*1.6	09688	6	+	+	.	.	
19	WASHER NYLON 19*11*1.6	09688	2	.	.	+	+	
20	NUT M6 NYLOC 'T' TYPE	09438	2	+	.	.	.	
20	NUT M6 NYLOC 'T' TYPE	09438	4	.	+	+	+	
21	BOLT M6*40	ZBH1F040U	1	+	+	+	+	
22	GUIDE CABLE	410037	2	+	+	+	+	
23	CABLE TIE	HY3966	1	+	+	+	+	
24	DECAL - SAFETY PETROL	111-0083	1	+	+	+	+	
25	HANDLEBAR LOWER	432001W	2	+	+	+	+	
26	SETSCREW M8*20	09368	4	+	+	+	.	
26	SETSCREW M8*20	09368	8	.	.	.	+	
27	NUT M8 NYL INSERT T TYPE	09441	4	+	+	+	+	
28	WASHER M8*17*1.6	09475	4	+	+	+	+	
29	LABEL HEIGHT OF CUT	320006	1	+	+	+	+	
30	SPRING TORSION REAR DEFL. RH	100.000.826	1	+	+	+	+	
31	SPRING TORSION REAR DEFL. LH	100.000.825	1	+	+	+	+	
32	REAR DEFLECTOR 42	100.000.075	1	+	.	.	.	
32	REAR DEFLECTOR 48	100.000.077	1	.	+	+	+	
33	FRAME GRASSBAG 42	432010W	1	+	.	.	.	
33	FRAME GRASSBAG 48/53	433010W	1	.	+	+	+	
34	FABRIC GRASSBAG	433003	1	.	+	+	+	
34	FABRIC GRASSBAG	HY432003	1	+	.	.	.	
35	SCREW PAN HEAD M5*12 TAPTITE	10-11-029	2	+	+	+	+	
36	PLATE DISCHARGE	432021W	1	+	+	+	+	
37	STARLUX END CAP 6MM	100.000.967	2	+	+	+	+	

Item No	Description	Part No.	QTY	432	433	434	435	Item Note
38	DEFLECTOR PIN 6*360	432007	1	+	.	.	.	
38	DEFLECTOR PIN 6*385	433007	1	.	+	+	+	
39	WASHER PLAIN 5/16**1*16G	09270	4	+	.	.	+	
40	BRACKET HANDLEBAR LH	433017W	1	+	.	.	.	
40	BRACKET HANDLEBAR LH	435017W	1	.	.	.	+	
41	BRACKET HANDLEBAR RH	433018W	1	+	.	.	.	
41	BRACKET HANDLEBAR RH	435018W	1	.	.	.	+	
42	RIVET NUT M8	100.004.493	4	.	.	.	+	
43	KEY WOODRUFF 3/16**5/8"	1662	1	+	+	+	+	
44	CLIP BELT COVER	100.000.801	2	.	+	+	+	
45	BELT COVER 48	100.000.800	1	.	+	+	.	
45	BELT COVER 53	100.024.883	1	.	.	.	+	
46	KNOB HOC-GRIFF	100.000.828	1	+	+	+	+	
47	CONNECTING ROD	432005W	1	+	.	.	.	
47	CONNECTING ROD 48 PUSH	433011W	1	.	+	.	.	
47	CONNECTING ROD 48 A/D	434003W	1	.	.	+	.	
47	CONNECTING ROD 53	435014W	1	.	.	.	+	
48	AXLE REAR 41 PUSH W/A	432027W	1	+	.	.	.	
48	AXLE REAR 48 PUSH W/A	433016W	1	.	+	.	.	
48	AXLE REAR 48 A/D RH W/A	434014W	1	.	.	+	.	
48	AXLE REAR 48/53 A/D LH W/A	434015W	1	.	.	.	+	
48	AXLE REAR 53 A/D RH W/A	435011W	1	.	.	.	+	
49	WHEEL REAR 200 WAFFEL	100.000.401	2	+	+	.	.	
49	WHEEL REAR A/D 200 WAFFEL	100.000.403	2	.	.	+	+	
50	M12 NYLOC EXTRA THIN	100.000.604	4	+	+	+	+	
51	TRIM WHEEL 180 BLACK(RADCAPPE)	100.033.691	2	+	+	+	+	
52	WHEEL FRONT 180 WAFFEL	100.022.836	2	+	+	+	+	
53	AXLE SPACER	100.000.792	4	+	+	.	.	
53	AXLE SPACER	100.000.792	2	.	.	+	+	
54	AXLE RETAINER	100.000.897	4	+	+	+	+	
55	M6*6 SHOULDER SCREW	100.000.576	2	+	+	+	+	
56	BOLT UNF	09118	1	+	+	+	+	
57	WASHER SPRING 3/8 SC	09273	1	+	+	+	+	
58	DISTANCE PIECE CUTTERBAR	HY4014	1	+	+	+	+	
59	WASHER M6	100.000.630	2	+	+	+	+	
60	PLATE RATCHET HOC	432020W	1	+	+	+	+	

Full Assembly



Motif - Parts List

Codes 432G, 433G, 434G, and 435G

PartNumber:- 111-3314-C

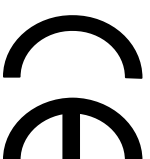
Full Assembly

Item No	Description	Part No.	QTY	432	433	434	435	Item Note
61	AXLE FRONT 41 W/A	432019W	1	+
61	AXLE FRONT 48 W/A	433014W	1	.	+	+	.	.
61	AXLE FRONT 53 W/A	435013W	1	.	.	.	+	.
62	CUTTERBAR 525 MM	435005	1	.	.	.	+	.
62	CUTTERBAR 19"	480149	1	.	+	+	.	.
62	CUTTERBAR 16"	HY201026	1	+
63	FRICITION DISC W/A (BLACK)	397042W	1	+	+	+	+	.
64	SPACER LARGE	111-3705	1	+
65	DECK W/A (GREEN)	111-0704-08	1	+
65	DECK (GREEN)	111-0962-08	1	.	+	+	.	.
65	DECK 53 W/A	435007V	1	.	.	.	+	.
66	SCREW TAPTITE UNC 3/8"*1 1/4"	09349	3	+	+	+	+	.
66	SCREW TAPTITE UNC 3/8"*1 1/4"	09349	4	.	.	.	+	.
67	AXLE SUPPORT	100.000.895	4	+	+	+	+	.
68	DECAL (HAYTER, LOGO 03)	410087	1	+	+	+	+	.
69	TRIM WHEEL 200 BLACK	100.033.711	2	+	+	+	+	.
70	CLUTCH CABLE	111-3363	1	.	.	.	+	.
71	BELT DRIVE 48	100.004.594	1	.	.	.	+	.
71	BELT DRIVE 53	100.014.919	1	.	.	.	+	.
72	SPRING TENSION - GEARBOX	100.000.819	1	.	.	.	+	.
73	GEARBOX 48	100.004.615	1	.	.	.	+	.
73	GEARBOX 53	100.004.816	1	.	.	.	+	.
74	BUSH FLANGED 325MKS	100.000.886	2	.	.	.	+	.
75	WASHER 13 DIN 9021-ST	100.000.634	2	.	.	.	+	.
76	GEAR DRIVE ASSY LH	110.002.454	1	.	.	.	+	.
77	GEAR DRIVE ASSY RH	110.002.455	1	.	.	.	+	.
78	WASHER 13 DIA	100.000.621	1	.	.	.	+	.
79	SCREW TAPTITE M6*12 W/HD	09546	2	.	.	.	+	.
80	RIVET, POP .187DIA	MU710259	4	+	+	+	+	.
81	PULLEY DRIVE	434001	1	.	.	.	+	.
82	GRUBSCREW M6*10 SOC HD	09619	1	.	.	.	+	.
83	WASHER 10.5 DIA * 30 O/D * 2.5	100.000.632	1	.	.	.	+	.
84	OILITE BUSH FLANGED 12.35X16X1	111-1171	1	.	.	.	+	.
85	SCREW TAPTITE M8*25 HEX W.HD	09787	4	.	+	.	.	.
86	BRACKET HANDLEBAR LH	111-0964-03	1	.	.	.	+	.
87	BRACKET HANDLEBAR RH	111-0965-03	1	.	.	.	+	.
88	PLATE ENGINE	111-4074	1	+

Motif - EC Declaration Of Conformity

EC DECLARATION OF CONFORMITY

Manufactured by: HAYTER LIMITED,
 Address: Spellbrook, Bishop's Stortford, Herts. CM23 4BU, ENGLAND
 declare that the lawnmower :



Model name:	Motif 41 Push	Motif 48 Push	Motif 48 Autodrive	Motif 53 Autodrive
Type:	Pedestrian rotary	Pedestrian rotary	Pedestrian rotary	Pedestrian rotary
Model No:	CODE 432G	CODE 433G	CODE 434G	CODE 435G
Cutting width:	41 cm	48 cm	48 cm	53 cm
Speed of rotation of the cutting device:	2750 rpm	2750 rpm	2750 rpm	2750 rpm
Engine manufacturer:	Briggs & Stratton	Briggs & Stratton	Briggs & Stratton	Briggs & Stratton
Speed of rotation of engine:	2750 rpm	2750 rpm	2750 rpm	2750 rpm

Complies with the provisions of Directive: 2006/42/EC Essential Health & Safety Requirements Relating to the Design & Construction of Machinery and Safety Components and the regulations transposed into national law.

Also Directive 2004/108/EEC Electromagnetic Compatibility and the regulations transposed into national law.
 Also Directive 2000/14/EC Noise emission in the environment by equipment for use outdoors, as amended and the regulations transposed into national law.

Procedure applied for the conformity assessment: ANNEX VI, procedure 1.

Notified Body: Sound Research Laboratories Ltd, Holbrook House, Little Walingfield, Sudbury, Suffolk. CO10 0TH, ENGLAND
 Notified body identification No: 1088

Measured sound power level: 95 dB(A) 95 dB(A) 95 dB(A) 97 dB(A)
 Guaranteed sound power level: 96 dB(A) 96 dB(A) 96 dB(A) 98 dB(A)

Signed

Date: 26.10.09
 Declaration done and technical documentation kept at:
 HAYTER LIMITED
 Spellbrook, Bishop's Stortford,
 Herts. CM23 4BU ENGLAND

VIBRATION INFORMATION

Hand / Arm Vibration Level at the Operator Position measured in accordance with European Standard EN 836:

Measured Vibration Level $ahv =$	432	433	434	435
Uncertainty of measurement K =	8 ms^{-2}	6 ms^{-2}	6 ms^{-2}	7 ms^{-2}
	1.5 ms^{-2}	1.5 ms^{-2}	1.5 ms^{-2}	1.5 ms^{-2}

SOUND PRESSURE INFORMATION

Sound Pressure Level at the Operator Position measured in accordance with European Standard EN 836:

Measured Sound Pressure Level L _{PA} =	83.5 dB(A)	84.5 dB(A)	84.5 dB(A)	87 dB(A)
Uncertainty of measurement K =	2 dB(A)	2 dB(A)	2 dB(A)	2 dB(A)

Serial No.