

| | | | | | |
|--|--------------------------------------|-------------|---|--|----------|
| Material No: | 111-9977 | Rev: | A | Release/Change Authorization Number : | 5116670 |
| Description: | PARTS LIST ENVOY 36 [100J:EN] | | | Issue Date : | 26/07/16 |
| HAYTER General Document | Supersedes : | | | | |
| | Superseded By : | | | | |
| | Created By : | | | | TH |
| | Scale : | | | | NONE |
| | | | | | |
| <small>THIS UNPUBLISHED DOCUMENT CONTAINS HAYTER CONFIDENTIAL AND PROPRIETARY INFORMATION. IT MAY NOT BE WHOLLY OR PARTIALLY COPIED, DISCLOSED TO OTHERS, OR USED FOR ANY PURPOSE WITHOUT WRITTEN PERMISSION FROM HAYTER. IF PUBLICATION OCCURS, THE FOLLOWING NOTICE APPLIES: "© HAYTER ALL RIGHTS RESERVED".</small> | | | | | |
| Reason for Revision: | RELEASE TO PRODUCTION | | | | |

CONFIDENTIAL

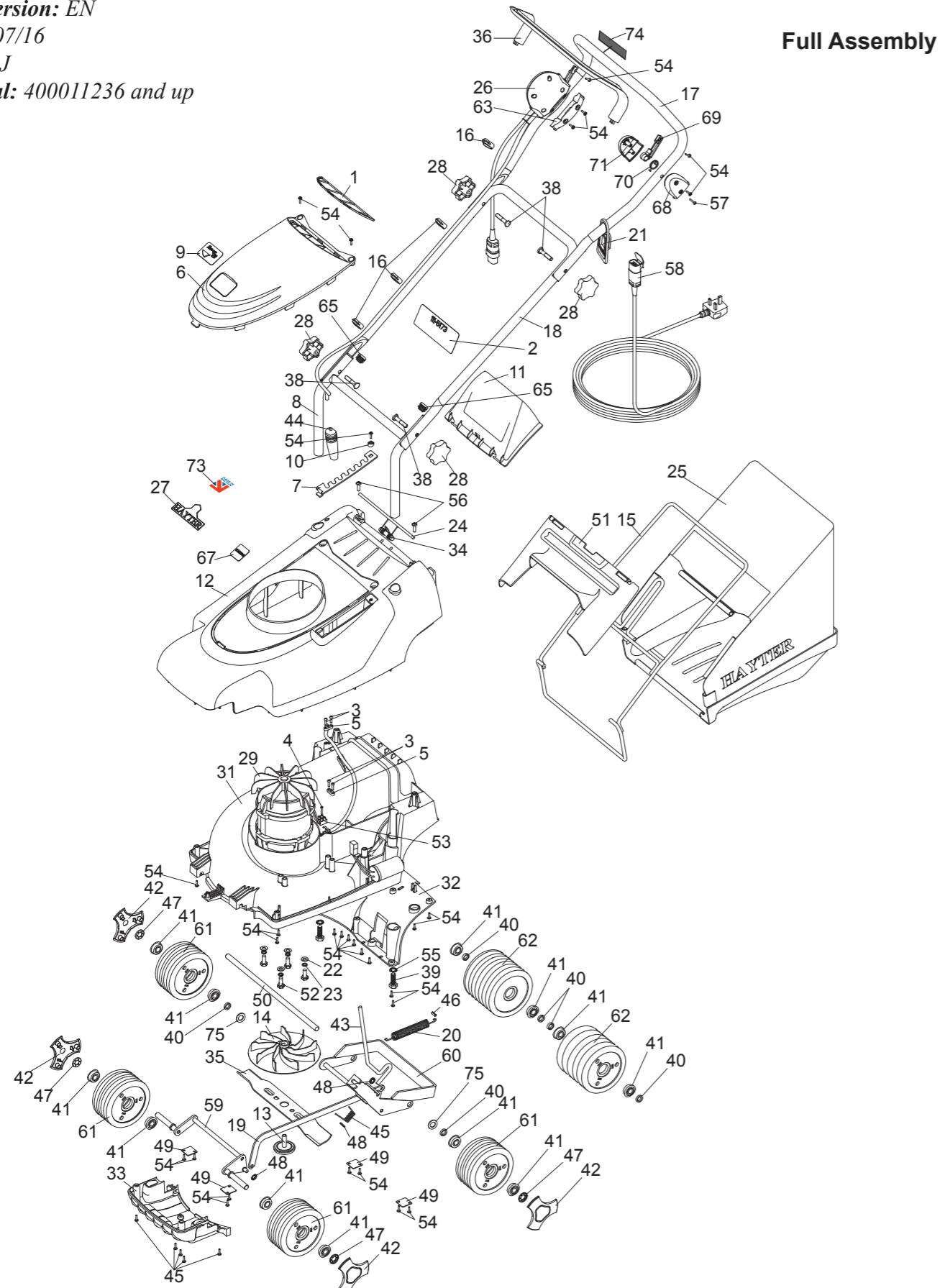
Envoy 36 Electric - Spare Parts List

Original Version: EN

Issue : 22/07/16

Codes: 100J

From Serial: 400011236 and up



Full Assembly

Full Assembly

| Item No | Description | Part No. | QTY | Item Note |
|---------|---------------------------------|-------------|-----|-----------|
| 1 | VENT MESH ASM | 111-0074 | 1 | |
| 2 | DECAL-SAFETY ELECTRIC | 111-5173 | 1 | |
| 3 | SCREW | 111-0094 | 4 | |
| 4 | SCREW | 111-0106 | 1 | |
| 5 | CLAMP-CABLE | 111-0117 | 2 | |
| 6 | MOTOR COVER | 111-0538 | 1 | |
| 7 | PLATE-HOC | 111-0539 | 1 | |
| 8 | HANDLEBAR-LOWER | 111-0540-03 | 1 | |
| 9 | DECAL ENVOY ELECTRIC | 111-4441 | 1 | |
| 10 | COVER-SCREW HOC | 111-0543 | 1 | |
| 11 | DEFLECTOR-REAR | 111-1042 | 1 | |
| 12 | TOP COVER | 111-1055 | 1 | |
| 13 | BOLT-FIXING CUTTERBAR (NYLON) | 111-9966 | 1 | |
| 14 | CARRIER-CUTTERBAR | 100014 | 1 | |
| 15 | FRAME-GRASSBAG | 100016-03 | 1 | |
| 16 | CLIP-CABLE | 100023 | 4 | |
| 17 | HANDLEBAR-UPPER | 100024 | 1 | |
| 18 | HANDLEBAR-MIDDLE | 100025-03 | 1 | |
| 19 | ROD-CONNECTING | 100037 | 1 | |
| 20 | SPRING-COUNTER BALANCE | 100080 | 1 | |
| 21 | CLEAT-CABLE | 100105 | 1 | |
| 22 | WASHER | 09475 | 4 | |
| 23 | WASHER-SPRING | 03469 | 4 | |
| 24 | ROD-DEFLECTOR | 100126 | 1 | |
| 25 | GRASSBAG FABRIC AND BOTTOM ONLY | 100513 | 1 | |
| 26 | SWITCH AND LEAD ASSY | 100515 | 1 | |
| 27 | DECAL | 410087 | 1 | |
| 28 | KNOB-HANDLEBAR | 480088 | 4 | |
| 29 | MOTOR (1.4 Kw) | 111-7714 | 1 | |
| 31 | UNDERDECK | HY100003 | 1 | |
| 32 | THROWPLATE | HY100004 | 1 | |
| 33 | FINS | HY100006 | 1 | |
| 34 | SPRING-DEFLECTOR | 111-7417 | 1 | |
| 35 | CUTTERBAR | HY100012 | 1 | |
| 36 | ARM-BAIL | HY100017 | 1 | |
| 38 | BOLT-HANDLEBAR | HY226024 | 4 | |
| 39 | SCREW HH | 09392 | 2 | |
| 40 | SPACER-WHEEL, REAR | HY100030 | 6 | |
| 41 | BEARING-WHEEL | HY100033 | 12 | |
| 42 | HUB CAP | HY100036 | 4 | |
| 43 | LEVER-HOC | HY100038 | 1 | |
| 44 | KNOB-HOC | HY100039 | 1 | |
| 45 | SPRING-HOC | HY100041 | 1 | |
| 46 | PIN-SPRING HOC | HY100042 | 1 | |
| 47 | WASHER-STARLOCK 12mm | HY100047 | 4 | |
| 48 | WASHER-STARLOCK 8mm | 0201086 | 3 | |
| 49 | PLATE-PIVOT AXLE | HY100064 | 4 | |
| 50 | ROD-AXLE REAR | HY100068 | 1 | |
| 51 | TOP-GRASSBAG TOP | HY100075 | 1 | |
| 52 | BOLT-MOTOR | HY100076 | 4 | |
| 53 | BLOCK-TERMINAL | HY100077 | 1 | |
| 54 | SCREW | HY100078 | 34 | |

Envoy 36 Electric - Spare Parts List

Full Assembly

| Item No | Description | Part No. | QTY | Item Note |
|----------------|--------------------------|-----------------|------------|------------------|
| 55 | WASHER | HY100079 | 2 | |
| 56 | SCREW-PPH THREAD FORMING | 09687 | 2 | |
| 57 | SCREW-PPH THREAD FORMING | HY100128 | 1 | |
| 58 | MAIN LEAD | HY100135 | 1 | |
| 59 | FRONT AXLE ASM | HY100503 | 1 | |
| 60 | REAR AXLE ASM | HY100504 | 1 | |
| 61 | WHEEL ASM | HY100505 | 4 | |
| 62 | WHEEL ASSY WIDE | HY100506 | 2 | |
| 63 | SWITCH LEFT LOWER | HY100021 | 1 | |
| 65 | PLUG-TUBE | 300160 | 2 | |
| 67 | DECAL-HOC | 320006 | 1 | |
| 68 | MOUNT LEFT | 100085 | 1 | |
| 69 | LEVER MOUNT | HY100088 | 1 | |
| 70 | SPRING BAILARM | HY100087 | 1 | |
| 71 | MOUNT RIGHT | 100086 | 1 | |
| 73 | DECAL - MADE IN BRITAIN | 111-7722 | 1 | |
| 74 | DECAL, RESTARTING MOTOR | 111-7418 | 1 | |
| 75 | WASHER-PLAIN | ZWP1L000U | 2 | |