

# Hayterette - Parts List

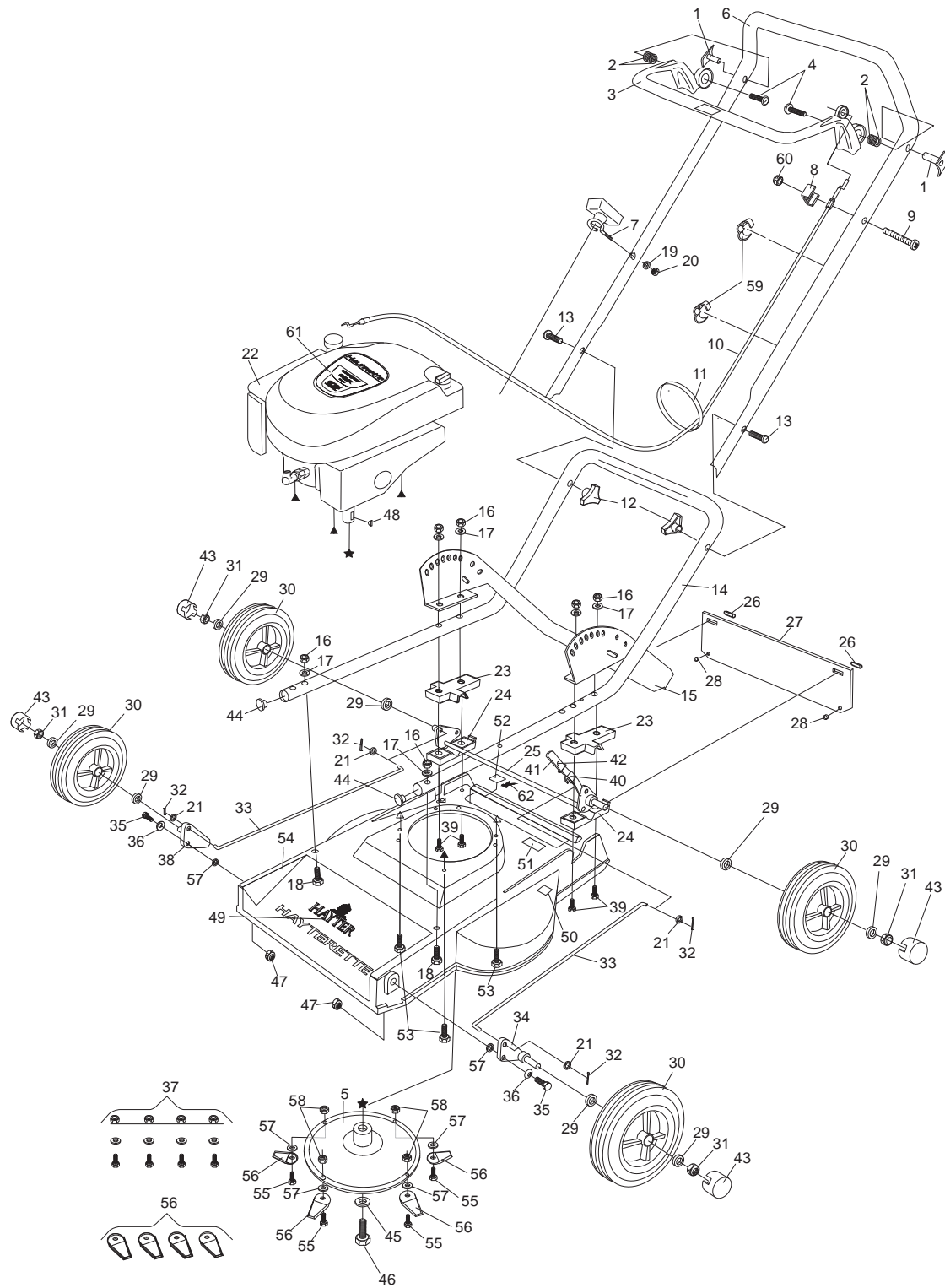
Original Version: EN

Issue : 04.10.13

Codes: 005H

From Serial: 314000001 and up

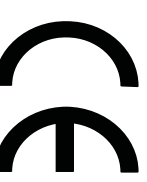
## Main Assembly



Item No	Description	Part No.	QTY	Notes	Item No	Description	Part No.	QTY	Notes
1	PIN - PIVOT	340182	2		32	PIN - SPLIT 1/2" X 3/32" DIAMETER	09303	4	
2	WASHER - 19MM NYLON	09688	6		33	CONNECTING ROD	005135	2	
3	LEVER - ENGINE	340197	1		34	AXLE - FRONT W/A L/H	005116	1	
4	SCREW - 6MM X 20	09687	2		35	BOLT - AXLE PIVOT	005129	2	
5	BOTTOM PLATE	HY2811	1		36	SPRING - DISC 31.8X16X1.02MM	HY4912	2	
6	HANDLEBAR - UPPER	111-0518-03	1		37	CUTTERBLADES BOLT - KIT (SET OF 4)	HY590	1	Inc items 55,57 & 58
7	GUIDE - ROPE	305093	1		38	AXLE - FRONT W/A R/H	005115	1	
8	HANDLEBAR FITTING	411035	1		39	BOLT - M8 X 75	ZBH1H075U	4	
9	BOLT M6 x 40	ZBH1F040U	1		40	CLIP - SPRING HANDLE RETAINING	HY4884	1	
10	CABLE - ENGINE BRAKE	111-3291	1		41	HANDLE GRIP - BLACK	HY4097	1	
11	TIE - CABLE	HY3966	1		42	RIVET	09320	1	
12	HANDWHEEL - TRIANGULAR	226013	2		43	HUB CAP	111-1251	4	
13	BOLT - M8 X 45 HANDLEBAR	HY226024	2		44	PLUG - TUBE 7/8"	300160	2	
14	HANDLEBAR - LOWER	005121W	1		45	WASHER - 3/8" SPRING S/C	09273	1	
15	FOOTGUARD	005139W	1		46	SCREW - 3/8" UNF X 1" LONG	09114	1	
16	NUT - M8 NYLOC	09442	6		47	NUT - 3/8" UNF NYLOC	09216	2	
17	WASHER - M8 PLAIN	09475	6		48	KEY - WOODRUFF	1662	1	
18	BOLT - M8 X 45	09654	2		49	DECAL - HAYTER	410087	1	
19	WASHER - M6 PLAIN	09472	1		50	DECAL - HEIGHT OF CUT	320006	1	
20	NUT - M6 NYLOC	09544	1		51	DECAL - CAUTION	111-0083	1	
21	5/16" X 5/8" O/D WASHER	09266	4		52	DECAL - SERIAL NO.	-----	1	
22	ENGINE B&S SERIES 650 XVB	111-6624	1		53	SCREW TAPTITE UNC 3/8" x 1 1/4" LONG	09349	3	
23	BEARING BLOCK - UPPER	005146	2		54	DECK	005140V	1	
24	BEARING BLOCK - LOWER	005145	2		55	CUTTERBLADE BOLT	HY6306	4	
25	AXLE - REAR ASSEMBLY	005119	1		56	CUTTERBLADE 'C' TYPE (SET OF 4)	2779	1	
26	PIN - SPRING	254013	2		57	PLAIN WASHER 3/8" X 1 1/4"	02394	6	
27	FLAP - REAR	005097	1		58	NUT - 3/8" UNF NYLOC	09215	4	
28	GROMMET - RUBBER	HY6289	2		59	CABLE GUIDE	410037	2	
29	BEARING	HY5221	8		60	NUT M6 NYLOC T TYPE	09438	1	
30	WHEEL - 8"	111-1479	4	Inc item 29	61	DECAL ENGINE HAYTERETTE (RS)	111-6659	1	
31	Nut - 1/2" UNF Nyloc	HY4486	4		62	DECAL MADE IN BRITAIN	111-6625	1	

# Hayterette - Declaration Of Conformity

## EC DECLARATION OF CONFORMITY



Manufactured by: HAYTER LIMITED,  
Address: Spellbrook, Bishop's Stortford, Herts. CM23 4BU. ENGLAND  
declare that the lawnmower :

Model name:	<b>Hayterette Push</b>
Type:	Pedestrian rotary
Model No.:	CODE 005
Cutting width:	46 cm
Speed of rotation of the cutting device:	2750 rpm
Engine manufacturer:	Briggs and Stratton
Speed of rotation of engine:	2750 rpm
Serial No. Range:	314000001 and up

Complies with the provisions of Directive: 2006/42/EC Essential Health & Safety Requirements Relating to the Design & Construction of Machinery and Safety Components and the regulations transposed into national law.

Also Directive 2004/108/EEC Electromagnetic Compatibility and the regulations transposed into national law.

Also Directive 2000/14/EC Noise emission in the environment by equipment for use outdoors, as amended and the regulations transposed into national law.

Procedure applied for the conformity assessment: ANNEX VI, procedure 1.

Notified Body: Sound Research Laboratories Ltd, Holbrook House, Little Waldingfield,  
Sudbury, Suffolk. CO10 0TH. ENGLAND

Notified body identification No: 1088

Measured sound power level:	94 dB(A)
Guaranteed sound power level:	96 dB(A)

Signed

S.A Maryniak  
(Technical Director)

Date: 18.09.13  
Declaration done and technical documentation kept at:  
HAYTER LIMITED  
Spellbrook, Bishop's Stortford,  
Herts. CM23 4BU ENGLAND

### VIBRATION INFORMATION

Hand / Arm Vibration Level at the Operator Position measured in accordance with European Standard EN 836:

Measured Vibration Level ahv =	<b>4</b>	ms <sup>-2</sup>
Uncertainty of measurement K =	<b>1.5</b>	ms <sup>-2</sup>

### SOUND PRESSURE INFORMATION

Sound Pressure Level at the Operator Position measured in accordance with European Standard EN 836:  
Measured Sound Pressure Level LPA = **82** dB(A)  
Uncertainty of measurement K = **2** dB(A)

Serial No.